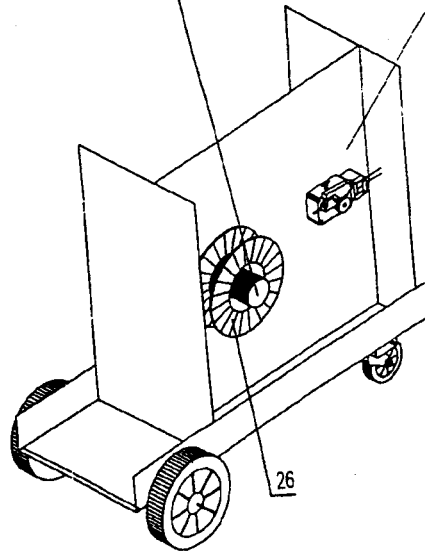
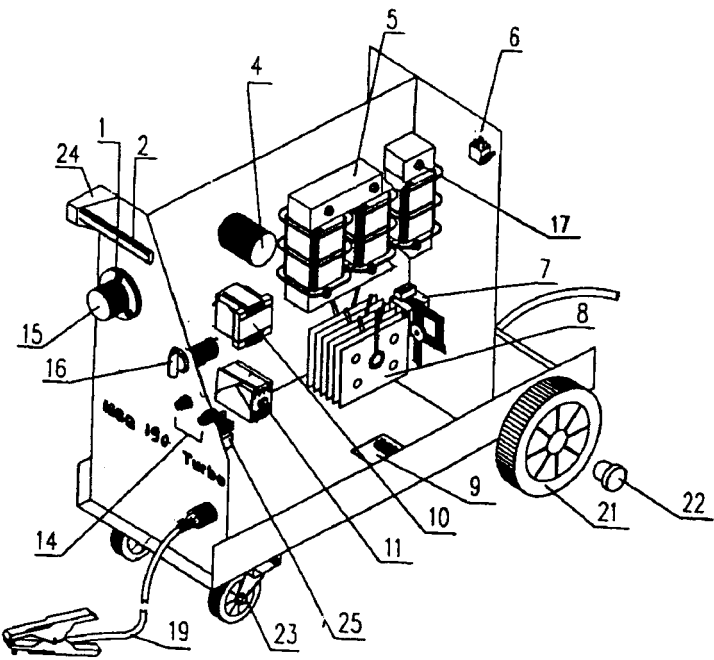
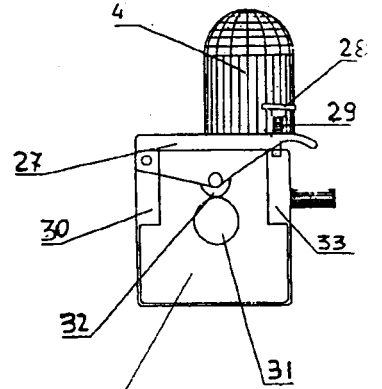
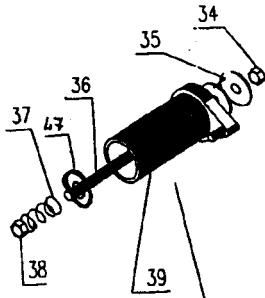
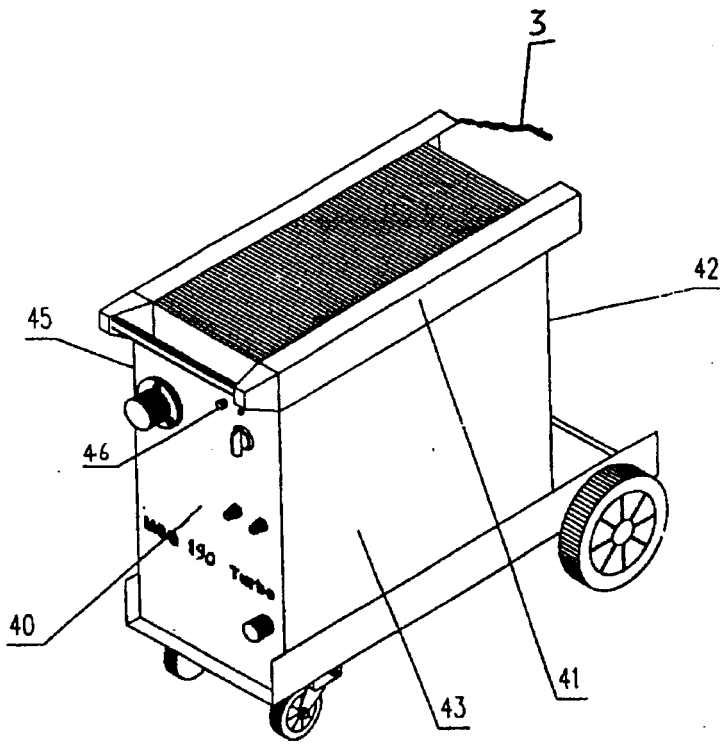


# AUTOMIG 235 DIAGRAM



Original Date:	19/5/95
Issue Date:	19/5/95
Version Number:	2
Date Modified:	



# AUTOMIG 235

## - PARTS LIST

Index		
no.	Stock Code	Description
1	331/190101	Protection TE 12/15
2	331/190102	Handle
3	331/190103	Chain
4	331/235104	Wire Feed Motor, 24V
5	331/235105	Power Transformer
6	331/190106	Solenoid Valve, 24V
7	331/190107	Fan, 240V
8	331/235108	Rectifier Bridge
9	331/190109	Terminal Board
10	331/190110	Auxilliary Transformer
11	331/190111	Remote Control Switch
14	331/190114	Wire Speed Regulator
15	331/190115	Centralized Connection
16	331/191116	Commutator 7+0 12A
17	331/190117	Reactor
19	120/712030	Earth Clamp
	CC16/1	Copper Earth Cable, 2m
21	331/190121	Wheel, Ø 175
22	331/190122	Hub Cap
23	331/190123	Swivel Wheel, Ø 80
24	331/190124-L	Left Bracket
	331/190124-R	Right Bracket
25	331/190125	Electronic Card
26	331/190126	Reel
27	331/235127	Wire Feed Lever
28	331/235128	Wire Lock Screw
29	331/235129	Spring
30	331/235130	Sheath Lock
31	331/190131	Roller, 0.6-0.8 mm
	331/190190	Roller, 0.8-1.0 mm
32	331/235132	Bearing
33	331/235133	Centralised Connection Lock
34	331/190134	Nut
35	331/190135	Washer
36	331/190136	Reel Holder Pin
37	331/190137	Spring
38	331/190138	Nut
39	331/190139	Reel Holder
40	331/235140	Front Panel
41	331/235141	Lid
42	331/190142	Rear Panel
43	331/235143	Side
45	331/235145	Door
46	331/190146	Fuse, 1.5A
47	331/190147	Washer
48	120/722435	Torch, TB15 3m, Euro-Termination
	331/190152	Axle, Front Wheels

