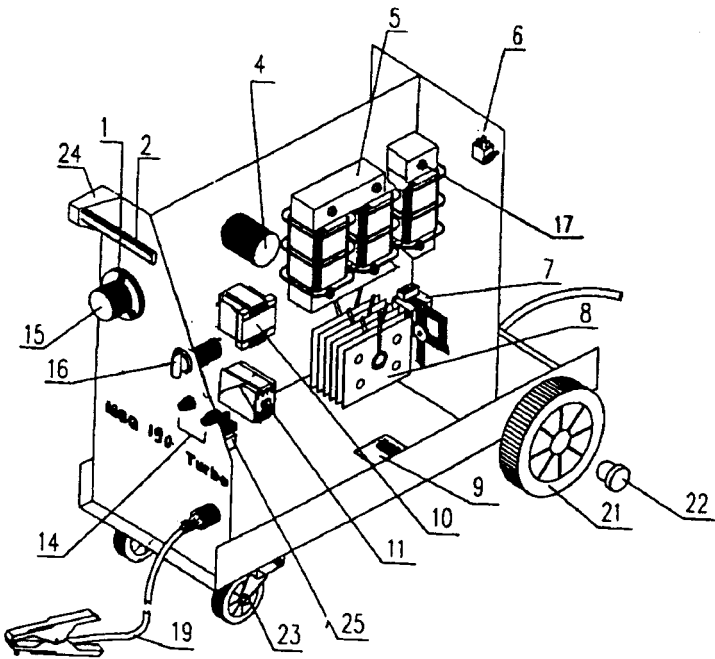
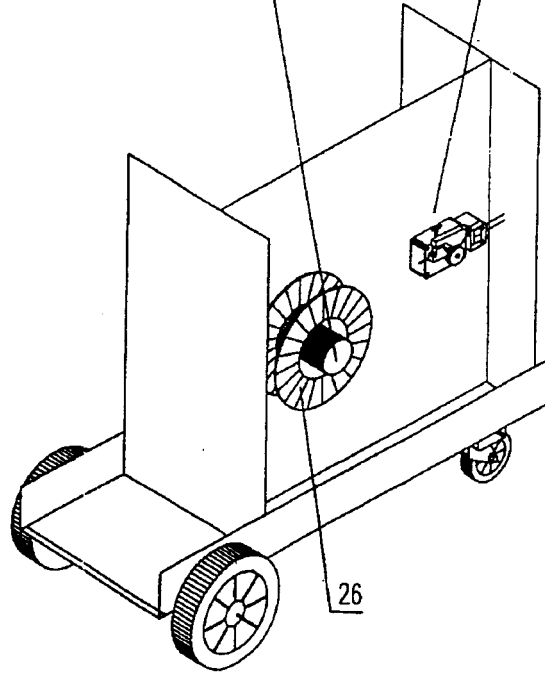
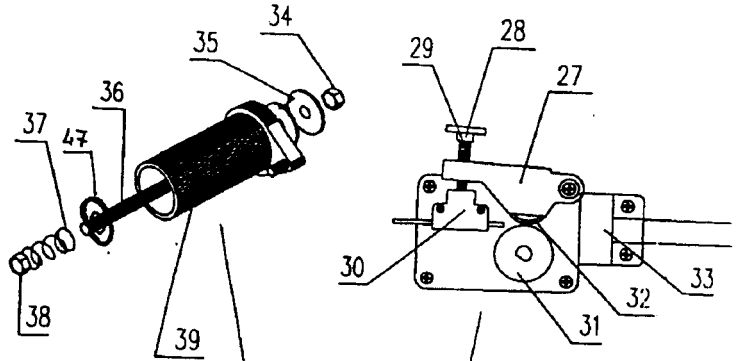
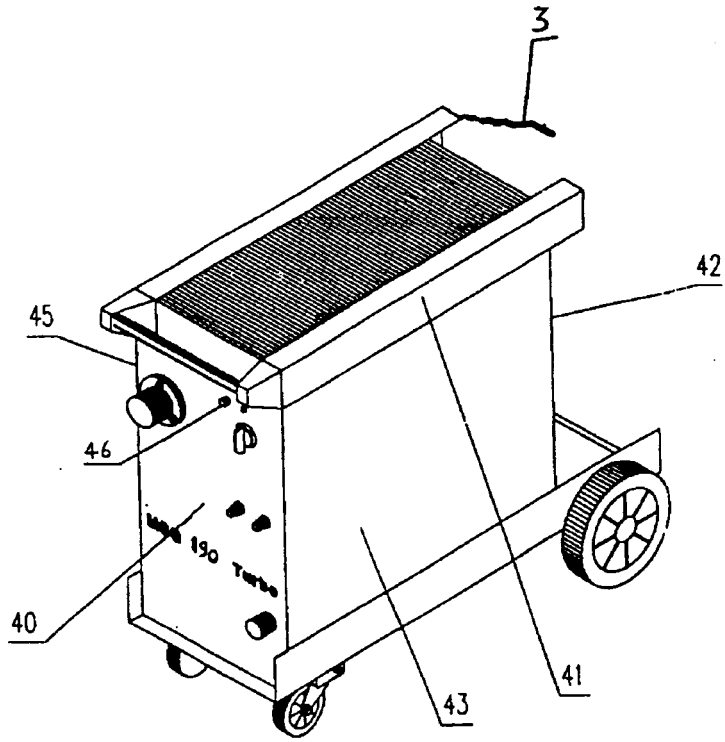


SUPERMIG - AUTOMIG 190

- DIAGRAM



Original Date:	19/5/95
Issue Date:	19/5/95
Version Number:	0
Date Modified:	



SUPERMIG - AUTOMIG 190 - PARTS LIST

Index		
no.	Stock Code	Description
1	331/190101	Protection TE 12/15
2	331/190102	Handle
3	331/190103	Chain
4	331/190104	Wire Feed Motor, 24V
5	331/191105	Power Transformer
6	331/190106	Solenoid Valve, 24V
7	331/190107	Fan, 240V
8	331/190108	Rectifier Bridge
9	331/190109	Terminal Board
10	331/190110	Auxilliary Transformer
11	331/190111	Remote Control Switch
14	331/190114	Wire Speed Regulator
15	331/190115	Centralized Connection
16	331/191116	Commutator 7+0 12A
17	331/190117	Reactor
19	120/712030	Earth Clamp
	CC16/1	Copper Earth Cable, 2m
21	331/190121	Wheel, Ø 175
22	331/190122	Hub Cap
23	331/190123	Swivel Wheel, Ø 80
24	331/190124-L	Left Bracket
	331/190124-R	Right Bracket
25	331/190125	Electronic Card
26	331/190126	Reel
27	331/190127	Wire Feed Lever
28	331/190128	Wire Lock Screw
29	331/190129	Spring
30	331/190130	Sheath Lock
31	331/190131	Roller, 0.6-0.8 mm
	331/190190	Roller, 0.8-1.0 mm (optional)
32	331/190132	Bearing
33	331/190133	Centralised Connection Lock
34	331/190134	Nut
35	331/190135	Washer
36	331/190136	Reel Holder Pin
37	331/190137	Spring
38	331/190138	Nut
39	331/190139	Reel Holder
40	331/190140-2	Front Panel, Supermig 190
	331/190140-3	Front Panel, Automig 190
41	331/235141	Lid
42	331/190142	Rear Panel
43	331/235143	Side
45	331/235145	Door
46	331/190146	Fuse, 1.5A
47	331/190147	Washer
48	120/722435	Torch , TB15 3m, Euro-Termination
	331/190152	Axle, Rear Wheels

