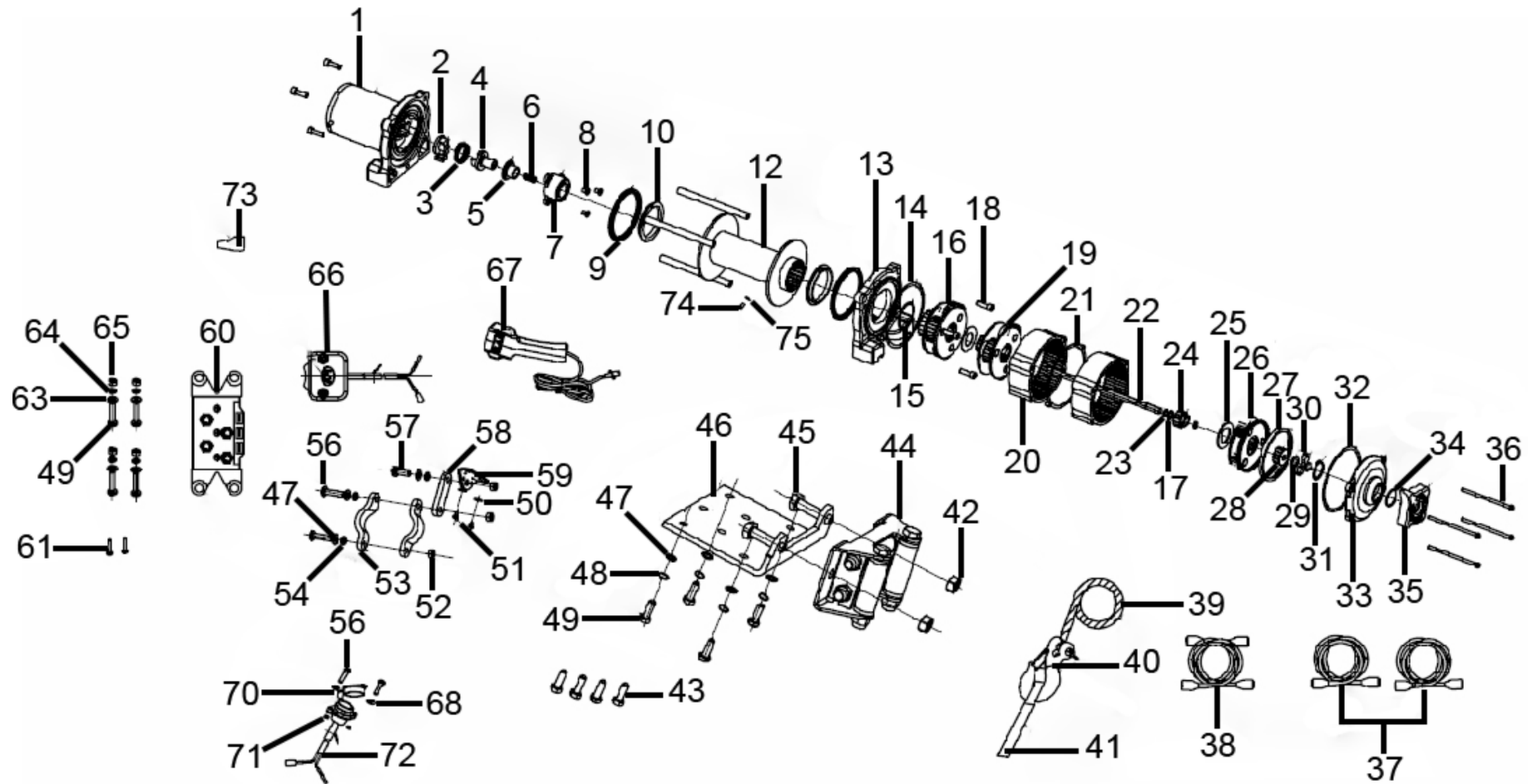




Parts Information:
ATV/Quad Recovery Winch 2040kg (4500lb) Line Pull 12V
Model No: ATV2040



NOTE: It is our policy to continually improve products and as such we reserve the right to alter data, specifications and component parts without prior notice.

There may be alternative versions of this product, please contact us should you require this information.

IMPORTANT: No liability is accepted for incorrect use of product. Spare parts must be fitted by a competent person

WARRANTY: Guarantee is 12 months from purchase date, proof of which will be required for any claim.

Sealey Group, Kempson Way, Suffolk Business Park, Bury St Edmunds, Suffolk. IP32 7AR



01284 757500



01284 703534



sales@sealey.co.uk



www.sealey.co.uk



Parts Information:
**ATV/Quad Recovery Winch 2040kg
 (4500lb) Line Pull 12V
 Model No: ATV2040**

Item	Part No.	Description
1	ATV2040.01	Motor Assembly
2	ATV2040.02	Coupling
3	ATV2040.03	Spring
4	ATV2040.04	Coupling
5	ATV2040.05	Noise Control Pad
6	ATV2040.06	Pressure Spring
7	ATV2040.07	Brake Connecting Base
8	ATV2040.08	Countersunk Head Screw M5 x 10
9	ATV2040.09	Sealing Ring
10	ATV2040.10	Bushing
11	ATV2040.11	Tie Bar
12	ATV2040.12	Drum
13	ATV2040.13	Gear Box Support
14	ATV2040.14	Seal Gasket
15	ATV2040.15	Metal Seal Ring
16	ATV2040.16	3rd Stage Planetary Gear Assembly
17	ATV2040.17	Copper Washer Thin M10
18	SCB620.S	Socket Cap Bolt M6 x 20mm
19	ATV2040.19	2nd Stage Planetary Gear Assembly
20	ATV2040.20	Gear Ring
21	ATV2040.21	Seal
22	ATV2040.22	Hexagon Shaft
23	ATV2040.23	E-Clip
24	ATV2040.24	2nd Stage Sun Gear
25	ATV2040.25	Washer Plastic
26	ATV2040.26	1st Stage Planetary Gear Assembly
27	ATV2040.27	1st Stage Nylon Bushing
28	ATV2040.28	2nd Stage Sun Gear
29	FWM10.S	Flat Washer M10
30	ATV2040.30	Clutch Slider
31	3015CXD.11	External Circlip
32	ATV2040.32	Seal Gasket
33	ATV2040.33	Clutch Support
34	SA0615KIT.08	O-Ring
35	ATV2040.35	Spool Handle
36	ATV2040.36	Hex Cap Screw M4 x 88
37	ATV2040.37	Motor Lead (Yellow)
38	ATV2040.38	Power Lead (Red)

Item	Part No.	Description
39	ATV2040.WR	Wire Rope
40	WH.01	Winch Hook 1/4"
41	ATV2040.41	Hand Saver
42	NLN10.S	Nyloc Nut M10
43	SS830.S	Hex Head Set Screw M8 X 30
44	ATV2040.44	Roller Fairlead
45	CBN1020.S	Coach Bolt M10 x 20mm
46	ATV2040.46	Mounting Plate
47	SN8.S	Steel Nut M8
48	FWM8.S	Flat Washer M8
49	SS625.S	Hex Head Set Screw M6 X 25
50	ATV2040.50	Lock Washer
51	ATV2040.51	Pan Head Screw
52	NLN5.S	Nyloc Nut M5
53	ATV2040.53	Fixed Plate Grip
54	JSW.0001	M5 EXT Tooth Washer
56	SCB525.S	Socket Cap Bolt M5 x 25mm
57	SCB518.S	Socket Cap Bolt M5 x 18mm
58	ATV2040.58	Fixed Plate
59	ATV2040.59	Fixed Plate (L)
60	ATV2040.60	Solenoid
61	SS620.S	Hex Head Set Screw M6 X 20
63	FWM6.SB	Flat Washer M6 Black
64	SWM6.S	Spring Washer M6
65	NLN6.S	Nyloc Nut M6
66	ATV2040.66	Handle Bar Switch, Rocker
67	ATV2040.67	Remote Control
68	FWM5.SB	Flat Washer M5 Black
70	ATV2040.70	Waterproof Cover
71	SN5.SB	Steel Nut M5 Black
72	ATV2040.72	Connector Harness (F)
73	ATV2040.73	Rubber Cover
74	MSP65.S	Machine Screw Pan Head Phillips M6 x 5mm
75	SA77S.V4-19	O-Ring
--	ATV2040.37A	Motor Lead (Blue) (Not Shown)
--	ATV2040.38A	Power Lead (Black) (Not Shown)
--	ATV2040.DR	Dyneema Rope (Not Shown)

NOTE: It is our policy to continually improve products and as such we reserve the right to alter data, specifications and component parts without prior notice. There may be alternative versions of this product, please contact us should you require this information.

IMPORTANT: No liability is accepted for incorrect use of product. Spare parts must be fitted by a competent person

WARRANTY: Guarantee is 12 months from purchase date, proof of which will be required for any claim.

Sealey Group, Kempson Way, Suffolk Business Park, Bury St Edmunds, Suffolk. IP32 7AR



01284 757500



01284 703534



sales@sealey.co.uk



www.sealey.co.uk