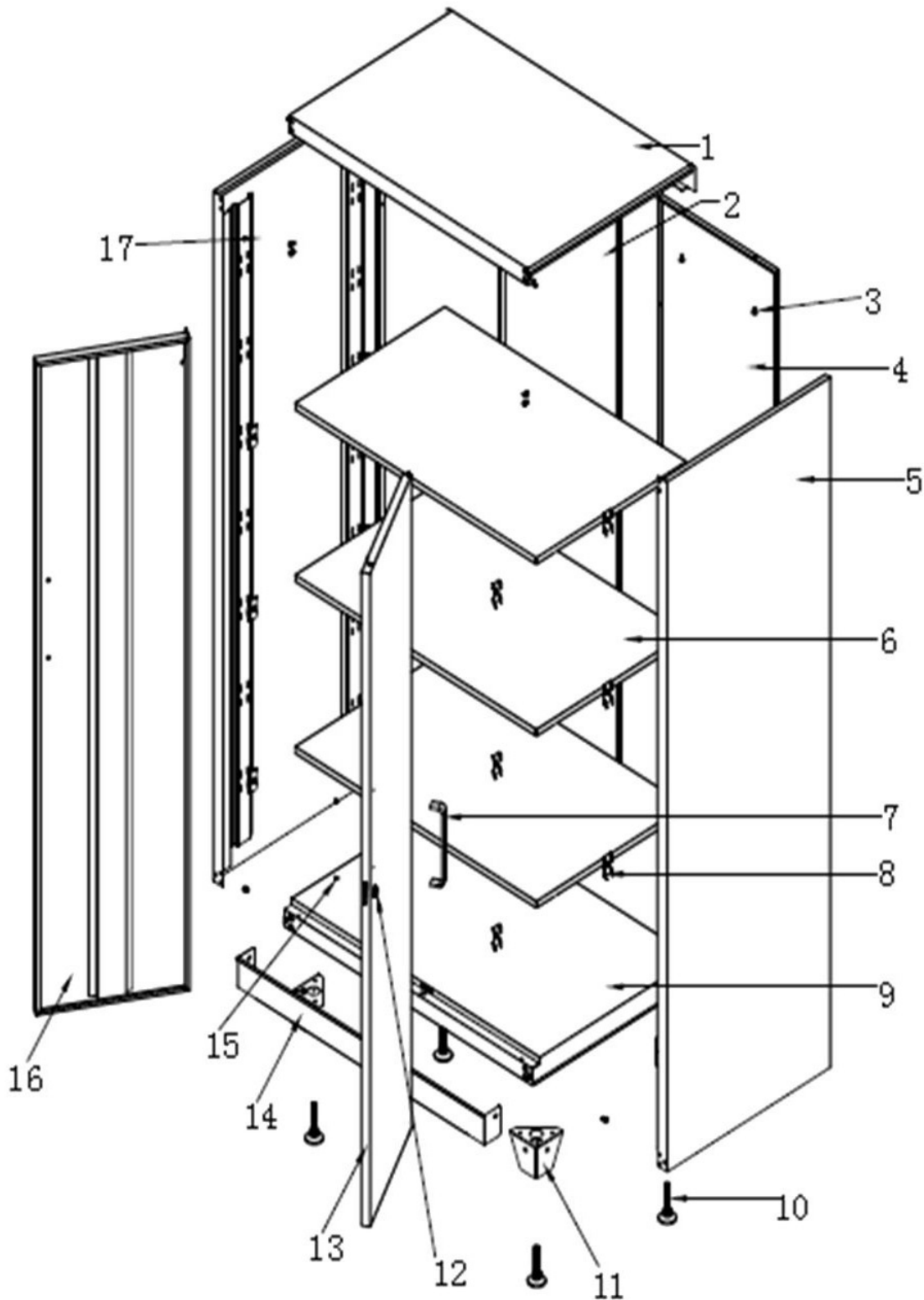




Parts Information:
**Modular Full Height Floor Cabinet 930mm
Heavy-Duty
Model No: APMS05.V2**



NOTE: It is our policy to continually improve products and as such we reserve the right to alter data, specifications and component parts without prior notice. There may be alternative versions of this product, please contact us should you require this information.

IMPORTANT: No liability is accepted for incorrect use of product. Spare parts must be fitted by a competent person

WARRANTY: Guarantee is 12 months from purchase date, proof of which will be required for any claim.

Sealey Group, Kempson Way, Suffolk Business Park, Bury St Edmunds, Suffolk. IP32 7AR



01284 757500



01284 703534



sales@sealey.co.uk



www.sealey.co.uk



Parts Information:
**Modular Full Height Floor Cabinet 930mm
Heavy-Duty
Model No: APMS05.V2**

| Item | Part No. | Description |
|------|-------------|---|
| 1 | APMS-110223 | Top Panel |
| 2 | APMS-236087 | Back Panel, Left |
| 3 | MSP612.SB | Machine Screw Pan Head Phillips M6 x 12mm |
| 4 | APMS-236088 | Back Panel, Right |
| 5 | APMS-110222 | Side Panel, Right |
| 6 | APMS-220529 | Shelf |
| 7 | APMS-301650 | Handle |
| 8 | APMS-226078 | Support, Shelf |
| 9 | APMS-113690 | Bottom Panel |
| 10 | APMS-313004 | Adjustable Foot |
| 11 | APMS-117485 | Feet |
| 12 | PTB-304007 | Lock and Key (Number 1201) |

| Item | Part No. | Description |
|------|---------------|--|
| 13 | APMS-110228N1 | Door, Right (c/w Bar, Lock & Key + Handle) |
| 14 | APMS-220617 | Cabinet Support |
| 15 | MSP48.S | Machine Screw Pan Head Phillips M4 X 8 mm |
| 16 | APMS-110227N2 | Door, Left (c/w Handle) |
| 17 | APMS-110221 | Side Panel, Left |
| -- | APMS-551770 | Shelf Liner (Not Shown) |
| -- | PTB-304007A | Lock and Key (1202) (Not Shown) |
| -- | PTB-304007B | Lock and Key (1203) (Not Shown) |
| -- | PTB-304007C | Lock and Key (1204) (Not Shown) |
| -- | APMS-110228 | Door, Right (Not Shown) |
| -- | APMS-110227 | Door, Left (Not Shown) |

NOTE: It is our policy to continually improve products and as such we reserve the right to alter data, specifications and component parts without prior notice. There may be alternative versions of this product, please contact us should you require this information.

IMPORTANT: No liability is accepted for incorrect use of product. Spare parts must be fitted by a competent person

WARRANTY: Guarantee is 12 months from purchase date, proof of which will be required for any claim.

Sealey Group, Kempson Way, Suffolk Business Park, Bury St Edmunds, Suffolk. IP32 7AR



01284 757500



01284 703534



sales@sealey.co.uk



www.sealey.co.uk