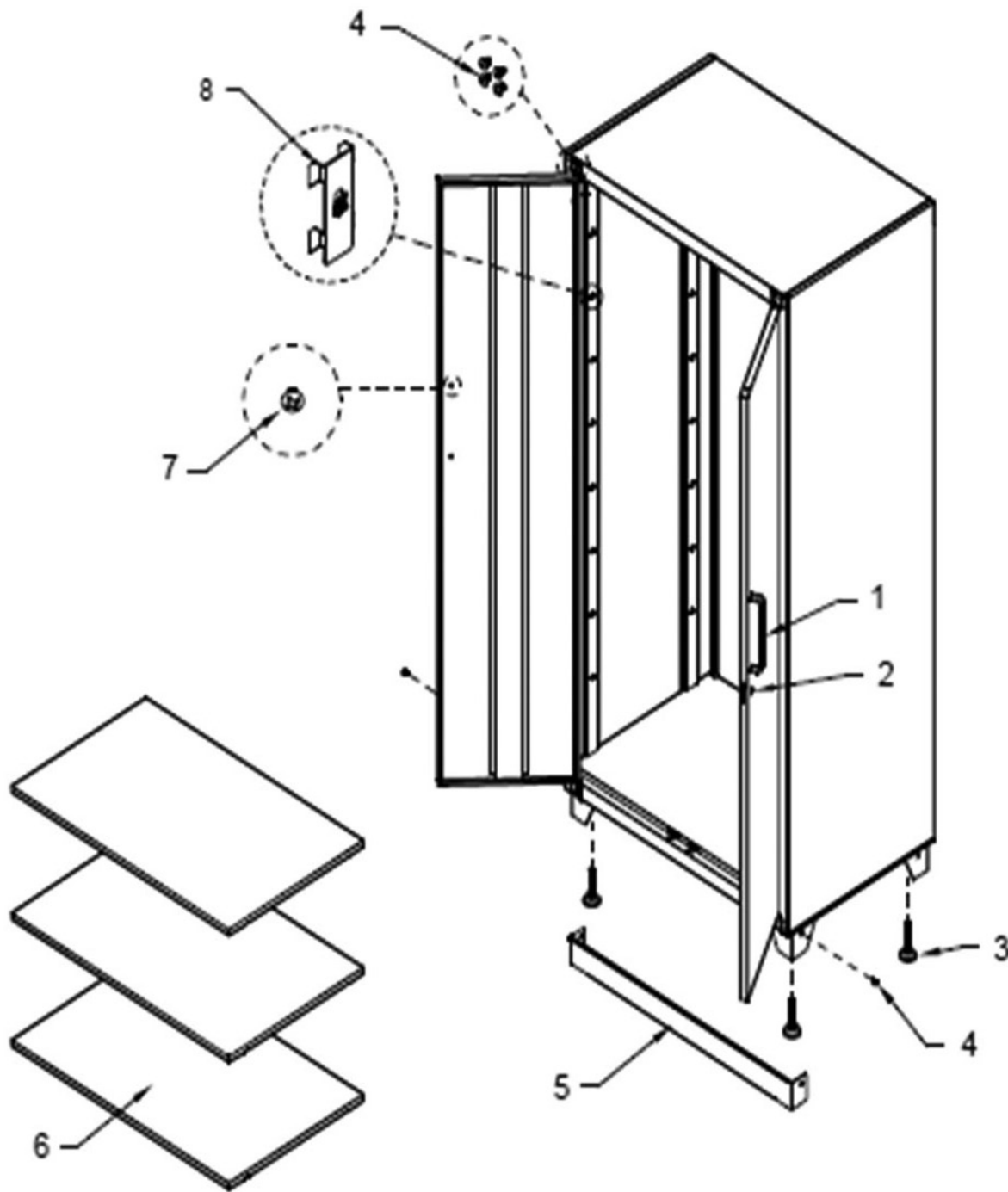




Parts Information:
Modular Full Height Floor Cabinet 930mm
Heavy-Duty
Model No: APMS05



Item	Part No.	Description
1	APMS-220529	Shelf
2	APMS-220617	Cabinet Support
3	APMS-226078	Support, Shelf
4	APMS-301650	Handle
5	PTB-304007	Lock and Key (Number 1201)
6	APMS-313004	Adjustable Foot

Item	Part No.	Description
7	APMS-320060	Bolt, Phillips Head M4 x 5
8	MSP612.SB	Machine Screw Pan Head Phillips M6 x 12mm
--	APMS-551770	Shelf Liner (Not Shown)
--	PTB-310157	Sealey Zinc Badge (Not Shown)
--	PTB-310158	Premier Zinc Badge (Not Shown)

NOTE: It is our policy to continually improve products and as such we reserve the right to alter data, specifications and component parts without prior notice. There may be alternative versions of this product, please contact us should you require this information.

IMPORTANT: No liability is accepted for incorrect use of product. Spare parts must be fitted by a competent person

WARRANTY: Guarantee is 12 months from purchase date, proof of which will be required for any claim.

Sealey Group, Kempson Way, Suffolk Business Park, Bury St Edmunds, Suffolk. IP32 7AR



01284 757500



01284 703534



sales@sealey.co.uk



www.sealey.co.uk