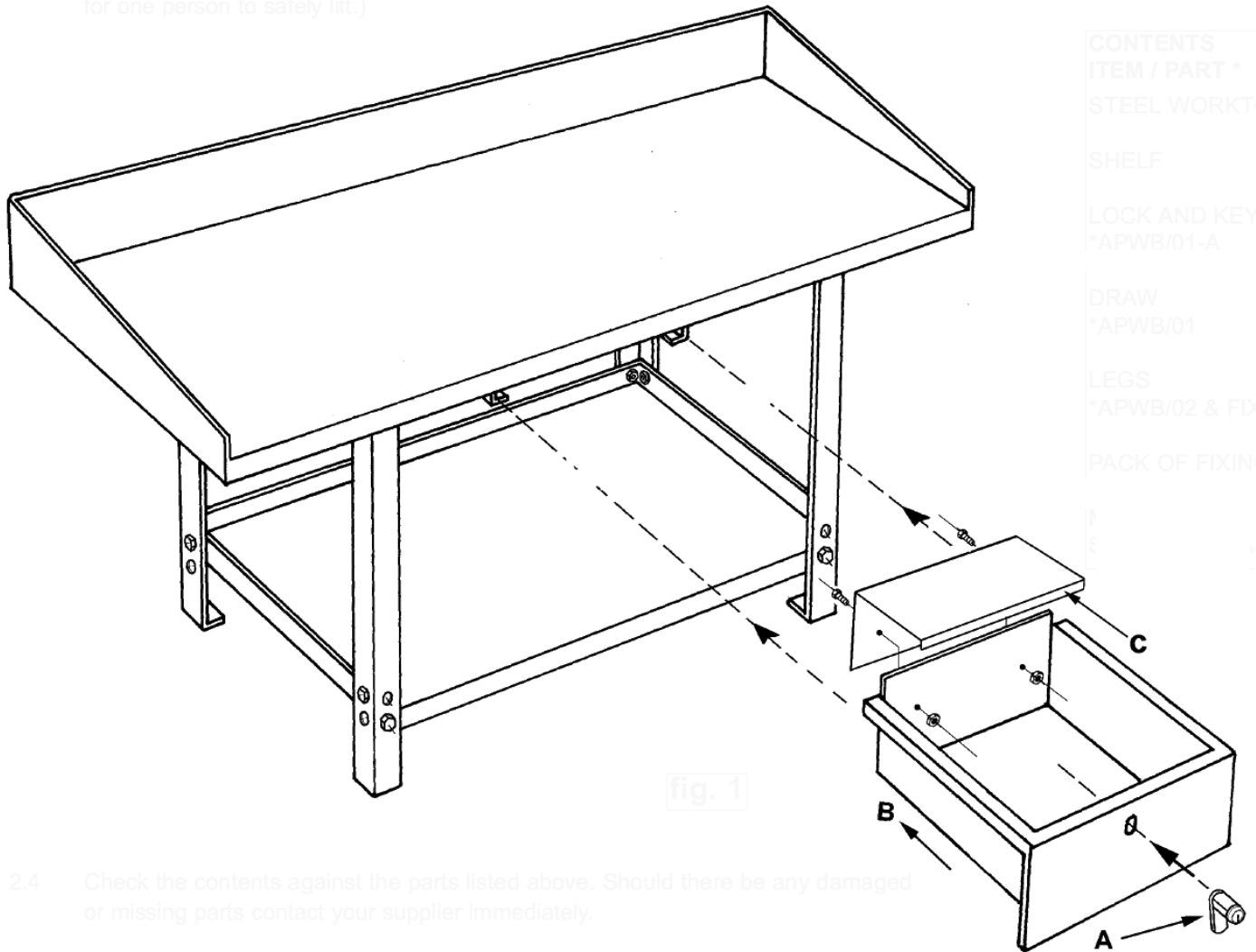


(for one person to safely lift.)



CONTENTS
 ITEM / PART *
 STEEL WORKTC
 SHELF
 LOCK AND KEY!
 *APWB/01-A
 DRAW
 *APWB/01
 LEGS
 *APWB/02 & FIX
 PACK OF FIXINC

2.4 Check the contents against the parts listed above. Should there be any damaged or missing parts contact your supplier immediately.

| Item | Part No. | Description |
|------|-----------|-------------|
| ** | APWB/01 | Drawer only |
| ** | APWB/01-A | Lock & key |

| Item | Part No. | Description |
|------|----------|---------------------------|
| ** | APWB/02 | Legs,set of 4 c/w fixings |
| ** | APWB/01P | Drawer only |

NOTE: It is our policy to continually improve products and as such we reserve the right to alter data, specifications and component parts without prior notice. There may be alternative versions of this product, please contact us should you require this information.

IMPORTANT: No liability is accepted for incorrect use of product. Spare parts must be fitted by a competent person

WARRANTY: Guarantee is 12 months from purchase date, proof of which will be required for any claim.