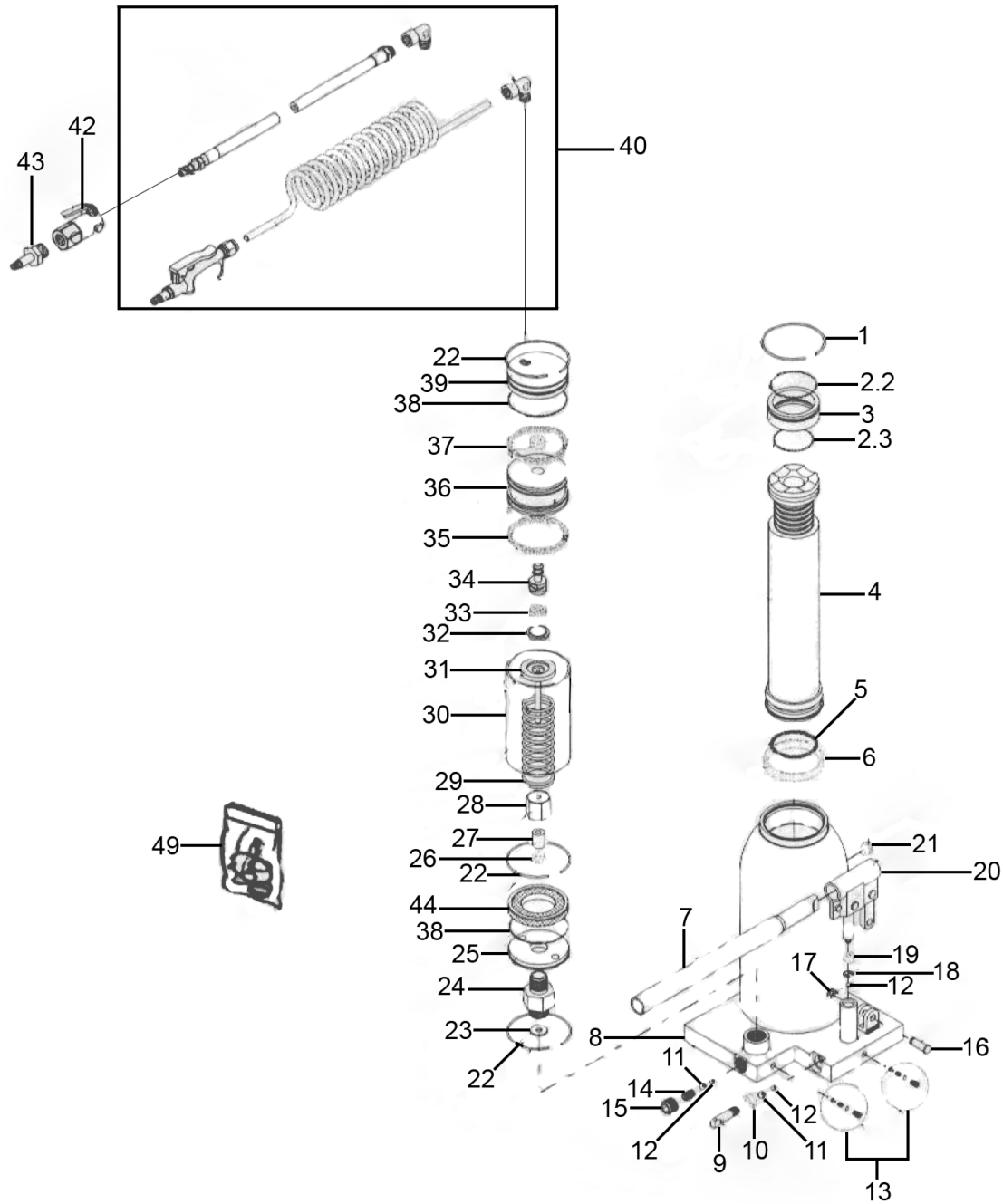




Parts Information:  
**Bottle Jack 30tonne Manual/Air Hydraulic**  
**Model No: AM30.V2**



Item	Part No.	Description
1	MG-30/1361	Ring
2.2	MGH-30/1136	O-Ring
2.3	MGH-20/1136	O-Ring
3	MGH-30/1102	Guide
4	MGH-30/C14	Main Piston
5	SA59.V3-35	O-Ring
6	MG-30/1164	Ring

Item	Part No.	Description
7	MG-5/C21	Handle
8	MGH-30/C25	Hydraulic Unit
9	MG-2/1125	Release Valve
10	MG-2/1130	Rubber Seal
11	SB-8.0	Steel Ball
12	SB-5.6	Steel Ball
13	MG-2/C9	Safety Valve

**NOTE:** It is our policy to continually improve products and as such we reserve the right to alter data, specifications and component parts without prior notice. There may be alternative versions of this product, please contact us should you require this information.

**IMPORTANT:** No liability is accepted for incorrect use of product. Spare parts must be fitted by a competent person

**WARRANTY:** Guarantee is 12 months from purchase date, proof of which will be required for any claim.

Sealey Group, Kempson Way, Suffolk Business Park, Bury St Edmunds, Suffolk. IP32 7AR



01284 757500



01284 703534



sales@sealey.co.uk



www.sealey.co.uk



Parts Information:  
**Bottle Jack 30tonne Manual/Air Hydraulic**  
**Model No: AM30.V2**

Item	Part No.	Description
14	ME-1501/1162	Spring
15	Y-2/1160	Screw
16	MG-2/1344	Axle
17	MB-22-A/1286	E-Clip
18	MG-2/1161	Circlip
19	MG-2/1133	Seal
20	MG-2/C7	Handle Socket (c/w Screw)
21	ME-12001/1139	Filler Plug
22	MG-25/1361	Ring
23	NS-1/1119	Seal
24	MGN-20/1655	Connector
25	MGN-20/2191	Upper Lid
26	C-212/1133	Seal
27	MGN-20/1143	Bushing
28	MGN-20/1114	Nut
29	MGN-20/1241	Spring

Item	Part No.	Description
30	MGN-20/1609	Pump Cylinder
31	MGN-20/C8	Pump Rod
32	NS-2/1616	Plug
33	MGN-20/1613	Seal
34	MGN-20/1615	Axle
35	NS-2/1612	Dust Seal
36	NS-1/1610	Piston
37	NS-1/1614	Seal
38	NS-2/1600	O-Ring
39	MGN-20/1599	Lid
40	MGH-12/C39	Hose Assembly
42	GN-20/1802	Nozzle
43	AM12A/43	Connector
44	MGN-20/1153	Filter
49	RMGH-30	Repair Kit
--	MGH-12/C27	Complete Air Motor (Not Shown)

**NOTE:** It is our policy to continually improve products and as such we reserve the right to alter data, specifications and component parts without prior notice. There may be alternative versions of this product, please contact us should you require this information.

**IMPORTANT:** No liability is accepted for incorrect use of product. Spare parts must be fitted by a competent person

**WARRANTY:** Guarantee is 12 months from purchase date, proof of which will be required for any claim.

**Sealey Group**, Kempson Way, Suffolk Business Park, Bury St Edmunds, Suffolk. IP32 7AR



01284 757500



01284 703534



sales@sealey.co.uk



www.sealey.co.uk