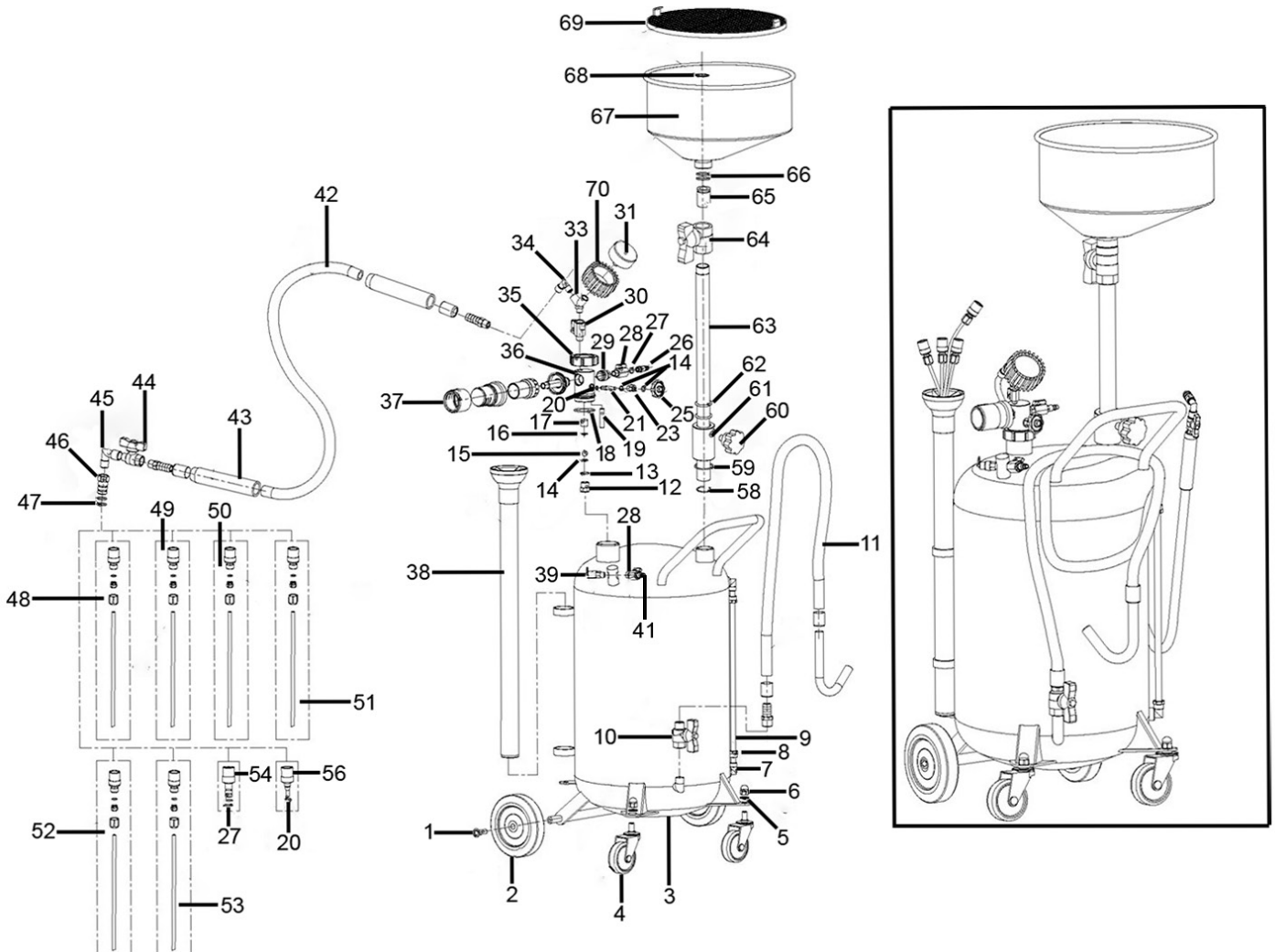




Parts Information:
Mobile Oil Drainer with Probes 90L Air Discharge
Model No: AK459DX.V2



Item	Part No.	Description
1	SFS816.S	Hex Head Flange Bolt M8 X 16
2	AK458DX.V3-02	Wheel, Fixed
3	AK459DX.V2-03	Tank
4	AK459DX.V2-04	Wheel, Swivel Castor
5	FWM12.S	Flat Washer M12
6	SN12.SD	Steel Nut M12 Domed
7	AK458DX.V3-07	Elbow
8	AK459DX.V2-08	Ring
9	AK458DX.V4-24	Tube (500mm)
10	AK459DX.V2-10	Ball Valve 1/2" M/F
11	AK458DX.V3-11	Discharge Hose
12	AK459DX.V2-12	Valve Body
13	AK459DX.V2-13	O-Ring
14	WK025.V2-31	O-Ring

Item	Part No.	Description
15	SB-12.0	Steel Ball 12.0mm
16	AK459DX.V2-16	Internal Circlip
17	GSM88.S	Grub screw M8x8
18	AK459DX.V2-18	O-Ring
19	AK459DX.V2-19	Shaft
20	SA802.23	O-Ring
21	AK459DX.V2-21	Valve Body
23	AK459DX.V2-23	Bolt M14 x 9
25	AK459DX.V2-25	Knob
26	AK458DX.V3-26	Plug
27	DH03.V2-39	O-Ring
28	CM02001020	Ball Valve 1/4"
29	AK459DX.V2-29	Nozzle
30	AK459DX.V2-30	Valve

NOTE: It is our policy to continually improve products and as such we reserve the right to alter data, specifications and component parts without prior notice. There may be alternative versions of this product, please contact us should you require this information.

IMPORTANT: No liability is accepted for incorrect use of product. Spare parts must be fitted by a competent person

WARRANTY: Guarantee is 12 months from purchase date, proof of which will be required for any claim.

Sealey Group, Kempson Way, Suffolk Business Park, Bury St Edmunds, Suffolk. IP32 7AR



01284 757500



01284 703534



sales@sealey.co.uk



www.sealey.co.uk



Parts Information:
Mobile Oil Drainer with Probes 90L Air Discharge
Model No: AK459DX.V2

Item	Part No.	Description
31	AK459DX.V2-31	Gauge
33	AK459DX.V2-33	Y-Elbow Adaptor
34	AK459DX.V2-34	Elbow Adaptor
35	AK459DX.V2-35	Nut
36	AK459DX.V2-36	Valve Seat
37	AK459DX.V2-37	Complete Muffler
38	AK459DX.V2-38	Probe Container
39	AK458DX.V3-24	Safety Valve
41	AK458DX.V3-26	Plug
42	AK459DX.V2-42	Suction Hose
43	AK459DX.V2-43	Protector, Suction Hose
44	AK459DX.V2-44	Ball Valve
45	AK459DX.V2-45	Elbow Adaptor
46	AK459DX.V2-46	Link
47	AK459DX.V2-47	O-Ring
48	AK459DX.V2-48	Flexible Probe 5x700 (Plastic Tube)
49	AK459DX.V2-49	Flexible Probe 6x700 (Plastic Tube)
50	AK459DX.V2-50	Flexible Probe 7x1000 (Plastic Tube)

Item	Part No.	Description
51	AK459DX.V2-51	Flexible Probe 8x700 (Plastic Tube)
52	AK459DX.V2-52	Malleable Probe 5x700 (Copper Tube)
53	AK459DX.V2-53	Malleable Probe 6x700 (Copper Tube)
54	AK459DX.V2-54	Connector (VW)
56	AK459DX.V2-56	Connector (BMW)
58	AK458DX.V3-16	Split Ring
59	AK458DX.V3-13	O-Ring
60	AK458DX.V3-14	Knob
61	AK458DX.V3-15	Steel Tube Seat
62	AK458DX.V3-12	O-Ring
63	AK458DX.V3-17	Adjustable Steel Tube
64	AK459DX.V2-64	Ball Valve
65	AK458DX.V3-22	Steel Tube
66	HVLP3000G.03	O-Ring
67	AK458DX.V3-19	Oil Collection Bowl
68	AK459DX.V2-68	Circular Nut
69	AK458DX.V3-20	Filter
70	AK459DX.V2-RG	Gauge Rubber Outer

NOTE: It is our policy to continually improve products and as such we reserve the right to alter data, specifications and component parts without prior notice. There may be alternative versions of this product, please contact us should you require this information.

IMPORTANT: No liability is accepted for incorrect use of product. Spare parts must be fitted by a competent person

WARRANTY: Guarantee is 12 months from purchase date, proof of which will be required for any claim.

Sealey Group, Kempson Way, Suffolk Business Park, Bury St Edmunds, Suffolk. IP32 7AR



01284 757500



01284 703534



sales@sealey.co.uk



www.sealey.co.uk