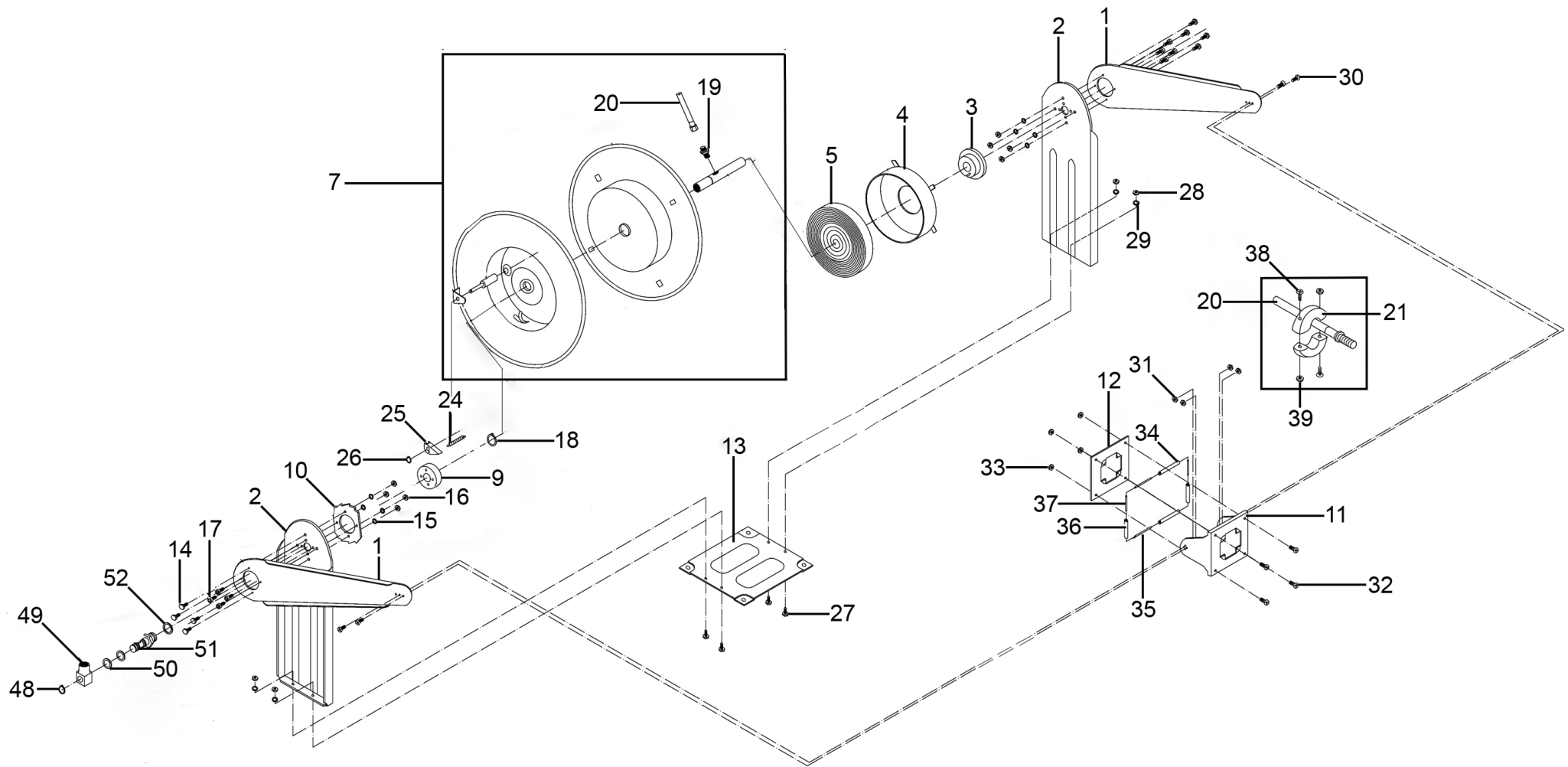




Parts Information:  
Oil Hose Reel Retractable 10m  
Model No: AK4567D



**NOTE:** It is our policy to continually improve products and as such we reserve the right to alter data, specifications and component parts without prior notice.

There may be alternative versions of this product, please contact us should you require this information.

**IMPORTANT:** No liability is accepted for incorrect use of product. Spare parts must be fitted by a competent person

**WARRANTY:** Guarantee is 12 months from purchase date, proof of which will be required for any claim.

Sealey Group, Kempson Way, Suffolk Business Park, Bury St Edmunds, Suffolk. IP32 7AR



01284 757500



01284 703534



sales@sealey.co.uk



www.sealey.co.uk



Parts Information:  
Oil Hose Reel Retractable 10m  
Model No: AK4567D

Item	Part No.	Description
1	AK4567D.01	Support Bracket Arm
2	AK4567D.02	Support Bracket
3	AK4567D.03	Hub Bearing Assembly
4	AK4567D.04	Drum for Spring
5	AK4567D.05	Spring
7	AK4567D.07	Drum Assembly
9	AK4567D.09	Hub Bearing Assembly
10	AK4567D.10	Lock Ring
11	AK4567D.11	Guide Sub-Plate (A)
12	AK4567D.12	Guide Sub-Plate (B)
13	AK4567D.13	Base
14	SFS616.S	Hex Head Flange Bolt M6 X 16
15	AK4567D.15	Washer
16	NLN6.S	Nyloc Nut M6
17	SCB614.S	Socket Cap Bolt M6 x 14mm
18	AK4567D.18	External Circlip
19	AK4567D.19	Fitting
20	AK4567D.20	Hose 10M
21	AK4567D.21	Rubber Bumper Block
24	AK4567D.24	Spring
25	AK4567D.25	Cam, Locking

Item	Part No.	Description
26	ER1700PD.37	External Circlip
27	SS816.S	Hex Head Set Screw M8 X 16
28	SN8.S	Steel Nut M8
29	AK4567D.29	Washer Kit (4 x Flat, 4 x Spring) M8
30	SCB612.S	Socket Cap Bolt M6 x 12mm
31	FN6.S	Flange Nut Serrated M6
32	MSP610.S	Machine Screw Pan Head Phillips M6 X 10mm
33	SN6.S	Steel Nut M6
34	AK4567D.34	Roller (Large)
35	AK4567D.35	Axle for Roller
36	AK4567D.36	Roller (Small)
37	AK4567D.37	Axle for Roller
38	MSP640.S	Machine Screw Pan Head M6 x 40mm
39	AK4567D.39	Nut
48	SA701.V2-03	External Circlip
49	AK4567D.49	Swivel Body
50	610/PJ11	O-Ring
51	AK4567D.51	Swivel Spool
52	AK4567D.52	Washer Rubber M20
--	AK4567D.53	Flexible Oil Hose 1M (Not Shown)
--	AK4567D.42	Hose 10M (Not Shown)

**NOTE:** It is our policy to continually improve products and as such we reserve the right to alter data, specifications and component parts without prior notice. There may be alternative versions of this product, please contact us should you require this information.

**IMPORTANT:** No liability is accepted for incorrect use of product. Spare parts must be fitted by a competent person

**WARRANTY:** Guarantee is 12 months from purchase date, proof of which will be required for any claim.

Sealey Group, Kempson Way, Suffolk Business Park, Bury St Edmunds, Suffolk. IP32 7AR



01284 757500



01284 703534



sales@sealey.co.uk



www.sealey.co.uk