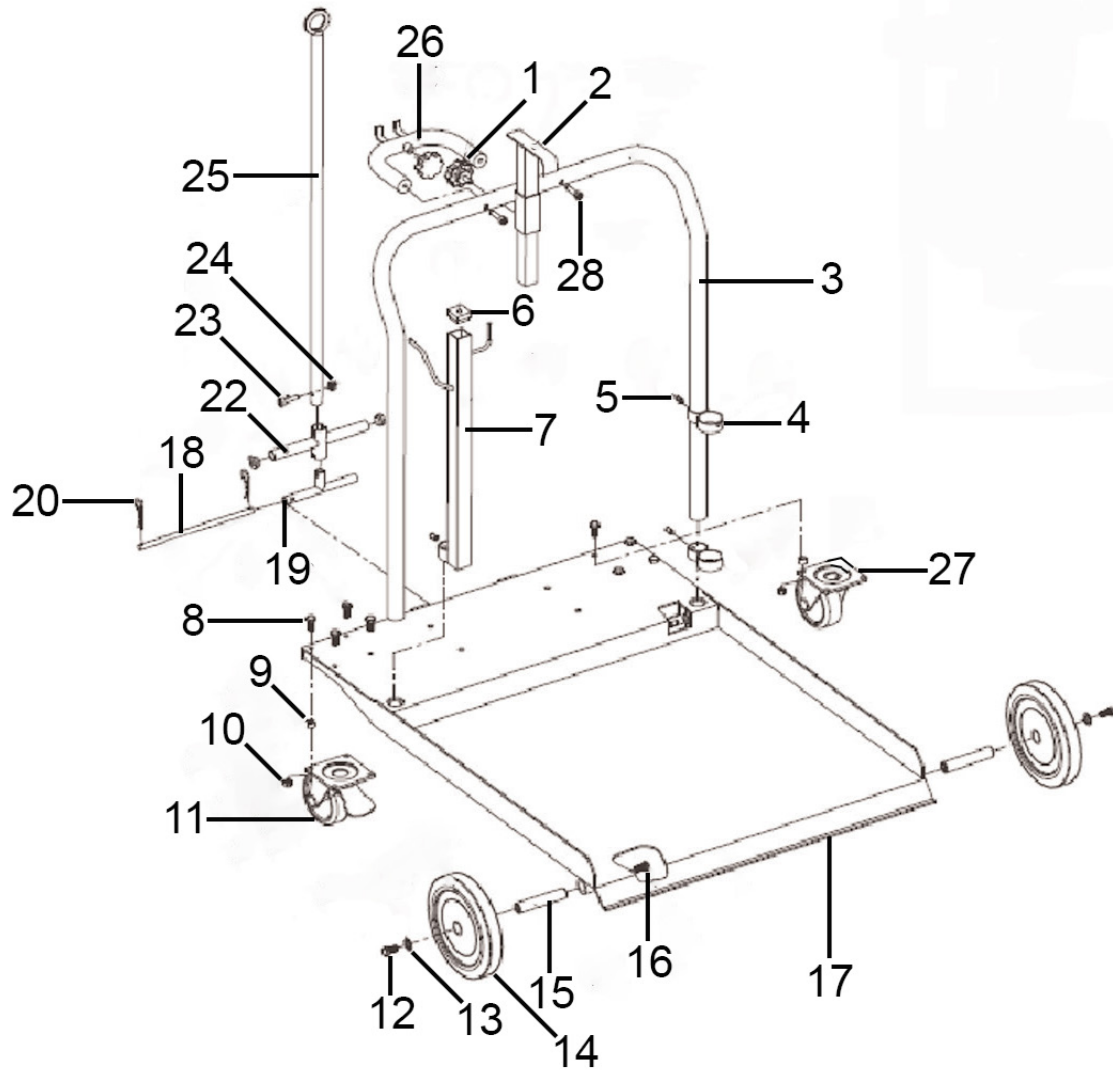


Parts Information:  
**Oil Dispensing System Air Operated with  
 10m Retractable Hose Reel  
 Model No: AK4562D.V2**



Item	Part No.	Description
1	AK4561D.01	Adjusting Knob
2	AK4562D.02	Drum Holder Support
3	AK4562D.03	Handle
4	AK4562D.04	Pump Support
5	GSM1010.S	Grub Screw M10 X 10
6	AK4562D.06	End Cap
7	AK4562D.07	Accessories Support
8	SS1040.S	Hex Head Set Screw M10 X 40
9	AK4562D.09	Spacer 25mm
10	SN10.S	Steel Nut M10
11	AK4562D.11N	Wheel, Swivel castor 4 bolt (w/brake)
12	SFS816.S	Hex Head Flange Bolt M8 X 16
13	RW838.S	Repair Washer M8 X 38
14	AK4562D.14	Wheel, fixed rubber (D:280 W:50 B:20)

Item	Part No.	Description
15	AK4562D.15	Axle
16	SS820.S	Hex Head Set Screw M8 X 20
17	AK4562D.17	Trolley Base
18	AK4562D.18	Joint Pin
19	AK4562D.19	Handle Joint
20	AK4562D.20	R-Clip 3.1 x 3mm
22	AK4562D.22	Handle
23	SCB845.S	Socket Cap Bolt M8 x 45mm
24	SN8.S	Steel Nut M8
25	AK4562D.25	Movable Handle
26	AK4562D.26	Handle Support
27	AK4562D.27N	Wheel, Swivel castor 4 bolt
28	SCB845.S	Socket Cap Bolt M8 x 45mm
--	AK4562D.21	Handle Grip (Not Shown)

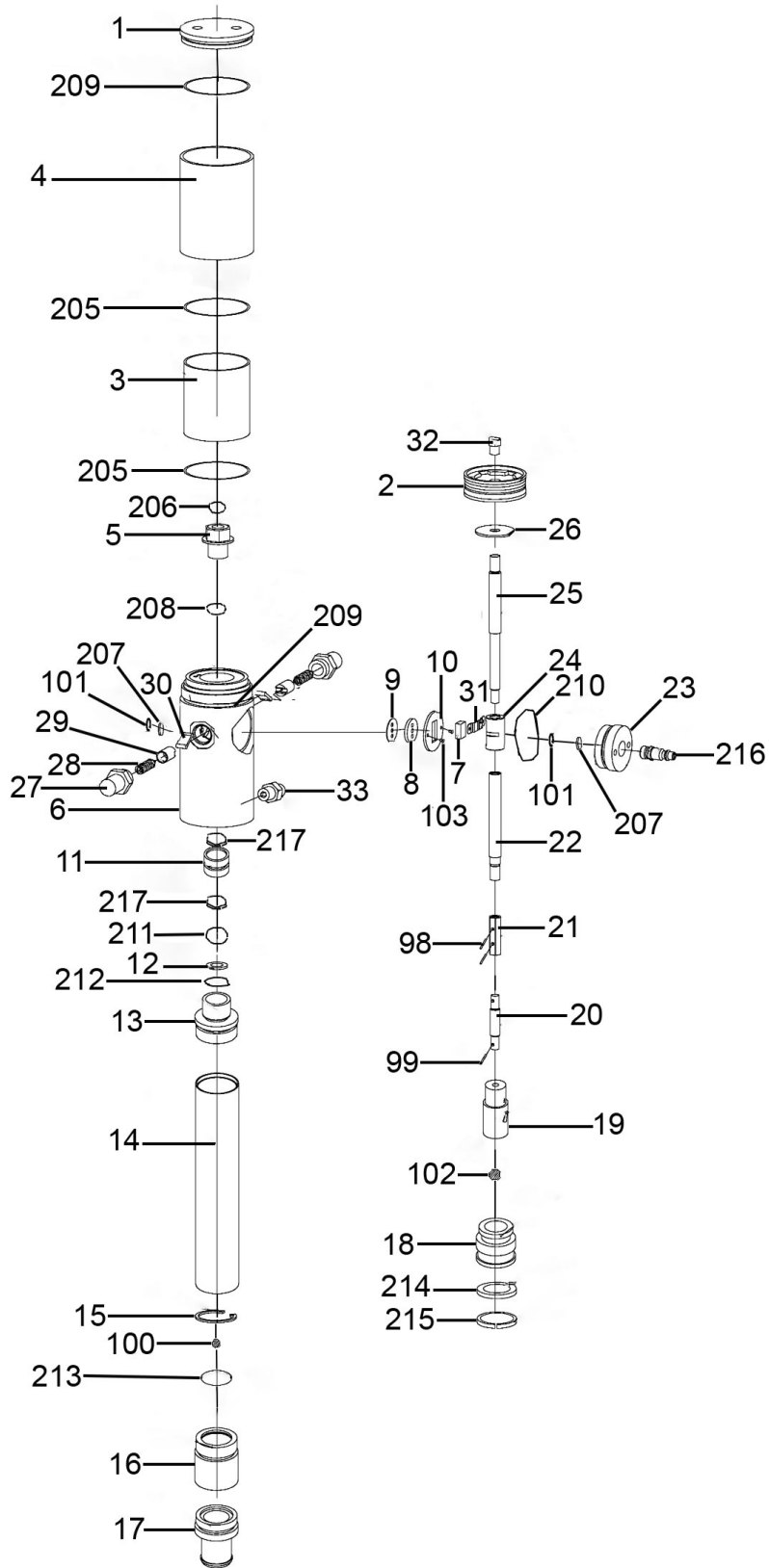
**NOTE:** It is our policy to continually improve products and as such we reserve the right to alter data, specifications and component parts without prior notice. There may be alternative versions of this product, please contact us should you require this information.

**IMPORTANT:** No liability is accepted for incorrect use of product. Spare parts must be fitted by a competent person

**WARRANTY:** Guarantee is 12 months from purchase date, proof of which will be required for any claim.



Parts Information:  
Oil Dispensing System Air Operated with  
10m Retractable Hose Reel  
Model No: AK4562D.V2



**NOTE:** It is our policy to continually improve products and as such we reserve the right to alter data, specifications and component parts without prior notice. There may be alternative versions of this product, please contact us should you require this information.

**IMPORTANT:** No liability is accepted for incorrect use of product. Spare parts must be fitted by a competent person

**WARRANTY:** Guarantee is 12 months from purchase date, proof of which will be required for any claim.

Sealey Group, Kempson Way, Suffolk Business Park, Bury St Edmunds, Suffolk. IP32 7AR



01284 757500



01284 703534



sales@sealey.co.uk



www.sealey.co.uk



Parts Information:  
**Oil Dispensing System Air Operated with  
 10m Retractable Hose Reel  
 Model No: AK4562D.V2**

Item	Part No.	Description
1	AK4560D.01	Air Motor Cover
2	AK4560D.02	Piston
3	AK4560D.03	Air Motor Shell Inner
4	AK4560D.04	Air Motor Shell Outer
5	AK4560D.05	Bracket
6	AK4560D.06	Air Control Centre
7	AK4560D.07	Slider
8	AK4560D.08	Gasket
9	AK4560D.09	Soft Gasket
10	AK4560D.10	Square Hole Securing Washer
11	AK4560D.11	Bracket
12	AK4560D.12	Washer
13	AK4560D.13	Connect Tube
14	AK4560D.14	Suction Tube 850mm x 42mm
15	AK4560D.15	Spring Circlip
16	AK4560D.16	Valve Seat
17	AK4560D.17	Filter or Connector
18	AK4560D.18	Piston
19	AK4560D.19	Connecting Shell
20	AK4560D.20	Connect Shaft
21	AK4560D.21	Connect Shell
22	AK4560D.22	Middle Shaft
23	AK4560D.23	Air Centre Cover
24	AK4560D.24	Slider Shell
25	AK4560D.25	Piston Shaft
26	FWM10.S	Flat Washer M10

Item	Part No.	Description
27	AK4560D.27	Spring Shell
28	AK4560D.28	Spring
29	AK4560D.29	Spring Seat
30	AK4560D.30	Trip Shoe Guide
31	AK4560D.31	Press Piece
32	AK4560D.32	Nut
33	AK4560D.33	Outlet
98	AK4560D.98	Pin
99	SA51/08	Spring Pin M3 X 20
100	SB-21.4	Steel Ball 21.4mm
101	AK4560D.101	Internal Circlip
102	SB-16.0	Steel Ball 16.0mm
103	MSP410.S	Machine Screw Pan Head Phillips M4 X 10mm
205	AK453X.V3-P03	O-Ring
206	SA342.12	O-Ring
207	AK4560D.207	Silencer
208	SA686.36	O-Ring
209	AK4560D.209	O-Ring
210	AK453X.V3-P49	O-Ring
211	MT700.V2-R10	O-Ring
212	SA141.24	O-Ring
213	AK4560D.213	O-Ring
214	AK4560D.214	Seal
215	AK4560D.215	Guiding
216	AK4560D.216	Quick Coupling
217	AK4560D.217	OD Seal

**NOTE:** It is our policy to continually improve products and as such we reserve the right to alter data, specifications and component parts without prior notice. There may be alternative versions of this product, please contact us should you require this information.

**IMPORTANT:** No liability is accepted for incorrect use of product. Spare parts must be fitted by a competent person

**WARRANTY:** Guarantee is 12 months from purchase date, proof of which will be required for any claim.

**Sealey Group**, Kempson Way, Suffolk Business Park, Bury St Edmunds, Suffolk. IP32 7AR



01284 757500



01284 703534

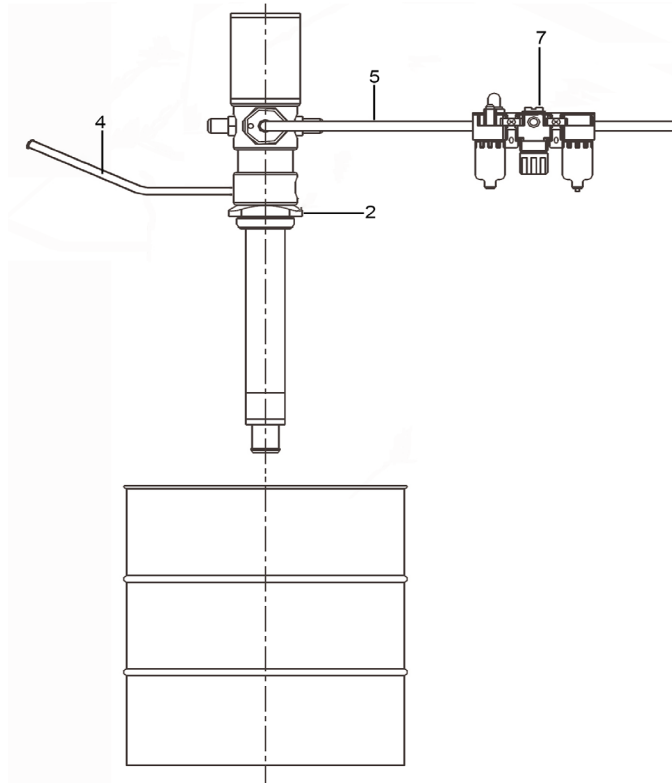


sales@sealey.co.uk



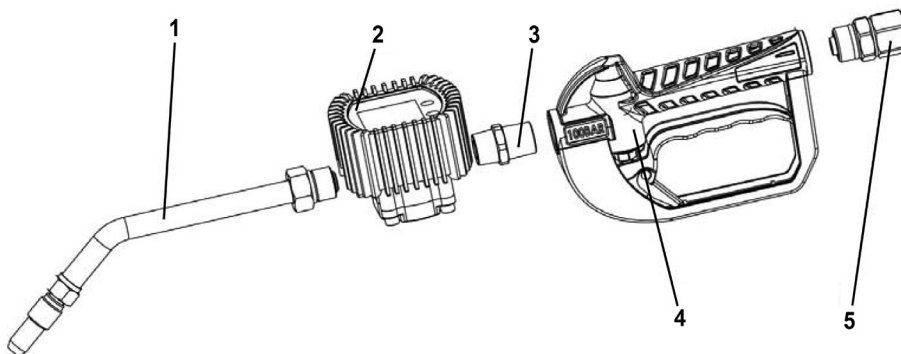
www.sealey.co.uk

Parts Information:  
**Oil Dispensing System Air Operated with  
 10m Retractable Hose Reel  
 Model No: AK4562D.V2**



Item	Part No.	Description
2	AK4560D.AC2	Bung Adaptor
4	AK4560D.AC4	Hose with Fitting
5	AK4560D.AC5	Air Hose with Quick Coupling
7	AK4560D.AC7	Regulator Assembly
--	AK4560D.AC7-1	Gauge 150psi, 40mm OD, Rear Fitting (Not Shown)

Item	Part No.	Description
--	AK4560D.AC7-2	Fitting (Not Shown)
--	AK460DX.01	Quick Coupling (Not Shown)
--	AK4560D.AC7-4	Pressure Regulator Knob (Not Shown)
--	AK4565D	Oil Hose End Gun (Not Shown)



Item	Part No.	Description
1	AK4565D.V2-01	Flexible Nozzle
2	AK4565D.V2-02	Digital Meter
3	AK4565D.V2-03	Union Adaptor

Item	Part No.	Description
4	AK4565D.V2-04	Gun Handle
5	AK4565D.V2-05	Swivel Fitting 1/2"

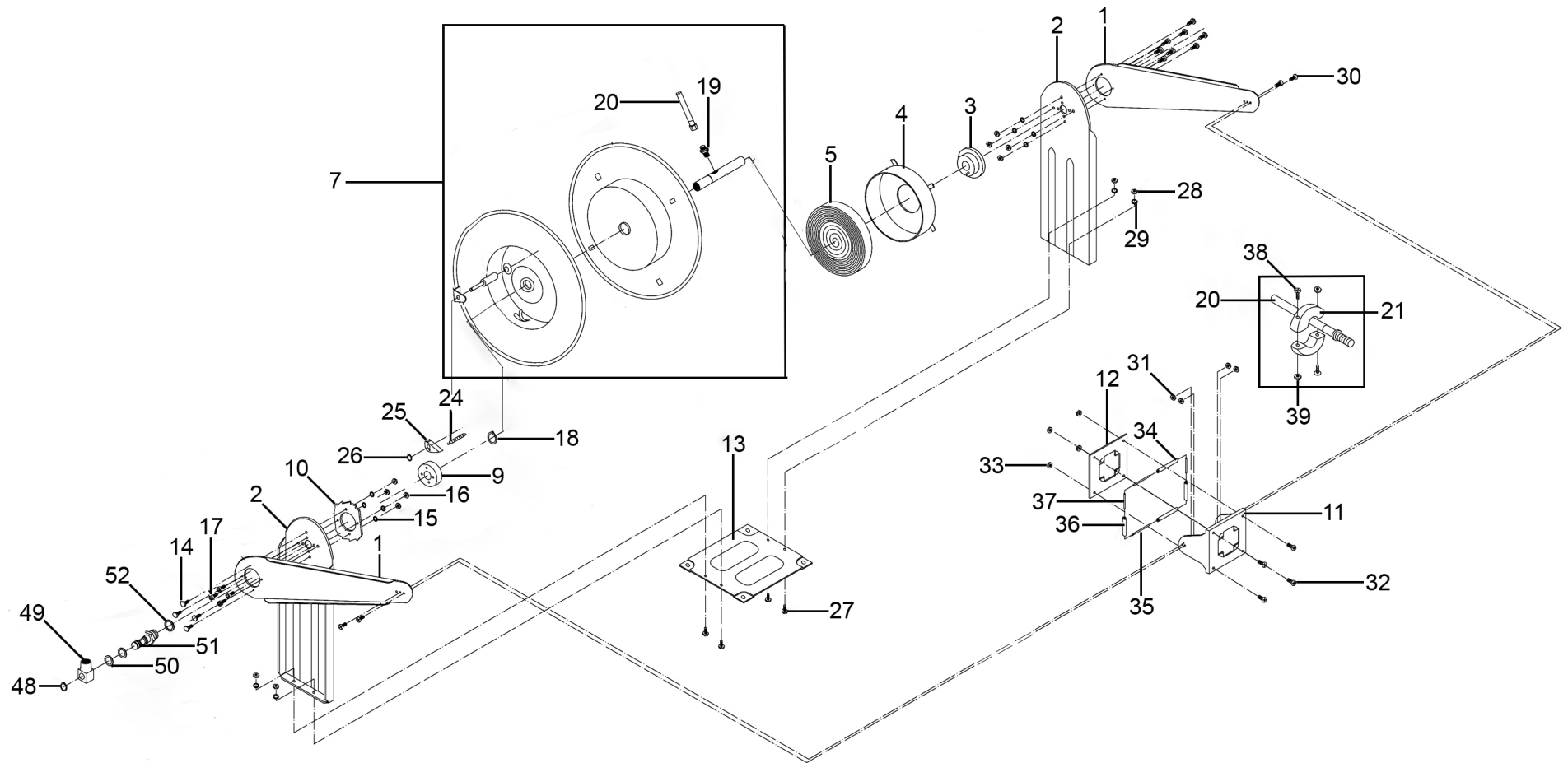
**NOTE:** It is our policy to continually improve products and as such we reserve the right to alter data, specifications and component parts without prior notice. There may be alternative versions of this product, please contact us should you require this information.

**IMPORTANT:** No liability is accepted for incorrect use of product. Spare parts must be fitted by a competent person

**WARRANTY:** Guarantee is 12 months from purchase date, proof of which will be required for any claim.



Parts Information:  
Oil Dispensing System Air Operated with 10m Retractable Hose Reel  
Model No: AK4562D.V2



**NOTE:** It is our policy to continually improve products and as such we reserve the right to alter data, specifications and component parts without prior notice.

There may be alternative versions of this product, please contact us should you require this information.

**IMPORTANT:** No liability is accepted for incorrect use of product. Spare parts must be fitted by a competent person

**WARRANTY:** Guarantee is 12 months from purchase date, proof of which will be required for any claim.

Sealey Group, Kempson Way, Suffolk Business Park, Bury St Edmunds, Suffolk. IP32 7AR



01284 757500



01284 703534



sales@sealey.co.uk



www.sealey.co.uk



Parts Information:  
Oil Dispensing System Air Operated with  
10m Retractable Hose Reel  
Model No: AK4562D.V2

Item	Part No.	Description
1	AK4567D.01	Support Bracket Arm
2	AK4567D.02	Support Bracket
3	AK4567D.03	Hub Bearing Assembly
4	AK4567D.04	Drum for Spring
5	AK4567D.05	Spring
7	AK4567D.07	Drum Assembly
9	AK4567D.09	Hub Bearing Assembly
10	AK4567D.10	Lock Ring
11	AK4567D.11	Guide Sub-Plate (A)
12	AK4567D.12	Guide Sub-Plate (B)
13	AK4567D.13	Base
14	SFS616.S	Hex Head Flange Bolt M6 X 16
15	AK4567D.15	Washer
16	NLN6.S	Nyloc Nut M6
17	SCB614.S	Socket Cap Bolt M6 x 14mm
18	AK4567D.18	External Circlip 32.0mm ID.
19	AK4567D.19	Fitting
20	AK4567D.20	Hose (10mtr)
21	AK4567D.21	Rubber Bumper Block
24	AK4567D.24	Spring Dog Dia 9.2mm
25	AK4567D.25	Cam, Locking

Item	Part No.	Description
26	ER1700PD.37	External Circlip 9.2mm ID.
27	SS816.S	Hex Head Set Screw M8 X 16
28	SN8.S	Steel Nut M8
29	AK4567D.29	Washer Kit (4 x Flat, 4 x Spring) M8
30	SCB612.S	Socket Cap Bolt M6 x 12mm
31	FN6.S	Flange Nut Serrated M6
32	MSP610.S	Machine Screw Pan Head Phillips M6 X 10mm
33	SN6.S	Steel Nut M6
34	AK4567D.34	Roller (Large)
35	AK4567D.35	Axle for Large Roller
36	AK4567D.36	Roller (Small)
37	AK4567D.37	Axle for Small Roller
38	MSP640.S	Machine Screw Pan Head M6 x 40mm
39	AK4567D.39	Nut
48	SA701.V2-03	External Circlip 23.0mm ID.
49	AK4567D.49	Swivel Body
50	610/PJ11	O-ring, (Ex: 25.72 In: 18.66 Cs: 3.53)
51	AK4567D.51	Swivel Spool
52	AK4567D.52	Washer, Rubber M20
--	AK4567D.53	Flexible Oil Hose 1M (Not Shown)
--	AK4567D.42	Hose 10M (Not Shown)

**NOTE:** It is our policy to continually improve products and as such we reserve the right to alter data, specifications and component parts without prior notice. There may be alternative versions of this product, please contact us should you require this information.

**IMPORTANT:** No liability is accepted for incorrect use of product. Spare parts must be fitted by a competent person

**WARRANTY:** Guarantee is 12 months from purchase date, proof of which will be required for any claim.

Sealey Group, Kempson Way, Suffolk Business Park, Bury St Edmunds, Suffolk. IP32 7AR



01284 757500



01284 703534



sales@sealey.co.uk



www.sealey.co.uk