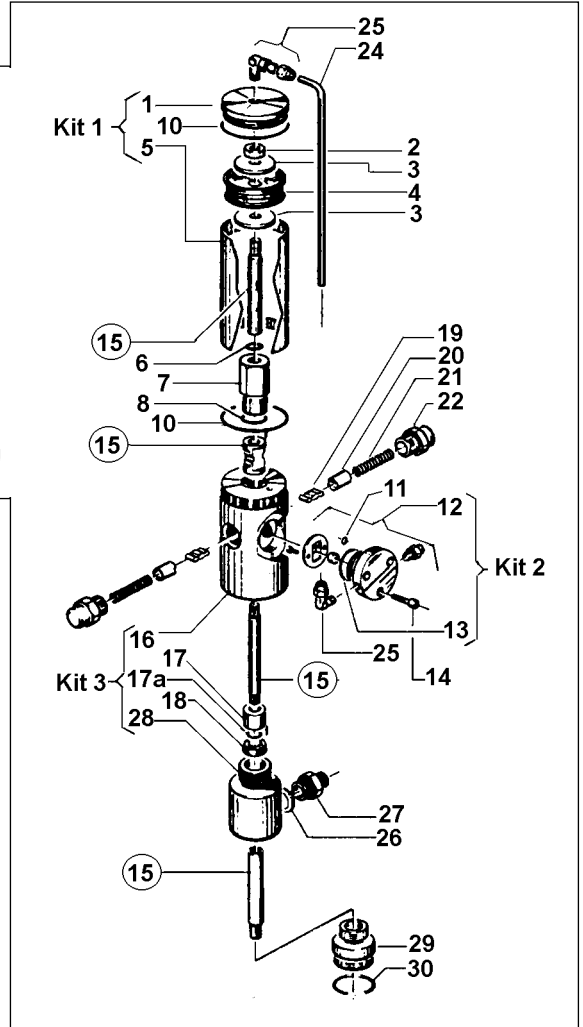
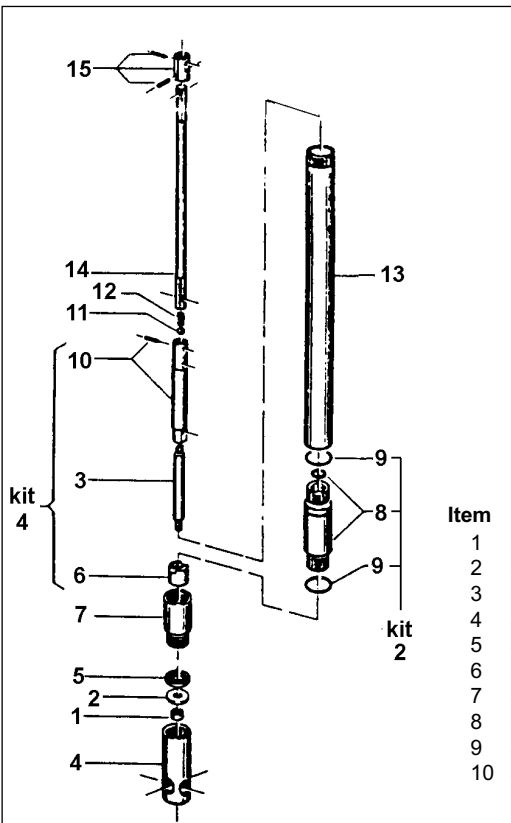


## 8. PARTS LIST

Item	Part No	Description	Item	Part No	Description
1	345/065501	Cylinder plug	15	345/065515	Reversing shaft
2	345/065502	Nut M10	16	345/065516	Pump body
3	345/065503	Plunger washer	17	345/065517	Spacer
4	345/065504	Plunger	17a	345/065517A	Seal
5	345/065505	Cylinder	18	345/065518	Seal
6	345/065506	OR ring	19	345/065519	Reversing plate
7	345/065507	Stem guide	20	345/065520	Bush
8	345/065508	OR ring	21	345/065521	Spring
10	345/065510	OR ring	22	345/065522	Press spring pipe
11	345/065511	OR ring	24	345/065524	Air pipeline
12	345/065512	Distributor	25	345/065525	Elbow 1/8 BSP
13	345/065513	OR ring	26	345/065526	Bush
14	345/065514	Screw M5	27	345/065527	Fluid out-put fitting
			28	345/065528	Pump connect fitting



Origin Date: 011198  
Issue Date: 011198  
Version No: 0  
Modified Date: N/A



Item	Part No	Description	Item	Part No	Description
1	45/054001	Nut	11	345/054011	By-pass ball
2	45/054002	Grease press washer	12	345/054012	By-pass spring
3	45/054003	Valve guide shaft	13	345/0540132	Extension for AK452X
4	45/054004	Suction pipe		345/0540136	Extension for AK453X
5	45/054005	Filter washer	14	345/0540142	Dragging shaft for AK452X
6	45/054006	Valve		345/0540146	Dragging shaft for AK453X
7	45/054007	Valve body	15	345/054015	Coupling Nut
8	45/054008	Pump cylinder			
9	45/054009	OR Ring			
10	45/054010	Pumping plunger			

**Declaration of Conformity** We, the sole UK distributor, declare that the products listed below are in conformity with the following EEC standards and directives

### Air Operated Grease Guns Models AK452X & AK453X

98/37/EC Machinery Directive



The construction files for these products are held by the Manufacturer and may be inspected by a national authority by contacting Jack Sealey Ltd

Signed by Mark Sweetman

14th July 2000

For Jack Sealey Ltd. Sole distributor in the UK of Sealey Power Products

**NOTE:** It is our policy to continually improve products and as such we reserve the right to alter data, specifications and component parts without prior notice.

**IMPORTANT:** No liability is accepted for incorrect use of this equipment.

**WARRANTY:** Guarantee is 12 months from purchase date, proof of which will be required for any claim.

**INFORMATION:** Call us for a copy of our latest catalogue & promotions on 01284 757525 and leave your full name and address including your postcode.



Sealey Group,  
Bury St. Edmunds, Suffolk.



01284 757500



01284 703534

E-mail: [sales@sealey.co.uk](mailto:sales@sealey.co.uk)