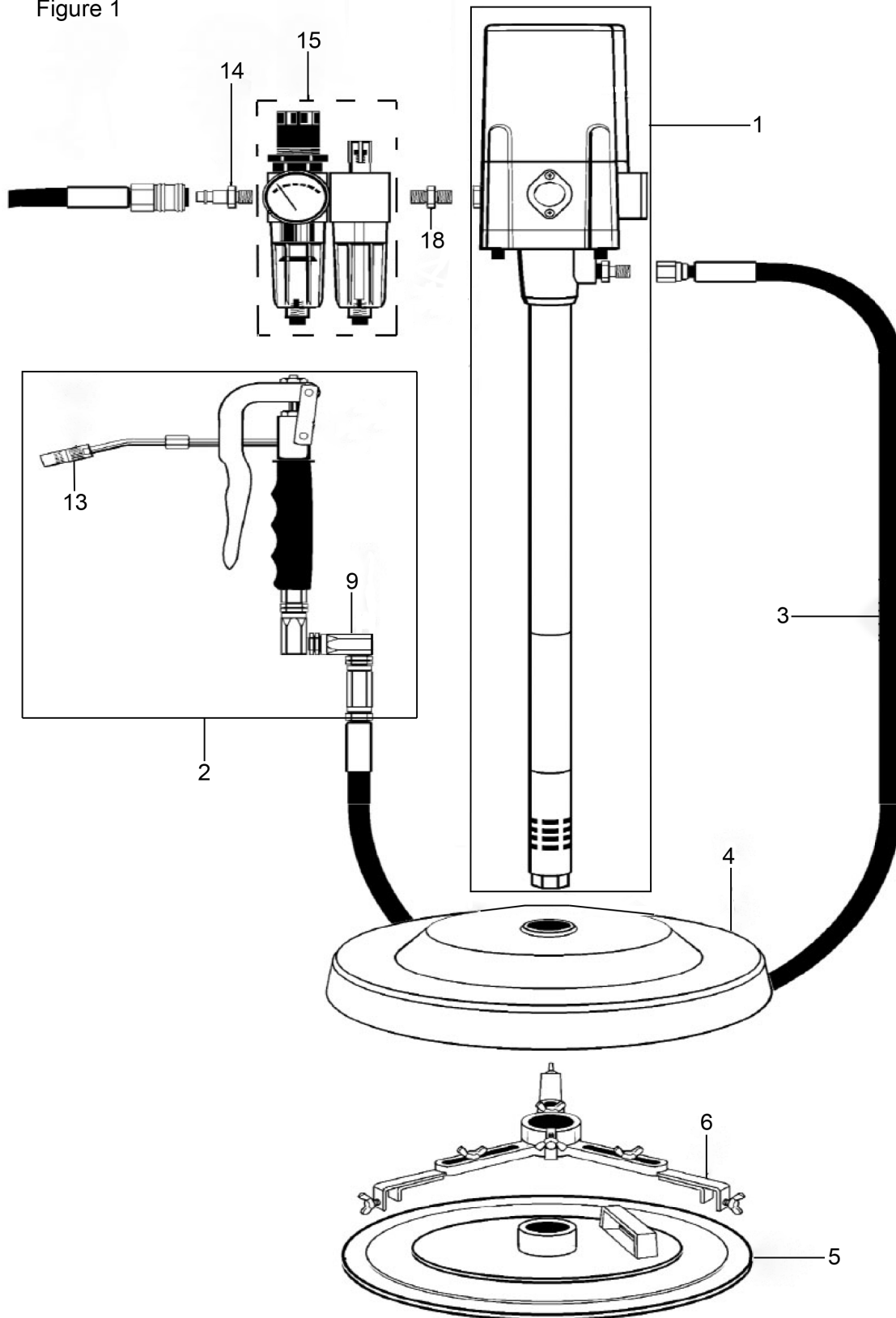


Figure 1



NOTE: It is our policy to continually improve products and as such we reserve the right to alter data, specifications and component parts without prior notice. There may be alternative versions of this product, please contact us should you require this information.

IMPORTANT: No liability is accepted for incorrect use of product. Spare parts must be fitted by a competent person

WARRANTY: Guarantee is 12 months from purchase date, proof of which will be required for any claim.



Parts Information:
Grease Pump Air Operated 50kg
Model No: AK453X.V2

Item	Part No.	Description
1	AK453X/PUMP	Grease Pump (See Fig. 2)
2	179/18104	Grease Control Valve Assembly (See Fig. 3)
3	179/18024	Hose, High Pressure 4m
4	179/17194	Dust Cover 385mm
5	179/17320	Follower Plate
6	179/17199	Fixing Bracket
9	179/18082	Z-Swivel
13	179/12631	4-Jaw Connector
14	179/12004	Hook On Connector, 16mm
15	179.20218	Regulator Assembly
18	179.20112	Connector

Item	Part No.	Description
--	AK453X.V3-06	Grease Control Gun Assembly (Not Shown)
--	AK453X.V3-08	Z-Swivel (Not Shown)
--	179/17008	Trolley (Not Shown)
--	179/17000	Fixing Strap for Trolley (Not Shown)
--	179/04698	Pressure Reduction Valve (Not Shown)
--	179/20218.950	Maintenance Unit (Not Shown)
--	179/12665	High Pressure Grease Hose (Not Shown)
--	179/12062	Button Head Coupler (Not Shown)
--	SA1/1414	1/4" BPST Double Male Union (Not Shown)
--	179/17198	Dust Cover 450mm (Not Shown)
--	179/17200	Dust Cover 600mm (Not Shown)

NOTE: It is our policy to continually improve products and as such we reserve the right to alter data, specifications and component parts without prior notice. There may be alternative versions of this product, please contact us should you require this information.

IMPORTANT: No liability is accepted for incorrect use of product. Spare parts must be fitted by a competent person

WARRANTY: Guarantee is 12 months from purchase date, proof of which will be required for any claim.

Sealey Group, Kempson Way, Suffolk Business Park, Bury St Edmunds, Suffolk. IP32 7AR



01284 757500



01284 703534

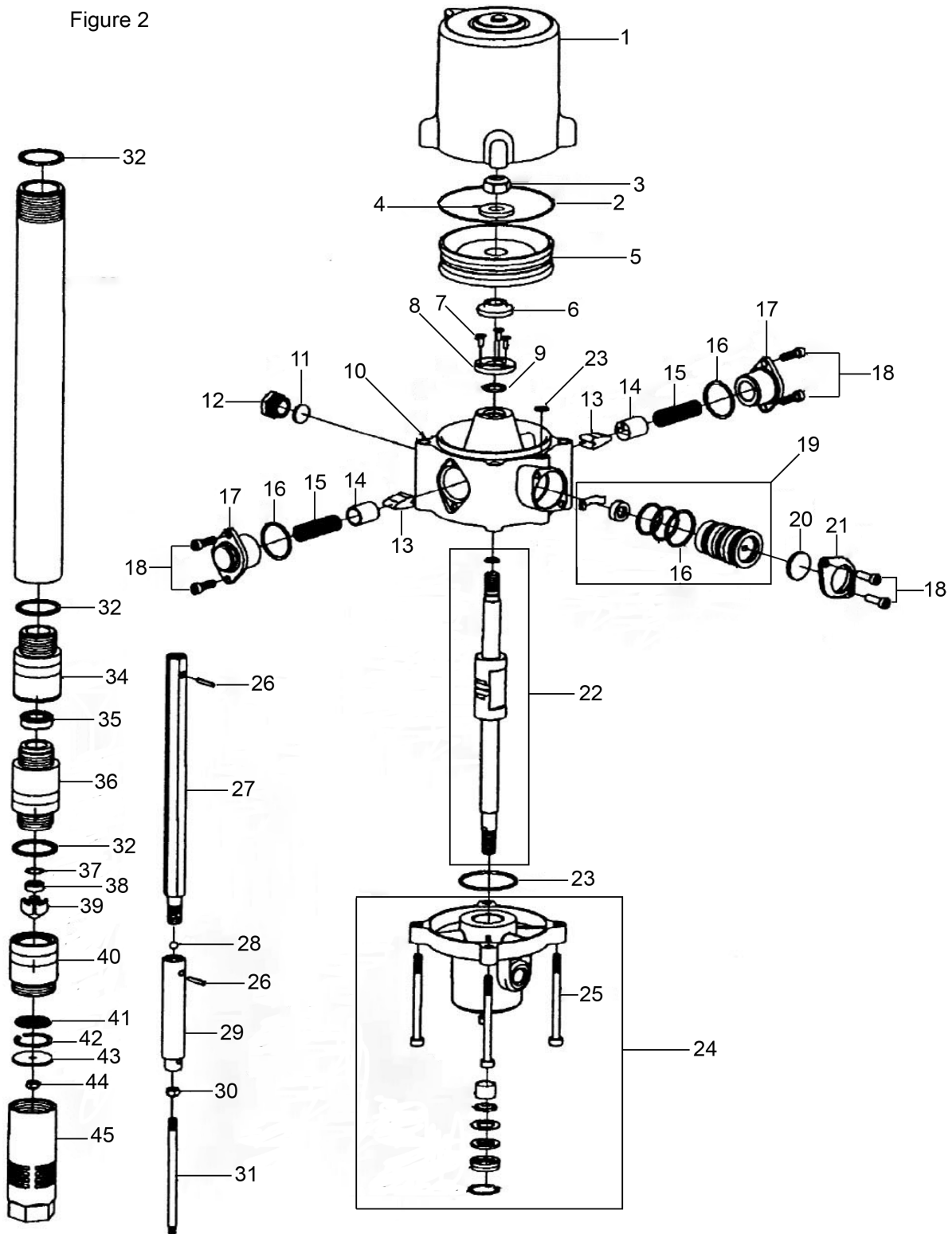


sales@sealey.co.uk



www.sealey.co.uk

Figure 2



NOTE: It is our policy to continually improve products and as such we reserve the right to alter data, specifications and component parts without prior notice. There may be alternative versions of this product, please contact us should you require this information.

IMPORTANT: No liability is accepted for incorrect use of product. Spare parts must be fitted by a competent person

WARRANTY: Guarantee is 12 months from purchase date, proof of which will be required for any claim.



Parts Information:
Grease Pump Air Operated 50kg
Model No: AK453X.V2

Item	Part No.	Description
1	179/03268	Casing, Top
2	179/03316	O-Ring
3	179/03311	Locking Nut
4	179/87116	Washer
5	179/03324	Plunger
6	179/03250	Compensating Washer
7	179/87221	Screw
8	179/87212	Washer
9	179/02380	O-Ring
10	179/87211	Intermediate Casing
11	179/87228	Filter
12	179/03319	Reducing Connector
13	179/87210	Control Lever
14	179/87209	Sleeve
15	179/87215	Compression Spring
16	SA141.24	O-Ring
17	179/87206	Insert
18	MSP516.S	Machine Screw Pan Head Phillips M5 x 16
19	179/87351	Distributor Repair Kit
20	179/87227	Muffler
21	179/87207	Retainer
22	179/87352	Piston Rod Repair Kit
23	179/87226	O-Ring
24	179/87355	Connecting Flange Repair Kit
25	179/87222	Screw
26	179/03260	Locking Pin
27	179/87518	Compression Rod (476mm)
28	SB-6.0	Steel Ball 6.0mm
29	179/87508	Pressure Piston
30	NLN8.S	Nyloc Nut M8

Item	Part No.	Description
31	179/87509	Threaded Rod
32	179/87521	O-Ring
34	179/87507	Adaptor
35	179/87522	Seal, Blue M16
36	179/87506	Pressure Cylinder
37	179/03501	Internal Circlip
38	179/00152	Seal
39	179/03477	Valve Cone
40	179/87505	Valve Body
41	179/03503	Filter
42	179/03328	External Circlip
43	RW525.S	Repair Washer M5 x 25
44	NLN5.S	Nyloc Nut M5
45	179/87504	Suction Sleeve
--	179/87513	Suction tube (529mm) (Not Shown)
--	179/87214	Clamp (Not Shown)
--	179/87213	Sliding Disc (Not Shown)
--	179/87225	O-Ring (Not Shown)
--	179/87224	O-Ring (Not Shown)
--	179/87204	Distributor (Not Shown)
--	179/03262	O-Ring (Not Shown)
--	179/87205	Piston Rod (Not Shown)
--	179/87216	Connecting Flange (Not Shown)
--	179/03307	Plastic Sleeve (Not Shown)
--	179/02380	O-Ring (Not Shown)
--	179/87262	Washer (Not Shown)
--	179/03292	Nylon Seal Ring, White M12 (Not Shown)
--	179/03387	Lip Seal, Blue (Not Shown)
--	179/03264	Internal Circlip (Not Shown)
--	179/87510	Suction Tube 229mm (Not Shown)

NOTE: It is our policy to continually improve products and as such we reserve the right to alter data, specifications and component parts without prior notice. There may be alternative versions of this product, please contact us should you require this information.

IMPORTANT: No liability is accepted for incorrect use of product. Spare parts must be fitted by a competent person

WARRANTY: Guarantee is 12 months from purchase date, proof of which will be required for any claim.

Sealey Group, Kempson Way, Suffolk Business Park, Bury St Edmunds, Suffolk. IP32 7AR



01284 757500



01284 703534

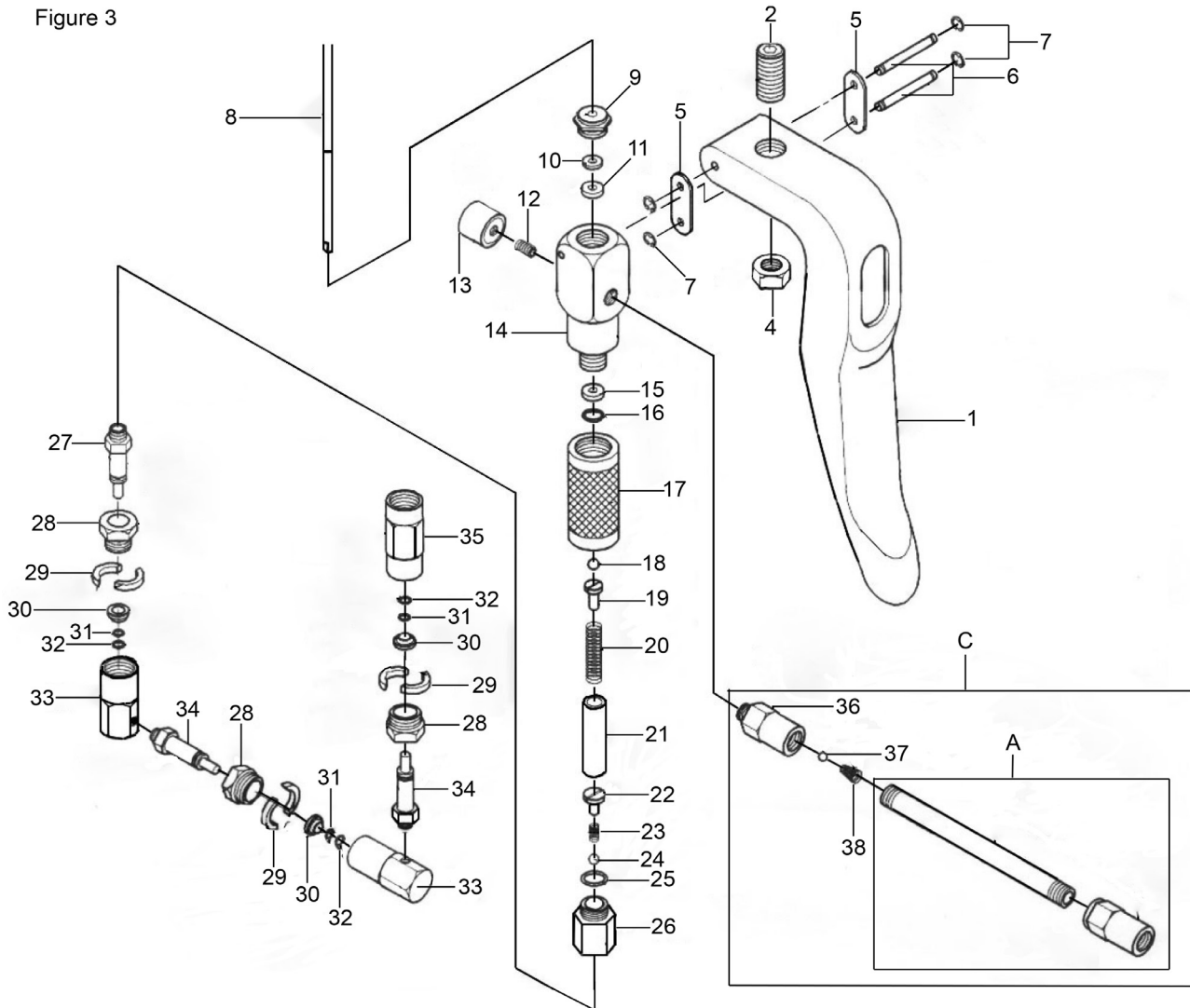


sales@sealey.co.uk



www.sealey.co.uk

Figure 3



Item	Part No.	Description
1	179/18104-1	Trigger
2	GSM105.S	Grub Screw M10 x 25
4	179/18104-4	Nut
5	179/18104-5	Locking Sheet
6	179/18104-6	Locking Pin
7	179/18104-7	E-Clip
8	179/18104-8	Dog Pin
9	179/18104-9	Locking Nut
10	179/18104-10	Spacer
11	179/18104-11	Oil Seal

Item	Part No.	Description
12	179/18104-12	Screw
13	179/18104-13	Balancing Post
14	179/18104-14	Housing
15	179/18104-15	Iron Sheet
16	179/18104-16	Brass Sheet
17	179/18104-17	Handle
18	179/18104-18	Steel Ball
19	179/18104-19	Center Sleeve
20	179/18104-20	Spring

NOTE: It is our policy to continually improve products and as such we reserve the right to alter data, specifications and component parts without prior notice. There may be alternative versions of this product, please contact us should you require this information.

IMPORTANT: No liability is accepted for incorrect use of product. Spare parts must be fitted by a competent person

WARRANTY: Guarantee is 12 months from purchase date, proof of which will be required for any claim.



Parts Information:
Grease Pump Air Operated 50kg
Model No: AK453X.V2

Item	Part No.	Description
21	179/18104-21	Guide Sleeve
22	179/18104-22	Reverse Screw
23	179/18104-23	Reverse Spring
24	179/18104-24	Reverse Steel Ball
25	179/18104-25	Ring
26	179/18104-26	Hex Screw Nut
27	179/18104-27	Spindle
28	179/18104-28	Nut for Swivel Post
29	179/18104-29	Half Ring
30	179/18104-30	Spacer
31	179/18104-31	Spacer
32	179/18104-32	O-Ring

Item	Part No.	Description
33	179/18104-33	Swivel Post
34	179/18104-34	Swivel Post Spindle
35	179/18104-35	Pouring Post
36	179/18104-36	Hex Grease Plug
37	SB-4.8	Steel Ball 4.8mm
38	179/18104-38	Reverse Spring Conical
C	179/18104-C	Adaptor Assembly (Parts 36-40)
A	179/18104-A	Rigid Tube 1/8"npt (Parts 39 + 40)
--	179/18104-3	Nut (Not Shown)
--	179/18104-RK	Repair Kit (Not Shown)
--	179/18104-B	Adaptor 1/8"npt(F) x 1/8"bsp(M)
--	179/18104A	Adaptor 1/4" (F) x 3/8" (M)

NOTE: It is our policy to continually improve products and as such we reserve the right to alter data, specifications and component parts without prior notice. There may be alternative versions of this product, please contact us should you require this information.

IMPORTANT: No liability is accepted for incorrect use of product. Spare parts must be fitted by a competent person

WARRANTY: Guarantee is 12 months from purchase date, proof of which will be required for any claim.

Sealey Group, Kempson Way, Suffolk Business Park, Bury St Edmunds, Suffolk. IP32 7AR



01284 757500



01284 703534



sales@sealey.co.uk



www.sealey.co.uk