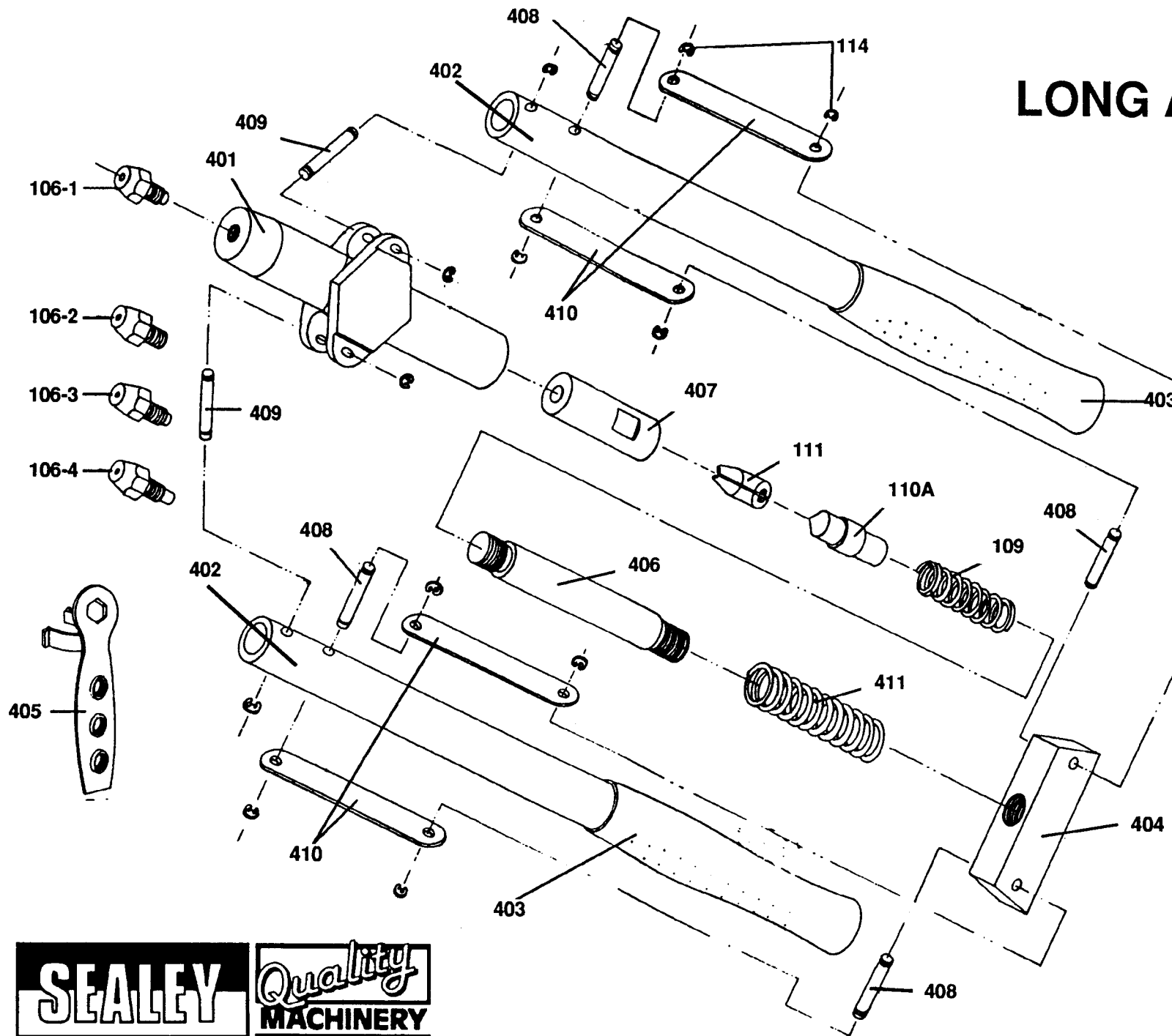


AK398 LONG ARM RIVETER



Part No.	Description
AK398/401	Body
AK398/402	Handle
AK398/403	Handle Grip
AK398/404	Cross Head
AK398/405	Spanners
AK398/406	Power Coupler
AK398/407	Jaw Case
AK398/408	Long Pin
AK398/409	Short Pin
AK398/410	Front Arm
AK398/411	Tensioner Spring
AK398/106-1	4.8 mm Nozzle
AK398/106-2	4.0 mm Nozzle
AK398/106-3	3.2 mm Nozzle
AK398/106-4	2.4 mm Nozzle
AK398/109	Jaw Pusher Spring
AK398/110A	Jaw Pusher
AK398/111	Jaws
AK398/114	Fulcrum Pin Circlip

SEALEY *Quality*
MACHINERY