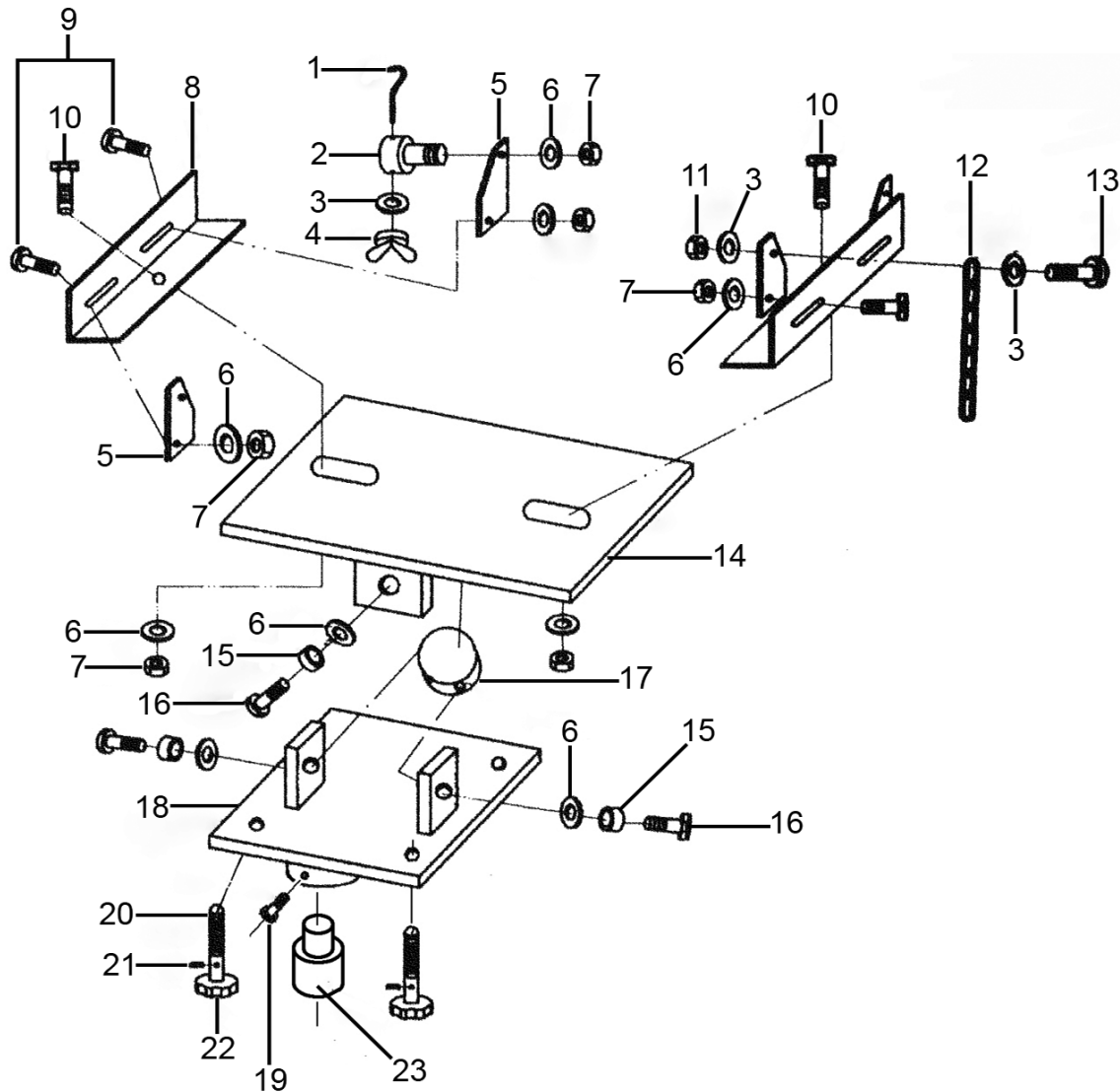


Parts Information:
Adjustable Gearbox Support 500kg
Capacity for 300TR, 300TRQ, 600TR,
600TRQ
Model No: ADT3



Item	Part No.	Description	Qty
1	ADT3.01	Hook Bolt	1
2	ADT3.02	Screw	1
3	FWM8.S	Flat Washer M8	3
4	SN8.SW	Wing Nut M8	1
5	ADT3.05	Plate	4
6	FWM10.S	Flat Washer M10	12
7	SN10.S	Steel Nut M10	9
8	ADT3.08	Bracket	2
9	SS1025.S	Hex Head Set Screw M10 x 25mm	4
10	SS1035.S	Hex Head Set Screw M10 x 35mm	2
11	SN8.S	Steel Nut M8	1
12	ADT3.12	Chain	1

Item	Part No.	Description	Qty
13	ADT3.13	Bolt	1
14	ADT3.14	Saddle 350 x 200mm	1
15	ADT3.15	Bush	3
16	SCB1025.SB	Socket Cap Bolt M10 x 25mm Black	3
17	ADT3.17	Connecting Plate	1
18	ADT3.18	Bottom Plate	1
19	ADT3.19	Screw	1
20	ADT3.20	Adjustable Screw	4
21	ADT3.21	Spring Pin M3.2 x 25mm	4
22	ADT3.22	Grip	4
23	ADT3.23	Adaptor 30mm (M) - 25mm (F)	1

NOTE: It is our policy to continually improve products and as such we reserve the right to alter data, specifications and component parts without prior notice. There may be alternative versions of this product, please contact us should you require this information.

IMPORTANT: No liability is accepted for incorrect use of product. Spare parts must be fitted by a competent person

WARRANTY: Guarantee is 12 months from purchase date, proof of which will be required for any claim.