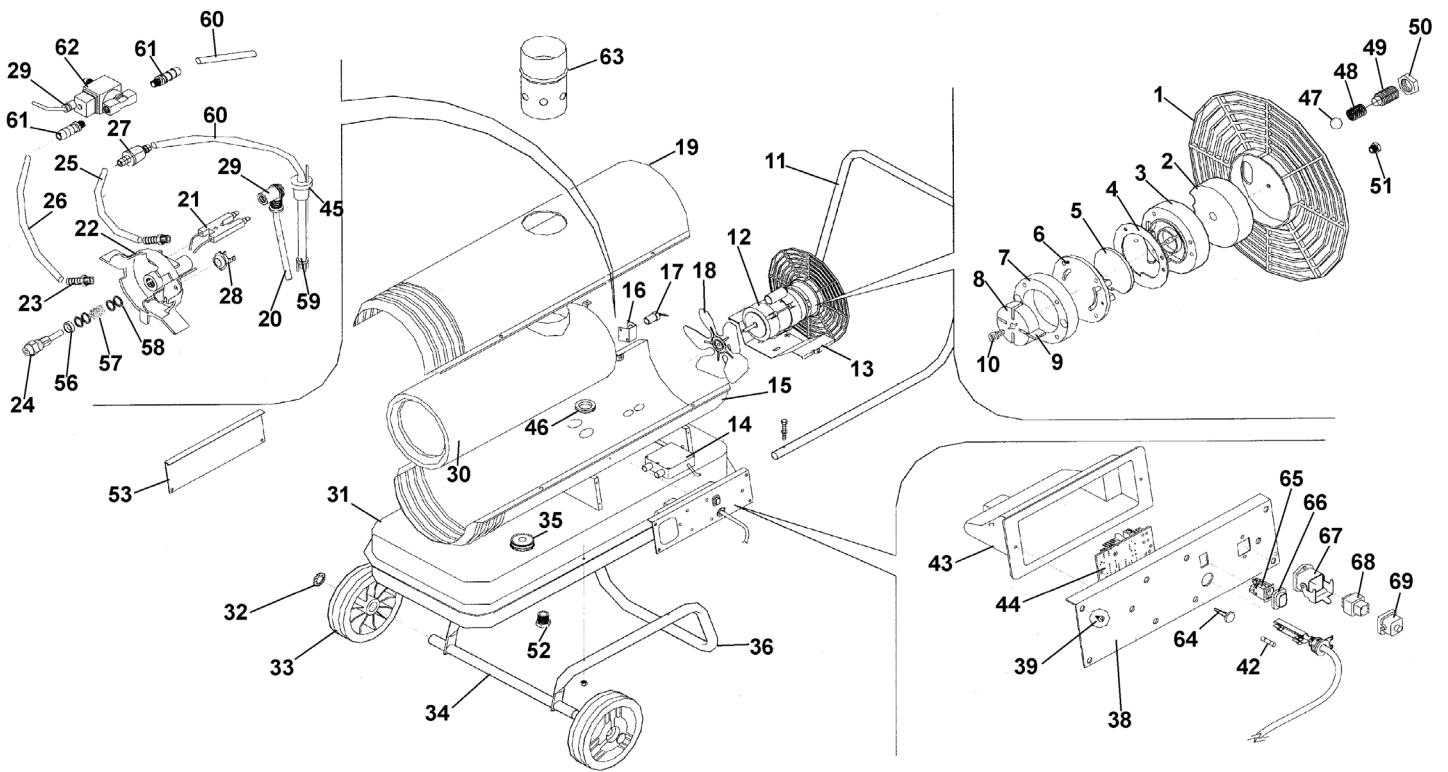




Parts Information:  
Space Warmer® Paraffin/Diesel Heater  
90,000Btu/hr with Chimney  
Model No: AB902.V2



**NOTE:** It is our policy to continually improve products and as such we reserve the right to alter data, specifications and component parts without prior notice.

**IMPORTANT:** No liability is accepted for incorrect use of product.

**WARRANTY:** Guarantee is 12 months from purchase date, proof of which will be required for any claim.

Sealey Group, Kempson Way, Suffolk Business Park, Bury St Edmunds, Suffolk. IP32 7AR



01284 757500



01284 703534



sales@sealey.co.uk



www.sealey.co.uk



Parts Information:  
**Space Warmer® Paraffin/Diesel Heater**  
**90,000Btu/hr with Chimney**  
**Model No: AB902.V2**

Item	Part No.	Description
1	SL20010093	Rear Guard
2	SL20190009	Air Inlet Filter
3	SL20620056	Filter Casing Gry
4	SL20020003	Gasket Compressor Gry
5	SL20190000	Outlet Filter Gry
6	SL20620055	Compressor Cover
7	SL20620061	Stator Ring th.21.01mm
8	SL20260020	Rotor sp .21mm 98
9	SL20260016	Blade th.21mm 98
10	SL20010016	Coupling l.21
11	SL20610143	Axle
12	SL20400016	Motor Gry25/40/60 250 (Internal 230V 50hz 250W)
13	SL20620048	Motor Support
14	SL20330010	Transformer
15	SL1094077811	Lower Casing
--	SL20630077	Lower Body (NOT SHOWN)
16	SL20620529	Flame Sensor Support
17	SL20500003	Flame Sensor
18	SL20200045	Fan
19	SL1094078011	Upper Casing
20	SL1039033211	HT Cable (2002/03)
21	SL20300006	Ignition Elecrode Gry20/28/40/60
22	SL20620672	Burner Head
23	SL20120036	Hose Holder
24	SL20210035	Nozzle 0.75gph - Delavan 30609-41
25	SL20160019	Oil Hose 12mm x 7.0mm x 80mm
26	SL20160030	Hose (l=230mm)
27	SL20190010	Oil Suction Filter
28	SL20360006	Safety Thermostat 16A 250V 265°c
29	SL20430008	Cable + Connector
30	SLGRY025	Combustion Chamber
31	SL20631792	Tank
32	SL20230222	Wheel Ring

Item	Part No.	Description
33	SL20040001	Wheel,Fixed (199x20x48)
34	SL20610143	Axle
35	SL20620034	Tank Cap (d.55mm)
36	SL20610216	Frame Gry40 Blacl Ral
38	SL025F20	Left Side Panel
39	SL20230012	RD Head S/T Screw M3.8 x 6
42	SL20350007	Fuse Glass 5Amp 250V 6x32
43	SL1001016711	Cover
44	SL20470021	Control Board
45	SL20020019	Suction Gasket (25mm Diameter)
46	SL1002002100	Rubber Ring
47	SB-5.6	Steel Ball 5.6mm
48	SL20230234	Spring
49	SL20230230	Adjusting Screw M8 x 1
50	SL20230124	5/16 unf Half Nuts
51	SL20120039	Cap
52	SL20120040	Drain Cap
53	SL20621800	Side Right Panel
56	SL20020001	Nozzle Rubber Ring
57	SL1023004111	Nozzle Spring
--	SL20230232	Spring (NOT SHOWN)
58	FWM6.S	Flat Washer M6 Single
59	SL1001014711	Suction Fitting
60	SL1078000411	Oil Hose l=200mm
61	SL20120035	Hose Holder
62	SL20420012	Solenoid Valve
63	SL1094078411	Exhaust Hood
64	SL20010048	Spacer
65	SL20320005	Switch On/Off Dual-Pol Kid10/1
66	SL20020011	Switch Cap
67	SL20430002	Socket Casing
68	SL20430000	Socket
69	SL20070022	Cap
--	SL1036002700	Room Thermostat (NOT SHOWN)

**NOTE:** It is our policy to continually improve products and as such we reserve the right to alter data, specifications and component parts without prior notice.

**IMPORTANT:** No liability is accepted for incorrect use of product.

**WARRANTY:** Guarantee is 12 months from purchase date, proof of which will be required for any claim.

**Sealey Group**, Kempson Way, Suffolk Business Park, Bury St Edmunds, Suffolk. IP32 7AR



01284 757500



01284 703534



sales@sealey.co.uk



www.sealey.co.uk