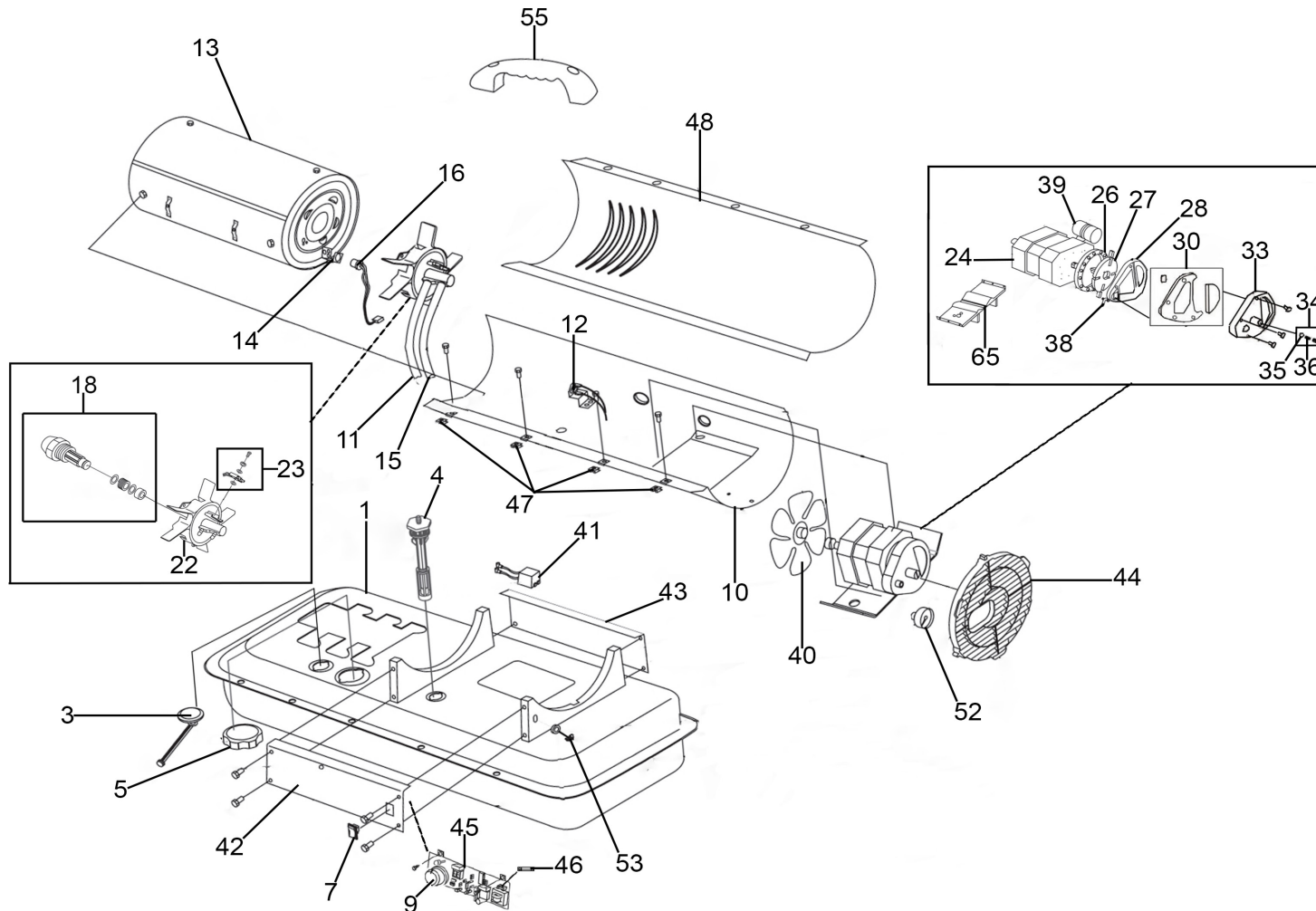




Parts Information:
Space Warmer® Paraffin/Kerosene/Diesel Heater 70,000Btu/hr without
Wheels
Model No: AB708.V2



NOTE: It is our policy to continually improve products and as such we reserve the right to alter data, specifications and component parts without prior notice.

There may be alternative versions of this product, please contact us should you require this information.

IMPORTANT: No liability is accepted for incorrect use of product. Spare parts must be fitted by a competent person

WARRANTY: Guarantee is 12 months from purchase date, proof of which will be required for any claim.

Sealey Group, Kempson Way, Suffolk Business Park, Bury St Edmunds, Suffolk. IP32 7AR



01284 757500



sales@sealey.co.uk



www.sealey.co.uk



Parts Information:
Space Warmer® Paraffin/Kerosene/Diesel
Heater 70,000Btu/hr without Wheels
Model No: AB708.V2

Item	Part No.	Description	Qty
1	P70-002-0100	Fuel Tank Assembly	1
3	P70-007-0115	Fuel Gauge Assembly	1
4	P70-003-0100	Fuel Filter Assembly	1
5	P70-006-0120	Fuel Cap Assembly Ø 33mm (c/w Gasket)	1
7	P70-038-0110	Switch, On/Off Rocker 12A 250V	1
9	P70-031-0100	Knob, Thermostat Control Ø 55mm	1
10	P70-001-0901	Lower Cover	1
11	P70-035-0200	Air Hose 6 x 10.6 x 370mm	1
12	P70-019-0100	Thermal Cut Out Switch	1
13	P70-011-0200	Combustion Chamber	1
14	P70-010-0101	Flame Sensor Bracket	1
15	P70-036-0200	Fuel Hose 6 x 12 x 150mm	1
16	P70-016-0100	Flame Sensor (2 Pin)	1
18	P70-015-0200	Nozzle - Delavan 70K	1
--	P70-015-0100	Nozzle - Delavan 45K (Alternative)	--
22	P70-014-0101	Burner Head	1
23	P70-052-0100	Spark Plug	1
24	P70-021-0501	Motor 230V 50Hz	1
26	P70-020-0101	Pump Body 1/2"	1
27	P70-022-0100	Rotor Kit 1/2" (c/w Vanes & Clip)	1
28	P70-020-0102	End Pump Cover	1
30	P70-054-0100	Filter Kit	1

Item	Part No.	Description	Qty
33	P70-020-0103	End Filter Cover	1
34	P70-055-0100	Plug/Pump Adjust Kit	1
35	SB-6.4	Steel Ball 6.4mm	1
36	P70-020-0105	Spring	1
38	P70-014-0104	Nipple	1
39	P70-020-0221	Capacitor 7µF 50/60Hz 70 x 40mm	1
40	P70-024-0200	Fan	1
41	P70-037-0100	Ignitor	1
42	P70-008-0200	Right Side Cover	1
43	P70-009-0100	Left Side Cover	1
44	P70-016-0700	Fan Guard	1
45	P70-027-0200	PCB, 160 x 70mm (c/w Potentiometer, LED & Fuse)	1
46	P70-027-0101	Fuse 5A 250V 5 x 20mm	1
47	P70-001-0105	Clip Nut	4
48	P70-001-0902	Upper Cover	1
52	P70-025-0100	Air Pressure Gauge	1
53	P70-033-0100	Cord Bushing	1
55	P70-001-0103	Handle	1
65	P70-020-0610	Support Plate	1
--	P70-056-0100	Hardware Kit (Not Shown)	--
--	P70-032-0100	Cord Wrap (Not Shown)	--
--	P70-001-0104	Hinge Pin (Not Shown)	--

NOTE: It is our policy to continually improve products and as such we reserve the right to alter data, specifications and component parts without prior notice. There may be alternative versions of this product, please contact us should you require this information.

IMPORTANT: No liability is accepted for incorrect use of product. Spare parts must be fitted by a competent person

WARRANTY: Guarantee is 12 months from purchase date, proof of which will be required for any claim.

Sealey Group, Kempson Way, Suffolk Business Park, Bury St Edmunds, Suffolk. IP32 7AR



01284 757500



sales@sealey.co.uk



www.sealey.co.uk