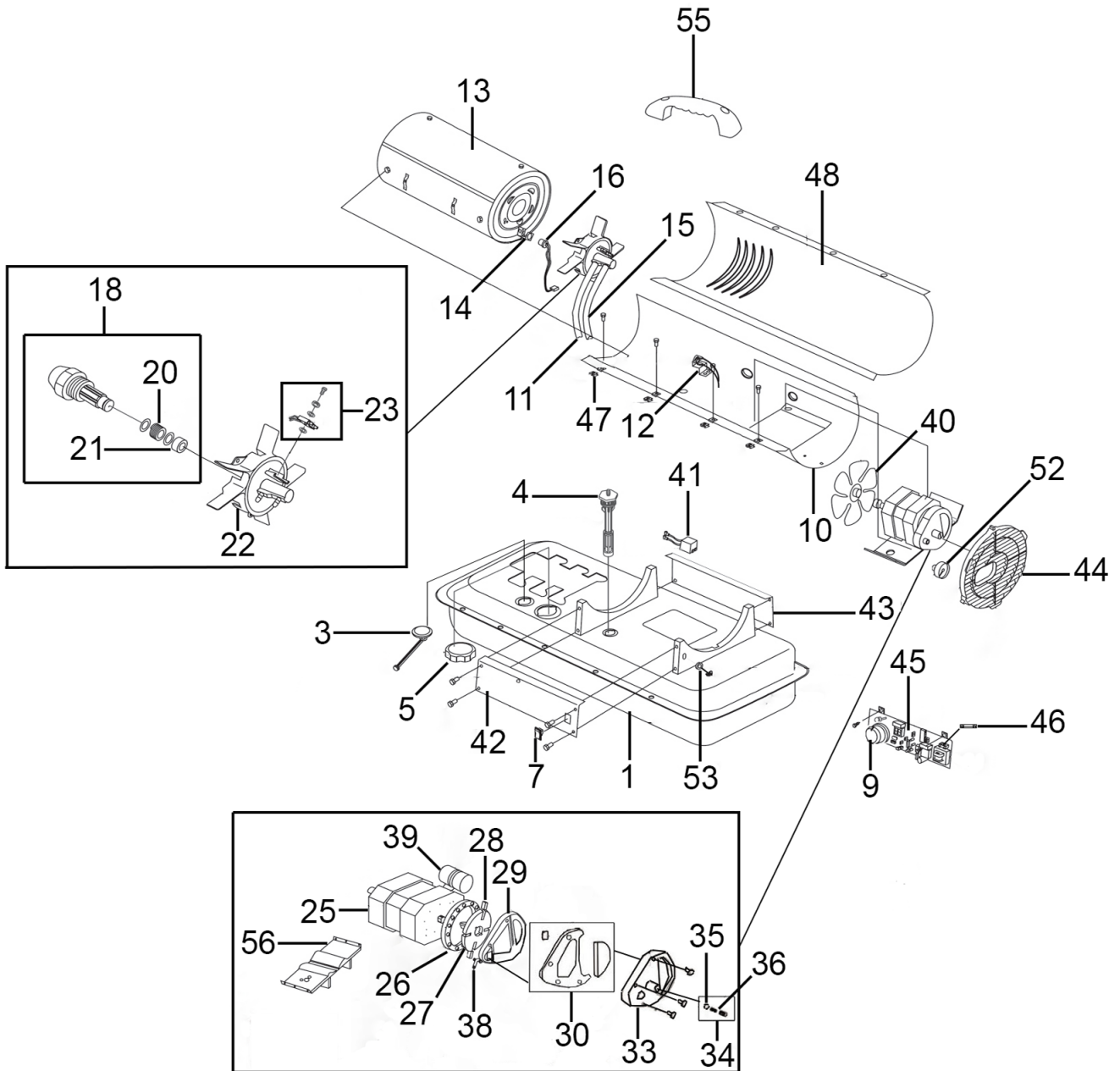




Parts Information:  
Space Warmer® Paraffin/Diesel Heater  
70,000Btu/hr without Wheels  
Model No: AB708



**NOTE:** It is our policy to continually improve products and as such we reserve the right to alter data, specifications and component parts without prior notice. There may be alternative versions of this product, please contact us should you require this information.

**IMPORTANT:** No liability is accepted for incorrect use of product. Spare parts must be fitted by a competent person

**WARRANTY:** Guarantee is 12 months from purchase date, proof of which will be required for any claim.

Sealey Group, Kempson Way, Suffolk Business Park, Bury St Edmunds, Suffolk. IP32 7AR



01284 757500



01284 703534



sales@sealey.co.uk



www.sealey.co.uk



Parts Information:  
Space Warmer® Paraffin/Diesel Heater  
70,000Btu/hr without Wheels  
Model No: AB708

| Item | Part No.     | Description                     |
|------|--------------|---------------------------------|
| 1    | P70-002-0100 | Fuel Tank Assembly              |
| 3    | P70-007-0100 | Fuel Gauge Assembly             |
| 4    | P70-003-0100 | Fuel Filter Assembly            |
| 5    | P70-006-0120 | Fuel Cap Assembly               |
| 7    | P75-012-0110 | Switch, On/Off Rocker 3A/250V   |
| 9    | P70-031-0100 | Thermostat Control Knob         |
| 10   | P70-001-0902 | Lower Cover                     |
| 11   | P70-035-0200 | Air Hose                        |
| 12   | P70-019-0100 | Thermal Cut Out Switch (B080)   |
| 13   | P70-010-0200 | Combustion Chamber              |
| 14   | P70-010-0101 | Flame Sensor Bracket            |
| 15   | P70-036-0200 | Fuel Hose                       |
| 16   | P70-016-0100 | Flame Sensor                    |
| 18   | P70-015-0200 | Nozzle - Delavan 70 K           |
| 20   | P70-015-0102 | Nozzle Seal Spring              |
| 21   | P70-015-0103 | Nozzle Sleeve                   |
| 22   | P70-014-0101 | Burner Head                     |
| 23   | P70-052-0100 | Spark Plug                      |
| 25   | P70-021-0501 | Motor (Internal 230V 50Hz)      |
| 26   | P70-020-0101 | Pump Body 1/2"                  |
| 27   | P70-022-0100 | Rotor Kit 1/2" (c/w Vanes/Clip) |
| 28   | P70-022-0230 | Rotor Blade 1/2" (Set of 4)     |
| 29   | P70-020-0102 | End Pump Cover                  |
| 30   | P70-054-0100 | Filter Kit                      |
| 33   | P70-020-0103 | End Filter Cover                |
| 34   | P70-055-0100 | Plug/Pump Adjust Kit            |

| Item | Part No.     | Description                             |
|------|--------------|---|
| 35   | SB-6.4       | Steel Ball 6.4mm                        |
| 36   | P70-020-0105 | Spring                                  |
| 38   | P70-014-0104 | Nipple                                  |
| 39   | P70-020-0127 | Capacitor 230V/50Hz 50x30               |
| 40   | P70-024-0200 | Fan                                     |
| 41   | P70-037-0100 | Ignitor                                 |
| 42   | P70-008-0200 | Right Side Cover                        |
| 43   | P70-009-0100 | Left Side Cover                         |
| 44   | P70-016-0700 | Fan Guard                               |
| 45   | P70-027-0200 | Main PCB Assembly                       |
| 46   | P70-027-0101 | Fuse, Glass 5Amp 250V 5x20              |
| 47   | P70-001-0105 | Clip Nut                                |
| 48   | P70-001-0901 | Upper Cover                             |
| 52   | P70-025-0100 | Air Pressure Gauge                      |
| 53   | P70-033-0100 | Cord Bushing                            |
| 55   | P70-001-0103 | Handle                                  |
| 56   | P70-020-0610 | Support Plate                           |
| --   | P70-015-0100 | Nozzle - Delavan 45 K                   |
| --   | P70-020-0401 | Pump Body 5/8" (Not Shown)              |
| --   | P70-022-0202 | Rotor Blade (Set of 4) 5/8" (Not Shown) |
| --   | P70-056-0100 | Fixing Kit (Not Shown)                  |
| --   | P70-032-0100 | Cord Wrap (Not Shown)                   |
| --   | P70-001-0104 | Hinge Pin (Not Shown)                   |
| --   | P71-022-1200 | Rotor Clip (Not Shown)                  |
| --   | P70-028-0100 | PCB Support (Not Shown)                 |
| --   | P70-016-0115 | Room Sensor Cable (Not Shown)           |

**NOTE:** It is our policy to continually improve products and as such we reserve the right to alter data, specifications and component parts without prior notice. There may be alternative versions of this product, please contact us should you require this information.

**IMPORTANT:** No liability is accepted for incorrect use of product. Spare parts must be fitted by a competent person

**WARRANTY:** Guarantee is 12 months from purchase date, proof of which will be required for any claim.

Sealey Group, Kempson Way, Suffolk Business Park, Bury St Edmunds, Suffolk. IP32 7AR



01284 757500



01284 703534



sales@sealey.co.uk



www.sealey.co.uk