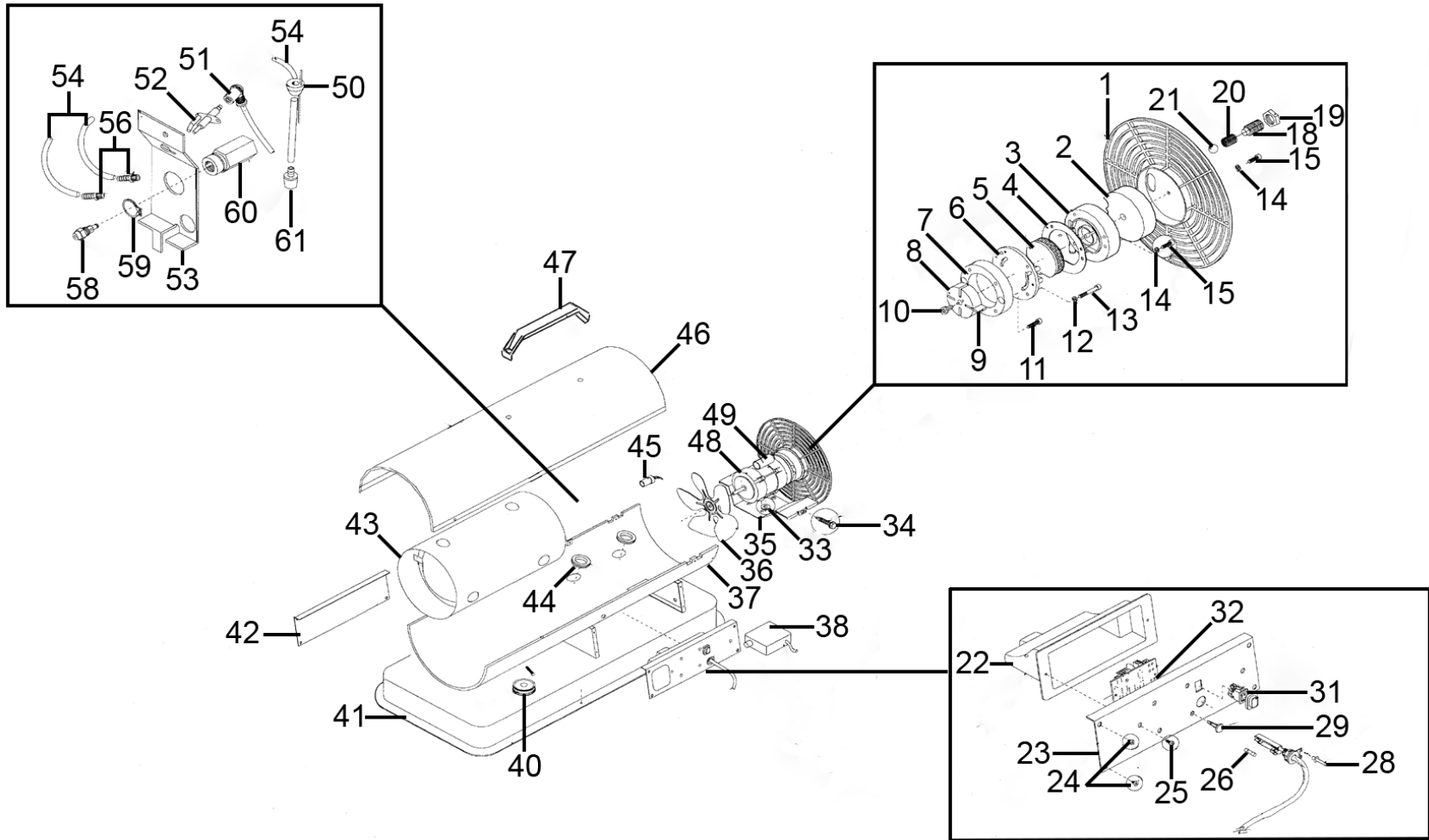




Parts Information:  
**Space Warmer® Paraffin/Diesel Heater 51,250Btu/hr w/o Wheels**  
**Model No: AB602.V2**



**NOTE:** It is our policy to continually improve products and as such we reserve the right to alter data, specifications and component parts without prior notice.

There may be alternative versions of this product, please contact us should you require this information.

**IMPORTANT:** No liability is accepted for incorrect use of product. Spare parts must be fitted by a competent person

**WARRANTY:** Guarantee is 12 months from purchase date, proof of which will be required for any claim.

Sealey Group, Kempson Way, Suffolk Business Park, Bury St Edmunds, Suffolk. IP32 7AR



01284 757500



01284 703534



sales@sealey.co.uk



www.sealey.co.uk



Parts Information:  
Space Warmer® Paraffin/Diesel Heater  
51,250Btu/hr w/o Wheels  
Model No: AB602.V2

Item	Part No.	Description
1	SL20010091	Rear Guard
2	SL20190009	Air Inlet Filter
3	SL20620056	Filter Casing
4	SL20020003	Gasket Compressor
5	SL20190000	Outlet Filter
6	SL20620055	Compressor Cover
7	SL20620060	Stator Ring
8	SL20260018	Rotor
9	SL20260017	Blade
10	SL20010015	Rotor Clip
11	SCB520.S	Socket Cap Bolt M5 x 20mm
12	SWM5.SB	Spring Washer M5 Black
13	SCB535.S	Socket Cap Screw M5 x 35mm
14	SWM5.SB	Spring Washer M5 Black
15	SCB516.S	Socket Cap Bolt M5 x 16mm
18	SL20230230	Adjusting Screw M8 x 1.0
19	SL20230124	5/16" UNF Half Nut
20	SL20230234	Spring
21	SB-5.6	Steel Ball
22	SL1001007736	Electrical Panel Cover
23	SL020N20	Side Panel, Left
24	SL1016001700	Screw
25	SL1016008711	Screw
26	SL20350006	Fuse
28	SL1019002800	Rivet
29	SL20010048	Spacer
31	SL20320005	Power Switch, Rocker (c/w Cover)
32	SL20470013	Flame Control Unit

Item	Part No.	Description
33	SL20230142	Washer
34	SL1016010200	Screw
35	SL1094005911	Motor Support
36	SL1087006011	Fan
37	SL015911	Lower Casing
38	SL20330009	Ignition Transformer
40	SL20620034	Tank Cap
41	SL020MN820	Tank
42	SL20621792	Side Panel, Right
43	SL20090014	Combustion Chamber
44	SL1002002100	Rubber Ring
45	SL20500003	Flame Sensor
46	SL015MNG911	Upper Casing
47	SL1001002700	Handle
48	SL1040011411	Motor
49	SL20490011	Capacitor
50	SL20020019	Suction Gasket
51	SL1039033211	HT Lead
52	SL20300011	Ignition Electrode
53	SL1094138211	Combustion Head
54	SL20160021	Air Hose
56	SL20120036	Hose Holder
58	SL20210043	Nozzle
59	SL1018004011	Circlip
60	SL20010059	Nozzle Holder
61	SL20190019	Oil Suction Filter
--	SL20020011	Switch Cover (Not Shown)

**NOTE:** It is our policy to continually improve products and as such we reserve the right to alter data, specifications and component parts without prior notice. There may be alternative versions of this product, please contact us should you require this information.

**IMPORTANT:** No liability is accepted for incorrect use of product. Spare parts must be fitted by a competent person

**WARRANTY:** Guarantee is 12 months from purchase date, proof of which will be required for any claim.

Sealey Group, Kempson Way, Suffolk Business Park, Bury St Edmunds, Suffolk. IP32 7AR



01284 757500



01284 703534



sales@sealey.co.uk



www.sealey.co.uk