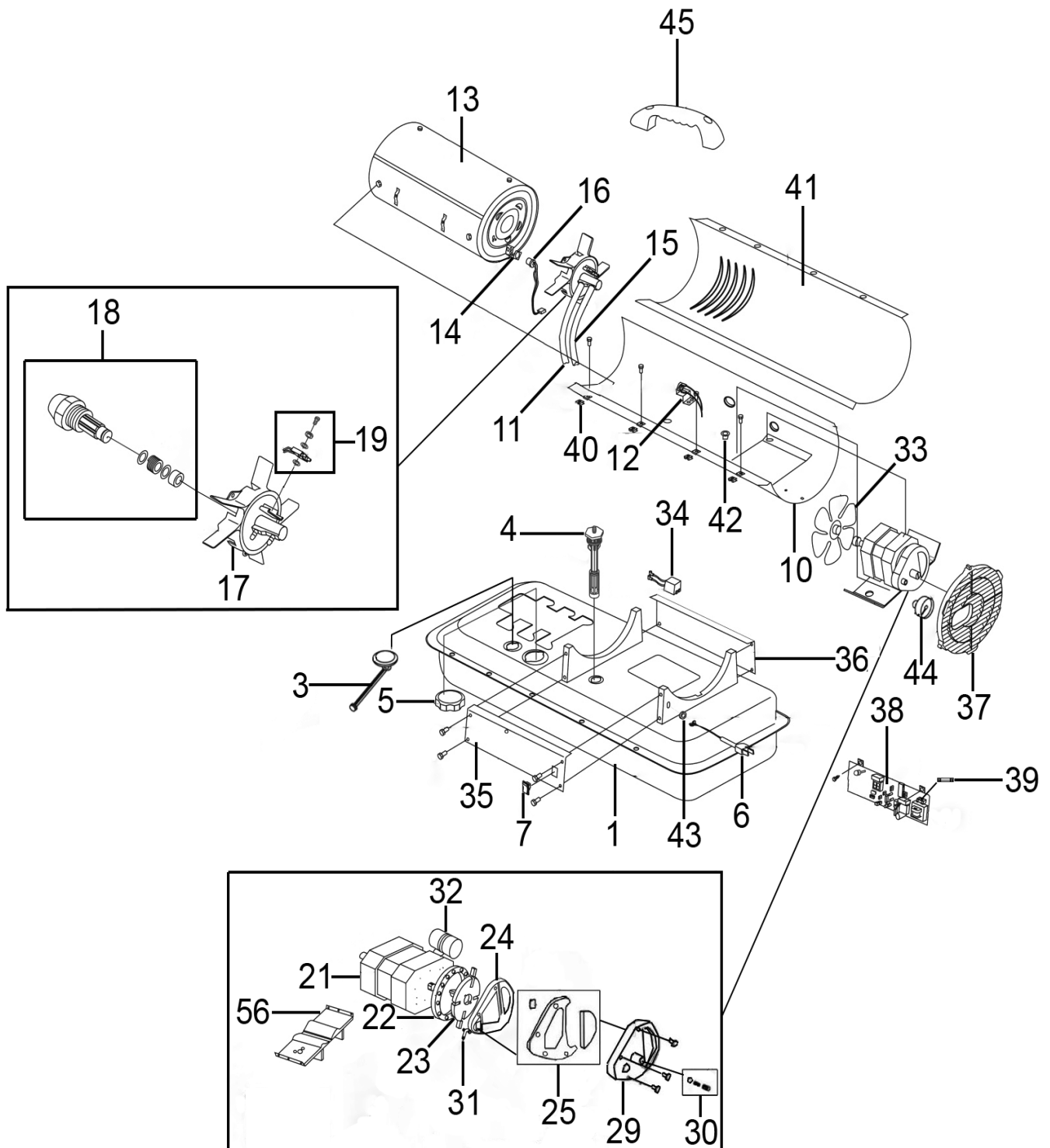




Parts Information:
Space Warmer® Paraffin/Kerosene/Diesel
Heater 45,000Btu/hr without Wheels
Model No: AB458.V3



NOTE: It is our policy to continually improve products and as such we reserve the right to alter data, specifications and component parts without prior notice. There may be alternative versions of this product, please contact us should you require this information.

IMPORTANT: No liability is accepted for incorrect use of product. Spare parts must be fitted by a competent person

WARRANTY: Guarantee is 12 months from purchase date, proof of which will be required for any claim.

Sealey Group, Kempson Way, Suffolk Business Park, Bury St Edmunds, Suffolk. IP32 7AR



01284 757500



sales@sealey.co.uk



www.sealey.co.uk



Parts Information:
**Space Warmer® Paraffin/Kerosene/Diesel
Heater 45,000Btu/hr without Wheels
Model No: AB458.V3**

Item	Part No.	Description	Qty
1	P70-002-0150	Fuel Tank	1
3	P70-007-0100	Fuel Gauge Assembly	1
4	P70-003-0100	Fuel Filter Assembly	1
5	P70-006-0135	Fuel Cap Ø 55mm (c/w Seal)	1
6	MC3CX0.75	Mains Cable	1
7	P70-038-0110	Switch, On/Off Rocker 12A 250V	1
10	P70-001-3007	Lower Cover	1
11	P70-035-0100	Air Hose 6 x 10 x 400mm	1
12	P70-019-0100	Thermal Cut Out Switch	1
13	P70-011-0100	Combustion Chamber	1
14	P70-010-0101	Flame Sensor Bracket	1
15	P70-036-0100	Fuel hose 4mm x 10mm x 160mm	1
16	P70-016-0100	Flame Sensor (2 Pin Plug)	1
17	P70-014-0101	Burner Head	1
18	P70-015-0100	Nozzle - Delavan 45K	1
19	P70-052-0100	Spark Plug	1
21	P70-021-0501	Motor 230V 50Hz	1
22	P70-020-0101	Pump Body 1/2"	1
23	P70-022-0100	Rotor Kit 1/2" (c/w Vanes & Clip)	1
24	P70-020-0102	End Pump Cover	1

Item	Part No.	Description	Qty
25	P70-054-0100	Filter Kit	1
29	P70-020-0103	End Filter Cover	1
30	P70-055-0100	Plug/Pump Adjust Kit	1
31	P70-014-0104	Nipple	1
32	P70-020-0130	Capacitor 230v 50Hz	1
33	P70-024-0100	Fan	1
34	P70-037-0330	Ignitor	1
35	P70-008-0100	Right Side Cover	1
36	P70-009-0100	Left Side Cover	1
37	P70-016-0700	Fan Guard	1
38	P70-027-0350	PCB	1
39	P70-027-0101	Fuse 5A 250V 5 x 20mm	1
40	P70-001-0105	Clip Nut	4
41	P70-001-3006	Upper Cover	1
42	P70-017-0100	Bushing Grommet	1
43	P70-033-0100	Cord Bushing	1
44	P70-025-0100	Air Pressure Gauge	1
45	P70-001-0103	Handle	1
56	P70-020-0600	Motor Support Plate	1

NOTE: It is our policy to continually improve products and as such we reserve the right to alter data, specifications and component parts without prior notice. There may be alternative versions of this product, please contact us should you require this information.

IMPORTANT: No liability is accepted for incorrect use of product. Spare parts must be fitted by a competent person

WARRANTY: Guarantee is 12 months from purchase date, proof of which will be required for any claim.

Sealey Group, Kempson Way, Suffolk Business Park, Bury St Edmunds, Suffolk. IP32 7AR



01284 757500



sales@sealey.co.uk



www.sealey.co.uk