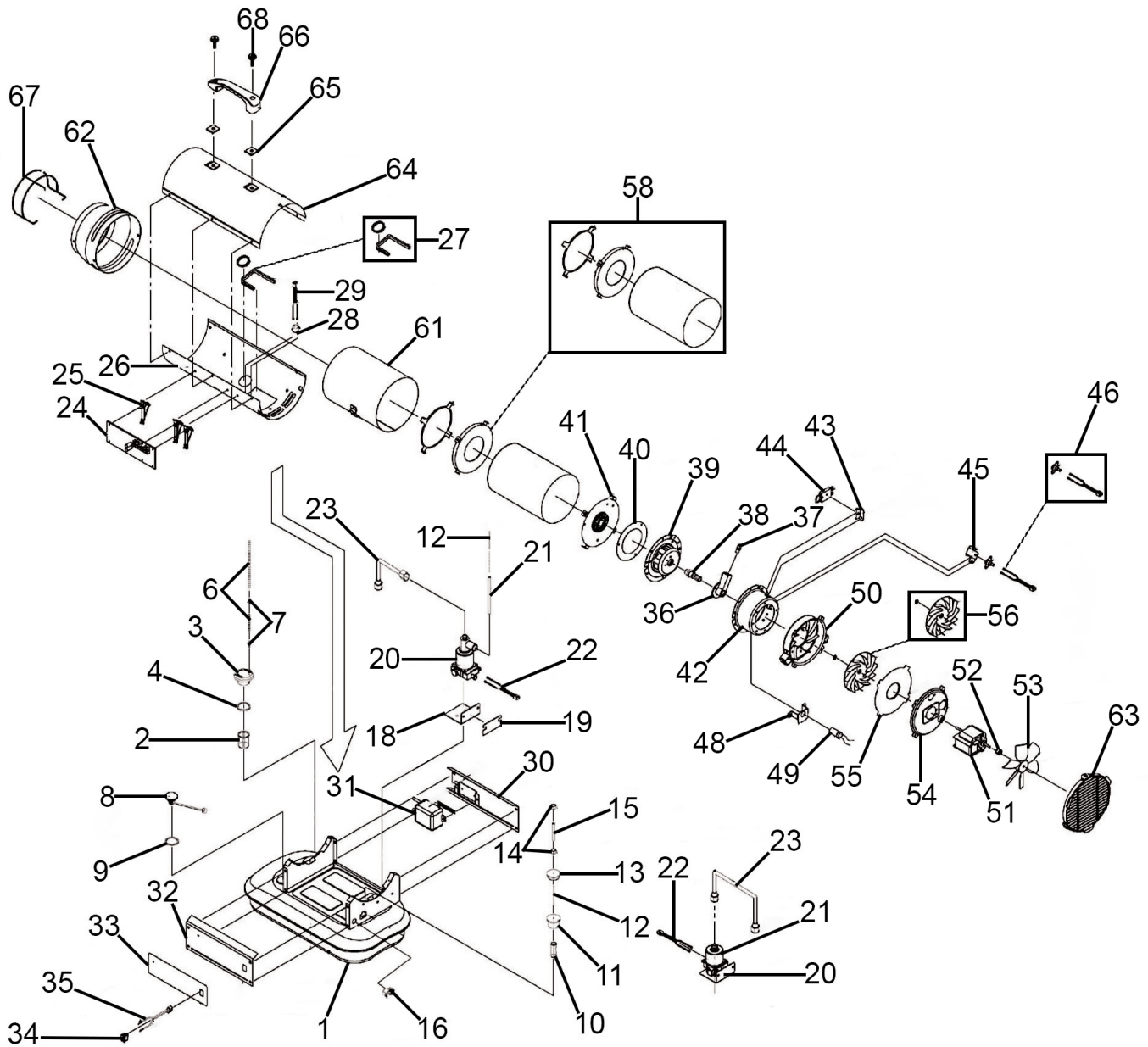




Parts Information:  
**Space Warmer® Paraffin/Diesel Heater**  
**38,000Btu/hr without Wheels Ultra Quiet**  
**Model No: AB358S**



Item	Part No.	Description	Qty
1	P75-001-0100	Fuel Tank Assembly	1
2	P75-020-0100	Fuel Filter Assembly	1
3	P70-006-0120	Fuel Cap Assembly Ø 33mm	1
4	P70-006-0220	Fuel Cap Seal	1
6	P75-022-0120	Fuel Chain	2
7	P75-022-0130	Washer	1
8	P75-022-0100	Fuel Gauge Assembly	1
9	P75-022-0140	Fuel Gauge Packing	1

Item	Part No.	Description	Qty
10	P75-023-0300	Oil Filter Assembly	1
11	P75-023-0310	Filter Fix Packing	1
12	P75-023-0320	Pumping Filter Pipe	1
13	P75-023-0330	Pumping Filter Packing	1
14	P75-024-0200	Hose Clip	2
15	P75-024-0800	Fuel Filter & Hose Assembly	1
16	P70-033-0100	Cord Bushing	1

**NOTE:** It is our policy to continually improve products and as such we reserve the right to alter data, specifications and component parts without prior notice. There may be alternative versions of this product, please contact us should you require this information.

**IMPORTANT:** No liability is accepted for incorrect use of product. Spare parts must be fitted by a competent person

**WARRANTY:** Guarantee is 12 months from purchase date, proof of which will be required for any claim.

Sealey Group, Kempson Way, Suffolk Business Park, Bury St Edmunds, Suffolk. IP32 7AR



01284 757500



sales@sealey.co.uk



www.sealey.co.uk



Parts Information:  
**Space Warmer® Paraffin/Diesel Heater**  
**38,000Btu/hr without Wheels Ultra Quiet**  
**Model No: AB358S**

Item	Part No.	Description	Qty
18	P75-027-0300	Electronic Pump Base	2
19	P75-027-0610	Pump Sponge	2
20	P75-027-0105	Electronic Pump	2
21	P75-027-0110	Hose	2
22	P75-027-0550	Electronic Pump Wire Assembly	2
23	P75-027-0410	Electronic Pump Pipe Assembly	2
24	P75-025-0150	PCB 120 x 96mm (c/w Fuse)	1
25	P75-025-0155	PCB Holder	3
26	P75-011-0200	Lower Cover	1
27	P75-011-0210	Cover Bushing	1
28	P75-051-0100	Switch, Tip Over Rocker 6A 250V	1
29	P75-012-0220	Cables for Power Switch	1
30	P75-011-0900	Left Cover Assembly	1
31	P75-025-0100	Transformer, Ignitor Assembly	1
32	P75-011-0910	Right Cover	1
33	P75-011-0920	Sticker	1
34	P75-012-0100	Power Switch	1
35	P75-012-0200	Power (s/w) Wire	1
36	P75-036-0175	Burner Head	1
37	P75-040-0600	Nipple	1
38	P75-036-0200	Nozzle - Danfoss 0.30GPH 60H	1
39	P75-036-0110	Burner Blade	1
40	P75-035-0450	Burner Gasket	1
41	P75-036-0310	Diffusion	1
42	P75-039-0110	Burner Casing	1

Item	Part No.	Description	Qty
43	P75-037-0110	Spark Plug Bracket	1
44	P75-037-0100	Spark Plug	1
45	P75-040-0200	Thermostat Bracket	1
46	P70-019-0100	Thermal Cut Out Switch	1
48	P75-038-0120	Flame Sensor Bracket	1
49	P75-038-0100	Flame Sensor Assembly	1
50	P75-041-0110	Blower Casing Assembly	1
51	P75-045-0100	Blower Motor Assembly	1
52	P75-046-0200	Fan Spring Ø 10.1mm	1
53	P75-046-0100	Cooling Fan Assembly	1
54	P75-042-0100	Blower Cover	1
55	P75-044-0100	Inlet	1
56	P75-043-0110	Blower Fan Assembly	1
58	P75-035-0175	Chamber/Insulator Assembly	1
61	P75-035-0400	Baffle Assembly	1
62	P75-011-0400	Cone	1
63	P75-011-0500	Fan Guard	1
64	P75-011-0101	Upper Cover	1
65	P75-011-0700	Nut	2
66	P75-001-0050	Handle	1
67	P75-012-0250	Safety Guard	1
68	P75-001-0060	Screw	2
--	P75-032-0100	Power Cord Assembly (Not Shown)	--
--	P75-035-0250	Chamber Cone (Not Shown)	--

**NOTE:** It is our policy to continually improve products and as such we reserve the right to alter data, specifications and component parts without prior notice. There may be alternative versions of this product, please contact us should you require this information.

**IMPORTANT:** No liability is accepted for incorrect use of product. Spare parts must be fitted by a competent person

**WARRANTY:** Guarantee is 12 months from purchase date, proof of which will be required for any claim.

Sealey Group, Kempson Way, Suffolk Business Park, Bury St Edmunds, Suffolk. IP32 7AR



01284 757500



sales@sealey.co.uk



www.sealey.co.uk