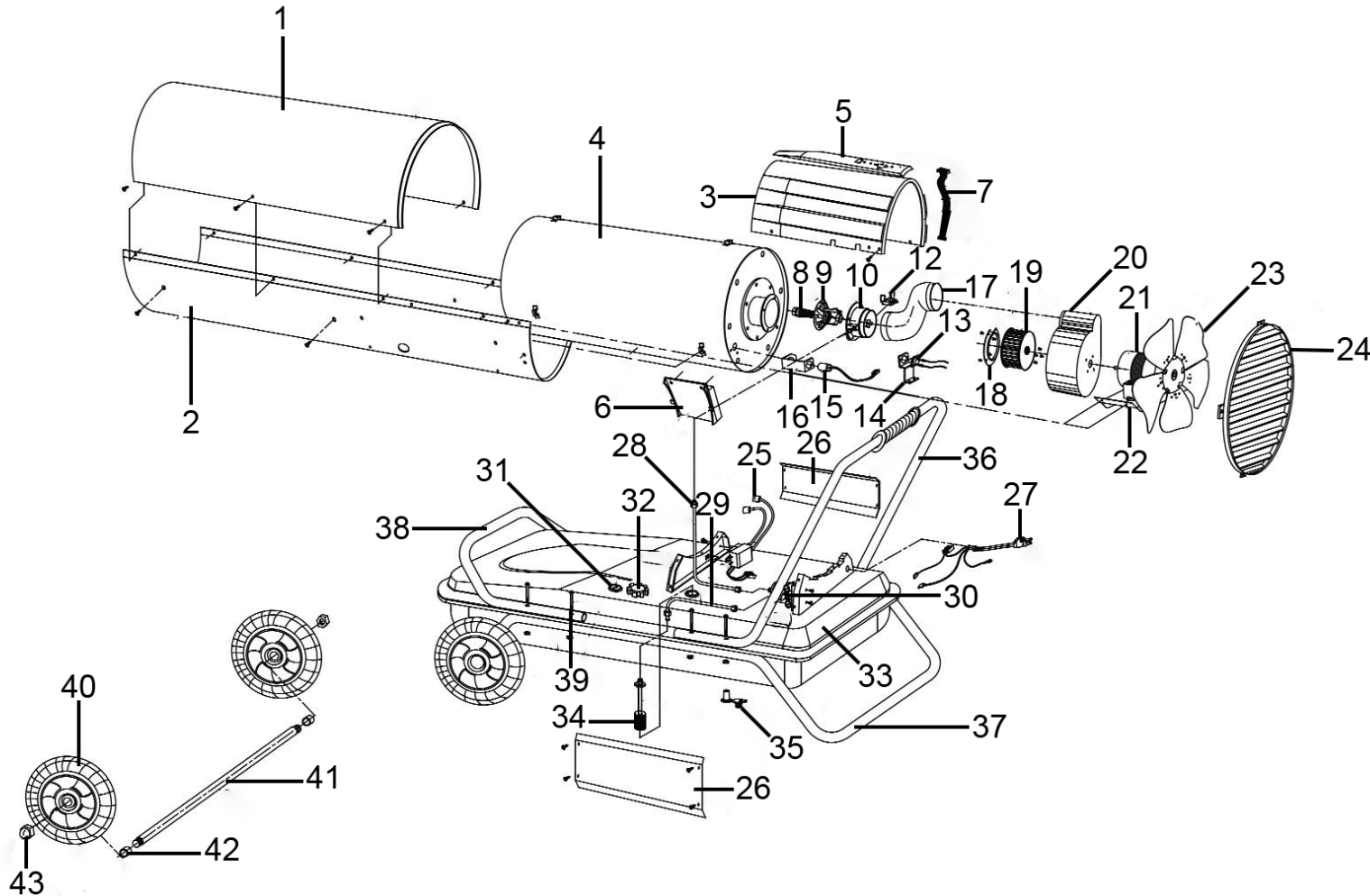




Parts Information:  
**Dual Fusion™ Paraffin/Kerosene/Diesel Space Heater 170,000/220,000Btu/hr with Wheels**  
**Model No: AB2200Q**



**NOTE:** It is our policy to continually improve products and as such we reserve the right to alter data, specifications and component parts without prior notice.

There may be alternative versions of this product, please contact us should you require this information.

**IMPORTANT:** No liability is accepted for incorrect use of product. Spare parts must be fitted by a competent person

**WARRANTY:** Guarantee is 12 months from purchase date, proof of which will be required for any claim.

Sealey Group, Kempson Way, Suffolk Business Park, Bury St Edmunds, Suffolk. IP32 7AR



01284 757500



01284 703534



sales@sealey.co.uk



www.sealey.co.uk



Parts Information:  
**Dual Fusion™ Paraffin/Kerosene/Diesel  
Space Heater 170,000/220,000Btu/hr with  
Wheels  
Model No: AB2200Q**

Item	Part No.	Description
1	P70-001-5105	Front Shell Assembly
2	P70-001-5010	Upper Shell Assembly
3	P70-065-1000	Safety Guard
4	P70-011-1010	Combustion Chamber Assembly
5	P70-027-1105	Control PCB
6	P70-027-1250	Power PCB Case
7	P70-027-1025	Pcb Lead Wire
8	P70-015-1010	Nozzle
9	P70-063-1000	Air Dispenser
10	P70-014-1000	Burner Head
12	P70-052-1000	Spark Plug
13	P70-019-1000	Limit Control
14	P70-019-1010	Limit Control Bracket
15	P70-016-1000	Photocell
16	P70-016-1010	Photocell Bracket
17	P70-300-0010	Air Draft Tube
18	P70-300-0020	Air Guard
19	P70-060-0001	Fan
20	P70-300-0100	Duct Assembly
21	P70-020-1100	Motor Assembly
22	P70-020-1010	Motor Mounting Plate
23	P70-024-1000	Blower Fan
24	P70-016-2000	Fan Guard
25	P70-037-1100	Ignitor
26	P70-008-1110	Side Cover
27	MC3CX1.5	Mains Cable

Item	Part No.	Description
28	P70-036-2105	Return Fuel Line
29	P70-036-2000	Intake Fuel Line
30	P70-400-0205	Fuel Pump
31	P70-007-0500	Fuel Gauge
32	P70-006-0400	Fuel Cap Assembly
33	P70-002-1100	Fuel Tank
34	P70-003-1000	Fuel Filter
35	P70-002-0105	Drain Plug
36	P70-043-1100	Rear Handle
37	P70-041-1100	Wheel Support Frame
38	P70-043-1102	Front Handle
39	P70-043-1001	Handle Bolt
40	P70-041-1400	Wheel, Fixed
41	P70-041-1510	Wheel Axle (c/w Fixings)
42	P70-041-1540	Wheel Bushing
43	SN12.SD	Steel Nut M12 Domed
--	P70-027-1100	Control PCB (Not Shown)
--	P70-027-1020	PCB Lead Wire (Not Shown)
--	P70-014-1100	Fuel Line Nipple (Not Shown)
--	P70-027-2305	Power PCB (Not Shown)
--	P70-027-1010	Fuse (Not Shown)
--	P70-036-3000	Fuel Filter Pipe (Not Shown)
--	P70-056-1000	Fixing Kit (Not Shown)
--	P70-041-1610	Axle (c/w Fixings) (Not Shown)
--	P70-065-1000	Safety Guard (Not Shown)

**NOTE:** It is our policy to continually improve products and as such we reserve the right to alter data, specifications and component parts without prior notice. There may be alternative versions of this product, please contact us should you require this information.

**IMPORTANT:** No liability is accepted for incorrect use of product. Spare parts must be fitted by a competent person

**WARRANTY:** Guarantee is 12 months from purchase date, proof of which will be required for any claim.

**Sealey Group**, Kempson Way, Suffolk Business Park, Bury St Edmunds, Suffolk. IP32 7AR



01284 757500



01284 703534



sales@sealey.co.uk



www.sealey.co.uk