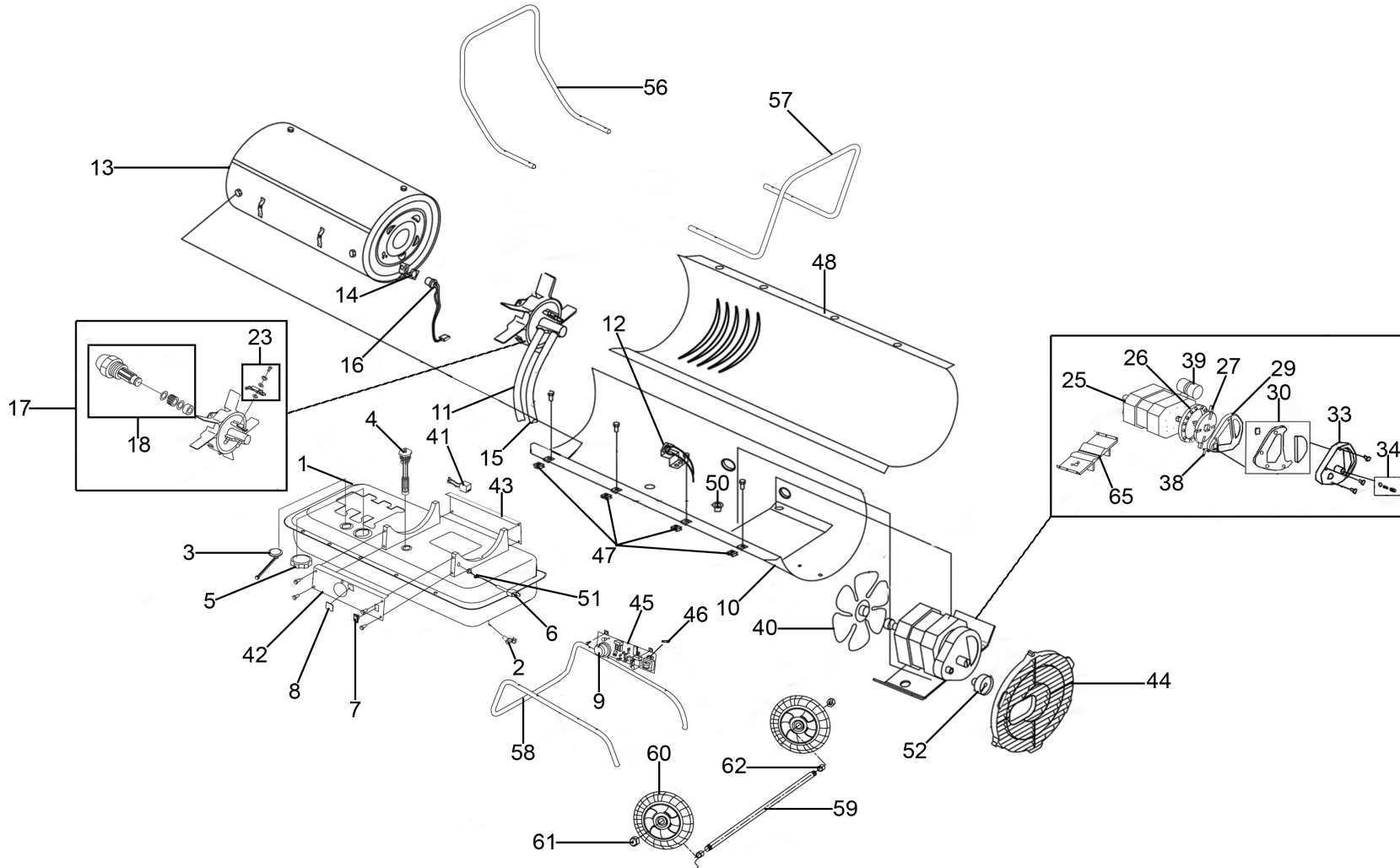




Parts Information:
**Space Warmer® Paraffin/Kerosene/Diesel Heater 215,000Btu/hr with
Wheels**
Model No: AB2158.V3



NOTE: It is our policy to continually improve products and as such we reserve the right to alter data, specifications and component parts without prior notice.

There may be alternative versions of this product, please contact us should you require this information.

IMPORTANT: No liability is accepted for incorrect use of product. Spare parts must be fitted by a competent person

WARRANTY: Guarantee is 12 months from purchase date, proof of which will be required for any claim.

Sealey Group, Kempson Way, Suffolk Business Park, Bury St Edmunds, Suffolk. IP32 7AR



01284 757500



sales@sealey.co.uk



www.sealey.co.uk



Parts Information:
**Space Warmer® Paraffin/Kerosene/Diesel
 Heater 215,000Btu/hr with Wheels
 Model No: AB2158.V3**

Item	Part No.	Description	Qty
1	P70-002-0305	Fuel Tank Assembly	1
2	P70-002-0105	Drain Plug	1
3	P70-007-0215	Fuel Gauge Assembly	1
4	P70-003-0200	Fuel Filter Assembly	1
5	P70-006-0120	Fuel Cap Assembly Ø 33mm (c/w Cap & Gasket)	1
6	MC3CX1.5	Mains Cable, 3 Core, 1.5mm ² (Per Metre)	1
7	P70-038-0110	Switch, On/Off Rocker 3A 250V	1
8	P70-040-0100	Window Display	1
9	P70-031-0100	Knob, Thermostat Control Ø 55mm	1
10	P70-001-3011	Lower Cover	1
11	P70-035-0500	Air Hose 6 x 10 x 430mm	1
12	P70-019-0200	Thermal Cut Out Switch	1
13	P70-011-0500	Combustion Chamber	1
14	P70-010-0101	Flame Sensor Bracket	1
15	P70-036-0500	Fuel Hose 6 x 12 x 210mm	1
16	P70-016-0100	Flame Sensor (2 Pin Plug)	1
17	P70-014-0301	Burner Head Assembly	1
18	P70-015-0500	Nozzle - Delavan 215K	1
23	P70-052-0200	Spark Plug Kit	1
25	P70-021-0521	Square Motor Assembly 230V 50Hz	1
26	P70-020-0401	Pump Body 5/8"	1
27	P70-022-0200	Rotor Kit 5/8" (c/w Vanes & Clip)	1
29	P70-020-0102	End Pump Cover	1
30	P70-054-0100	Filter Kit	1

Item	Part No.	Description	Qty
33	P70-020-0103	End Filter Cover	1
34	P70-055-0100	Plug/Pump Adjust Kit	1
38	P70-014-0104	Nipple	1
39	P70-020-0221	Capacitor 7µF 50/60Hz 70 x 40mm	1
40	P70-024-0400	Fan Assembly	1
41	P70-037-0120	Ignitor	1
42	P70-008-0450	Right Side Cover	1
43	P70-009-0300	Left Side Cover	1
44	P70-016-0200	Fan Guard	1
45	P70-027-0370	PCB 195 x 70mm (c/w Display & Potentiometer)	1
46	P70-027-0101	Fuse 5A 250V 5 x 20mm	1
47	P70-001-0105	Clip Nut	4
48	P70-001-3010	Upper Cover	1
50	P70-017-0100	Bushing Grommet	1
51	P70-033-0200	Cord Bushing	1
52	P70-025-0100	Air Pressure Gauge	1
56	P70-042-0200	Front Handle	1
57	P70-043-0200	Back Handle	1
58	P70-041-0201	Wheel Support Frame	1
59	P70-041-0205	Wheel Axle 620mm Ø 12mm	1
60	P70-041-1400	Wheel	2
61	SN12.SD	Steel Nut M12 Domed	2
62	P70-041-1540	Wheel Bushing	2
65	P70-020-0610	Support Plate	1

NOTE: It is our policy to continually improve products and as such we reserve the right to alter data, specifications and component parts without prior notice. There may be alternative versions of this product, please contact us should you require this information.

IMPORTANT: No liability is accepted for incorrect use of product. Spare parts must be fitted by a competent person

WARRANTY: Guarantee is 12 months from purchase date, proof of which will be required for any claim.

Sealey Group, Kempson Way, Suffolk Business Park, Bury St Edmunds, Suffolk. IP32 7AR



01284 757500



sales@sealey.co.uk



www.sealey.co.uk