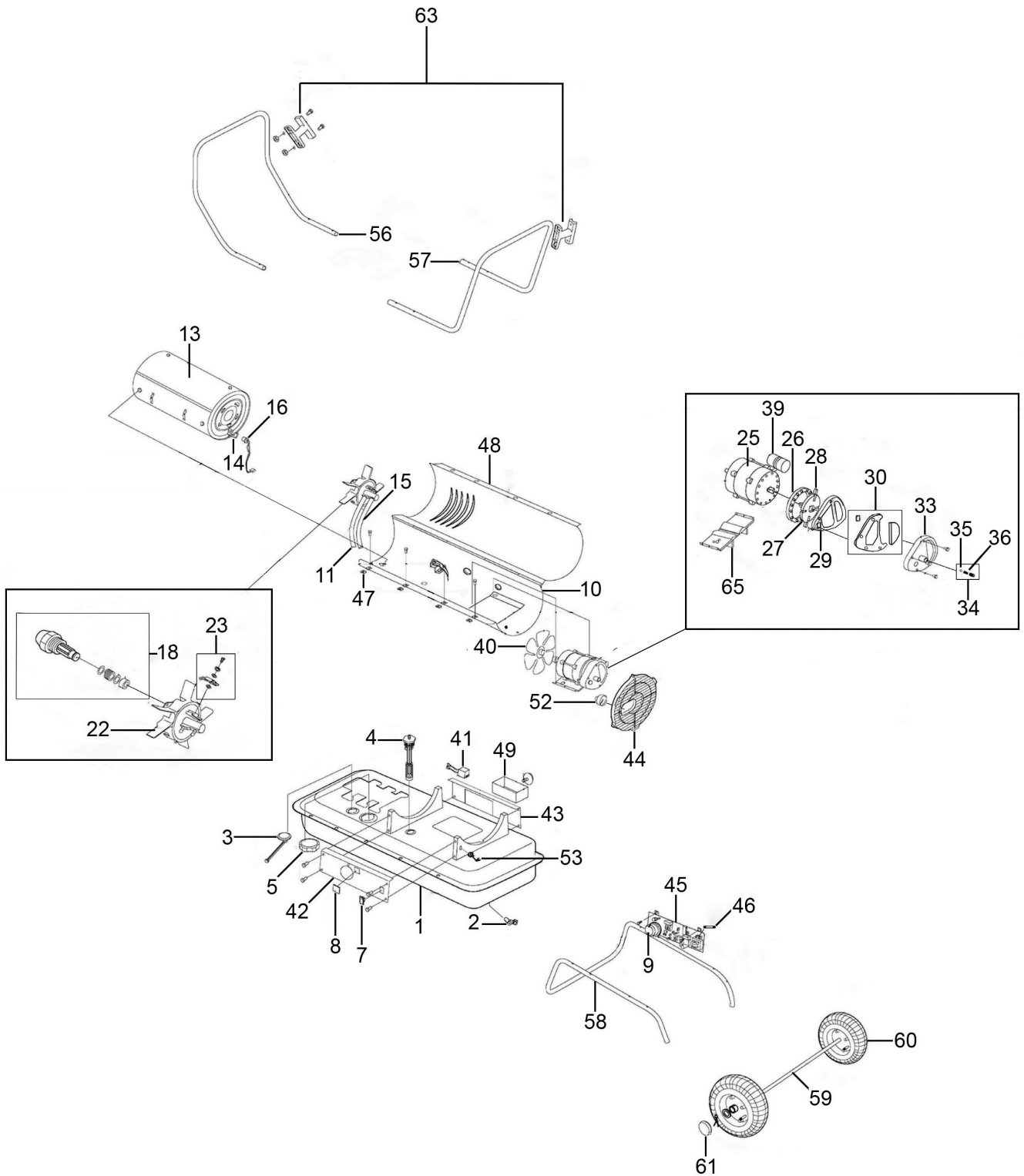




Parts Information:
Space Warmer® Paraffin, Kerosene &
Diesel Heater 215,000Btu/hr with Wheels
Model No: AB2158.V2



NOTE: It is our policy to continually improve products and as such we reserve the right to alter data, specifications and component parts without prior notice. There may be alternative versions of this product, please contact us should you require this information.

IMPORTANT: No liability is accepted for incorrect use of product. Spare parts must be fitted by a competent person

WARRANTY: Guarantee is 12 months from purchase date, proof of which will be required for any claim.

Sealey Group, Kempson Way, Suffolk Business Park, Bury St Edmunds, Suffolk. IP32 7AR



01284 757500



sales@sealey.co.uk



www.sealey.co.uk



Parts Information:
**Space Warmer® Paraffin, Kerosene &
 Diesel Heater 215,000Btu/hr with Wheels
 Model No: AB2158.V2**

Item	Part No.	Description	Qty
1	P70-002-0300	Fuel Tank Assembly	1
2	P70-002-0105	Drain Plug	1
3	P70-007-0210	Fuel Gauge Assembly	1
4	P70-003-0200	Fuel Filter Assembly	1
5	P70-006-0120	Fuel Cap Assembly Ø 33mm	1
7	P70-038-0110	Switch, On/Off Rocker 12A 250V	1
8	P70-040-0100	Window Display	1
9	P70-031-0100	Knob, Thermostat Control Ø 55mm	1
10	P70-001-1102	Lower Cover	1
11	P70-035-0500	Air Hose 6 x 10 x 430mm	1
13	P70-010-0500	Combustion Chamber	1
14	P70-010-0101	Flame Sensor Bracket	1
15	P70-036-0500	Fuel Hose 6 x 12 x 210mm	1
16	P70-016-0100	Flame Sensor (2 Pin Plug)	1
18	P70-015-0100	Nozzle - Delavan 45K	1
18	P70-015-0500	Nozzle - Delavan 215K (Alternative)	1
22	P70-014-0301	Burner Head	1
23	P70-052-0210	Spark Plug	1
25	P70-021-0400	Motor 220-230V 50Hz	1
26	P70-020-0401	Pump Body 5/8"	1
27	P70-022-0200	Rotor Kit 5/8" (c/w Vanes & Clip)	1
28	P70-022-0202	Rotor Blade 5/8" (Set of 4)	1
29	P70-020-0102	End Pump Cover	1
30	P70-054-0100	Filter Kit	1
33	P70-020-0103	End Filter Cover	1
34	P70-055-0100	Plug/Pump Adjust Kit	1
35	SB-6.4	Steel Ball 6.4mm	1
36	P70-020-0105	Spring	1

Item	Part No.	Description	Qty
39	P70-020-0221	Capacitor 7µF 50/60Hz 70 x 40mm	1
40	P70-024-0400	Fan Assembly	1
41	P70-037-0120	Ignitor	1
42	P70-008-0450	Right Side Cover	1
43	P70-009-0300	Left Side Cover	1
44	P70-016-0200	Fan Guard	1
45	P70-027-0370	PCB, Control Board 195 x 70mm (c/w Display & Potentiometer)	1
46	P70-027-0101	Fuse 5A 250V 5 x 20mm	1
47	P70-001-0105	Clip Nut	4
48	P70-001-1101	Upper Cover	1
49	P70-053-0100	Storage Box	1
52	P70-025-0100	Air Pressure Gauge	1
53	P70-033-0200	Cord Bushing	1
56	P70-042-0200	Front Handle	1
57	P70-043-0200	Back Handle	1
58	P70-041-0201	Wheel Support Frame	1
59	P70-041-0103	Wheel Axle 540mm Ø 12mm	1
59	P70-041-1510	Wheel Axle 560mm Ø 12mm (Alternative)	--
59	P70-041-0203	Wheel Axle 620mm Ø 12mm (Alternative)	--
60	P70-041-1400	Wheel Fixed 250 x 56 x 12mm	2
60	P70-041-0150	Wheel (Alternative)	--
61	P70-041-0104	Wheel Cap	2
63	P70-032-0200	Cord Wrap	2
65	P70-020-0404	Support Plate	1
--	P70-056-0210	Fixing Kit (Not Shown)	--

NOTE: It is our policy to continually improve products and as such we reserve the right to alter data, specifications and component parts without prior notice. There may be alternative versions of this product, please contact us should you require this information.

IMPORTANT: No liability is accepted for incorrect use of product. Spare parts must be fitted by a competent person

WARRANTY: Guarantee is 12 months from purchase date, proof of which will be required for any claim.

Sealey Group, Kempson Way, Suffolk Business Park, Bury St Edmunds, Suffolk. IP32 7AR



01284 757500



sales@sealey.co.uk



www.sealey.co.uk