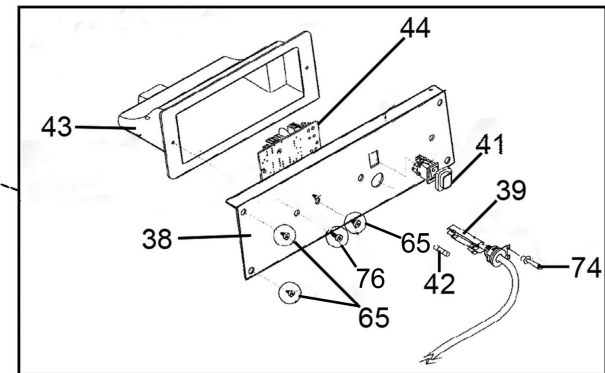
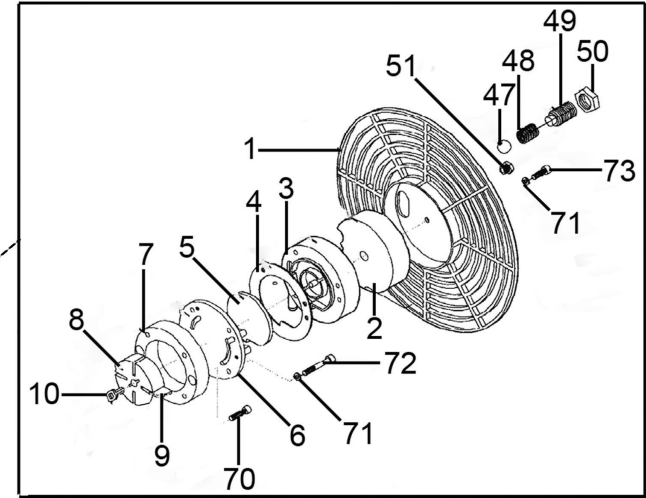
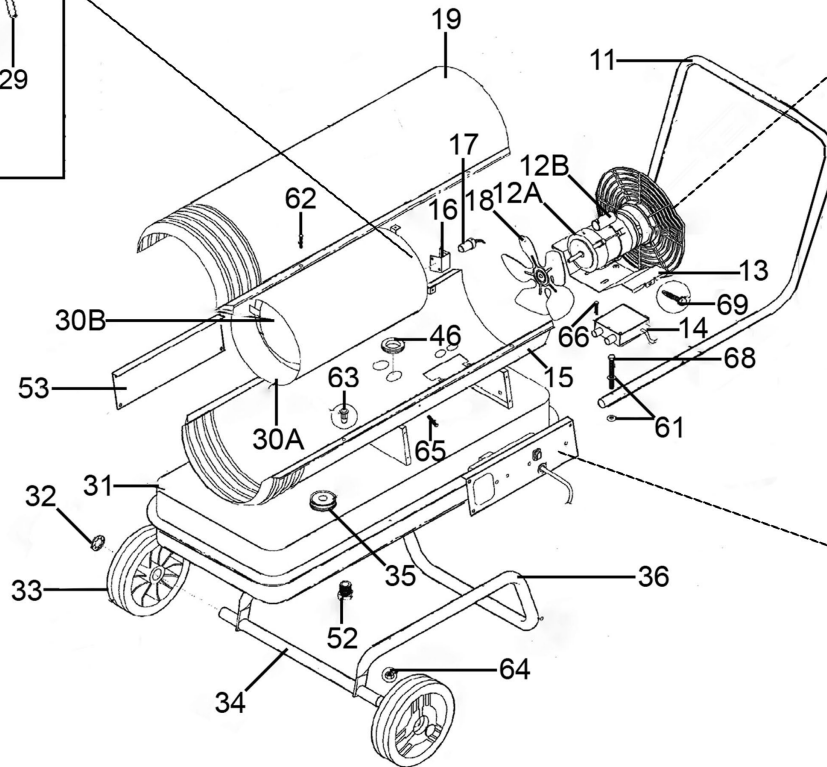
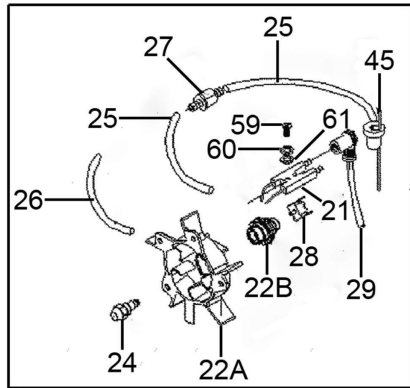




Parts Information:  
Space Warmer® Paraffin/Diesel Heater 160,000Btu/hr with Wheels  
Model No: AB160.V5



**NOTE:** It is our policy to continually improve products and as such we reserve the right to alter data, specifications and component parts without prior notice.

There may be alternative versions of this product, please contact us should you require this information.

**IMPORTANT:** No liability is accepted for incorrect use of product. Spare parts must be fitted by a competent person

**WARRANTY:** Guarantee is 12 months from purchase date, proof of which will be required for any claim.

Sealey Group, Kempson Way, Suffolk Business Park, Bury St Edmunds, Suffolk. IP32 7AR



01284 757500



sales@sealey.co.uk



www.sealey.co.uk



Parts Information:  
**Space Warmer® Paraffin/Diesel Heater**  
**160,000Btu/hr with Wheels**  
**Model No: AB160.V5**

Item	Part No.	Description	Qty
1	SL20010093	Rear Guard	1
2	SL20190009	Air Inlet Filter	1
3	SL20620056	Filter Casing	1
4	SL20020003	Gasket Compressor	1
5	SL20190000	Outlet Filter	1
6	SL20620055	Compressor Cover	1
7	SL20620061	Stator Ring TH.21mm	1
8	SL20260020	Rotor SP.21mm	1
9	SL20260016	Blade TH.21mm	4
10	SL20010016	Coupling	1
11	SL20610186	Handle	1
12A	SL20400016	Motor 230V 50Hz 250W	1
12B	AB125P.06	Capacitor 6.3µF 425-475V 55 x 35mm	1
13	SL20620048	Motor Support	1
14	SL20330010	Transformer	1
15	SLCRP040STD11	Lower Body	1
16	SL20620529	Flame Sensor Support	1
17	SL20500003	Flame Sensor	1
18	SL20200024	Fan Ø 254mm	1
19	SLCOP040STD11	Upper Body	1
21	SL20300006	Ignition Electrode	1
22A	SL20620672	Burner Head	1
22B	SL20010059	Nozzle Holder	1
24	SL20210064	Nozzle	1
25	SL20160019	Oil Hose 12 x 7 x 180mm	1
26	SL20160021	Air Hose 7 x 11 x 480mm	1
27	SL20190010	Oil Suction Filter	1
28	SL20360006	Safety Thermostat 10A 250V 265°C	1
29	SL20390281	HT Cable 500mm 90° (c/w Filter)	1
30A	SL20621497	Combustion Chamber	1
30B	SL20620333	Flame Shield, Large	1
31	SL040STD070	Tank	1
32	SL20230222	Wheel Ring	2
33	SL20040001	Wheel, Fixed 195 x 48 x 20mm	2

Item	Part No.	Description	Qty
34	SL20610143	Axle	1
35	SL20050018	Filling Cap Ø 76mm	1
36	SL20610216	Frame	1
38	SL028N20	Side Panel, Left	1
39	SL20310010	Cable Clamp	1
41	SL20320005	Switch, Power Rocker (c/w Cover)	1
42	SL20350007	Fuse 5A 250V 6 x 32mm	1
43	SL20010012	Electrical Panel Cover	1
44	SL20470013	Flame Control Unit	1
45	SL20020019	Suction Gasket Ø 25mm	1
46	SL20020007	Rubber Ring	1
47	SB-5.6	Steel Ball 5.6mm	1
48	SL20230234	Spring Ø 5.9mm	1
49	SL20230230	Adjusting Screw M8 x 1mm	1
50	SL20230124	Half Nut 5/16" UNF	1
51	SL20120039	Cap	1
52	SL20120040	Drain Cap	1
53	SL20621800	Side Panel, Right	1
59	SL1016006000	Screw	1
60	SL20230143	Washer	1
61	SL20230142	Washer	5
62	SL20230037	Screw	1
63	SL1019001600	Rivet Nut	4
64	SN5.S	Steel Nut M5	2
65	SL20230012	Rd Head S/T Screw M3.8 x 6mm	5
66	SL1016005711	Screw	2
68	SL20230000	Screw	2
69	SL1016004500	Screw	3
70	SCB520.S	Socket Cap Bolt M5 x 20mm	2
71	SWM5.SB	Spring Washer M5 Black	4
72	SCB535.S	Socket Cap Screw M5 x 35mm	4
73	SCB516.S	Socket Cap Bolt M5 x 16mm	2
74	SL1019002800	Rivet	1
76	SL1016001700	Screw	2

**NOTE:** It is our policy to continually improve products and as such we reserve the right to alter data, specifications and component parts without prior notice. There may be alternative versions of this product, please contact us should you require this information.

**IMPORTANT:** No liability is accepted for incorrect use of product. Spare parts must be fitted by a competent person

**WARRANTY:** Guarantee is 12 months from purchase date, proof of which will be required for any claim.

Sealey Group, Kempson Way, Suffolk Business Park, Bury St Edmunds, Suffolk. IP32 7AR



01284 757500



sales@sealey.co.uk



www.sealey.co.uk