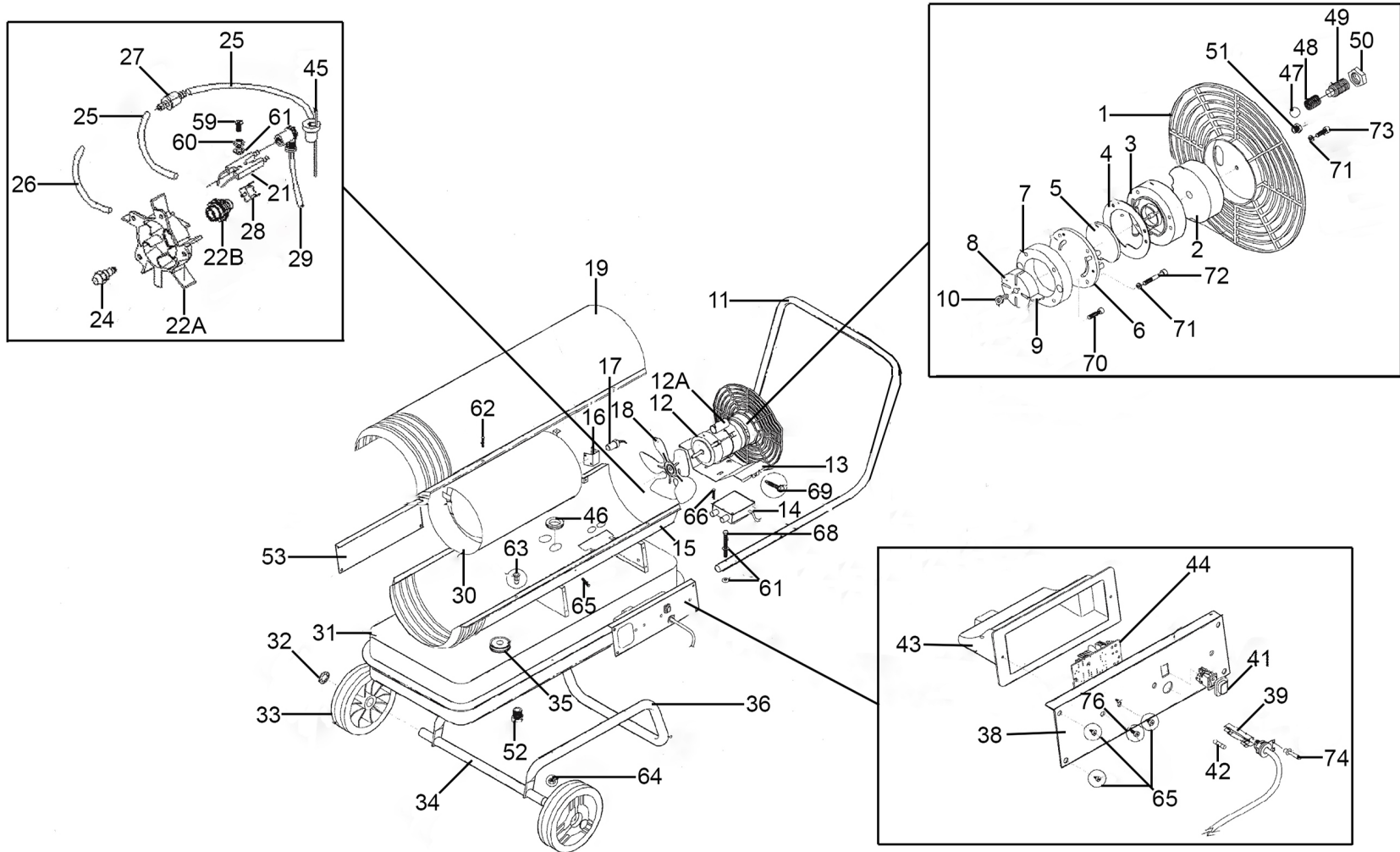




Parts Information:
Space Warmer® Paraffin/Diesel Heater 160,000Btu/hr with Wheels
Model No: AB160.V3



NOTE: It is our policy to continually improve products and as such we reserve the right to alter data, specifications and component parts without prior notice.

There may be alternative versions of this product, please contact us should you require this information.

IMPORTANT: No liability is accepted for incorrect use of product. Spare parts must be fitted by a competent person

WARRANTY: Guarantee is 12 months from purchase date, proof of which will be required for any claim.

Sealey Group, Kempson Way, Suffolk Business Park, Bury St Edmunds, Suffolk. IP32 7AR



01284 757500



01284 703534



sales@sealey.co.uk



www.sealey.co.uk



Parts Information:
Space Warmer® Paraffin/Diesel Heater
160,000Btu/hr with Wheels
Model No: AB160.V3

Item	Part No.	Description
1	SL20010093	Rear Guard
2	SL20190009	Air Inlet Filter
3	SL20620056	Filter Casing
4	SL20020003	Gasket Compressor
5	SL20190000	Outlet Filter
6	SL20620055	Compressor Cover
7	SL20620061	Stator Ring
8	SL20260020	Rotor
9	SL20260016	Blade
10	SL20010016	Coupling
11	SL20610186	Handle
12	SL20400016	Motor
12A	SL1049001000	Capacitor
13	SL20620048	Motor Support
14	SL20330010	Transformer
15	SL20630077	Lower Body
16	SL20620529	Flame Sensor Support
17	SL20500003	Flame Sensor
18	SL20200024	Fan
19	SL040STD911	Upper Body
21	SL20300006	Ignition Electrode
22A	SL20620672	Burner Head
22B	SL20010059	Nozzle Holder
24	SL20210064	Nozzle
25	SL20160019	Oil Hose
26	SL20160021	Air Hose
27	SL20190010	Oil Suction Filter
28	SL20360006	Safety Thermostat
29	SL1039033211	HT Lead
30	SLGRY340	Combustion Chamber
31	SL20631792	Tank
32	SL20230222	Wheel Ring
33	SL20040001	Wheel, Fixed
34	SL20610143	Axle

Item	Part No.	Description
35	SL20620034	Tank Cap
36	SL20610216	Frame
38	SL028N20	Side Panel, Left
39	SL20310010	Cable Clamp
41	SL20320005	Power Switch (c/w Cover)
42	SL20350007	Fuse
43	SL1001007736	Electrical Panel Cover
44	SL20470013	Flame Control Unit
45	SL20020019	Suction Gasket
46	SL1002002100	Rubber Ring
47	SB-5.6	Steel Ball
48	SL20230234	Spring
49	SL20230230	Adjusting Screw M8 x 1.0
50	SL20230124	5/16" UNF Half Nuts
51	SL20120039	Cap
52	SL20120040	Drain Cap
53	SL20621800	Side Panel, Right
59	SL1016006000	Screw
60	SL20230143	Washer
61	SL20230142	Washer
62	SL1016005211	Screw
63	SL1019001600	Rivet Nut
64	SN5.S	Steel Nut M5
65	SL20230012	Rd Head S/T Screw M3.8 X 6
66	SL1016005711	Screw
68	SL20230000	Screw
69	SL1016004500	Screw
70	SCB520.S	Socket Cap Bolt M5 x 20mm
71	SWM5.SB	Spring Washer M5 Black
72	SCB535.S	Socket Cap Screw M5 x 35mm
73	SCB516.S	Socket Cap Bolt M5 x 16mm
74	SL1019002800	Rivet
76	SL1016001700	Screw
--	SL20020011	Switch Cover (Not Shown)

NOTE: It is our policy to continually improve products and as such we reserve the right to alter data, specifications and component parts without prior notice. There may be alternative versions of this product, please contact us should you require this information.

IMPORTANT: No liability is accepted for incorrect use of product. Spare parts must be fitted by a competent person

WARRANTY: Guarantee is 12 months from purchase date, proof of which will be required for any claim.

Sealey Group, Kempson Way, Suffolk Business Park, Bury St Edmunds, Suffolk. IP32 7AR



01284 757500



01284 703534



sales@sealey.co.uk



www.sealey.co.uk