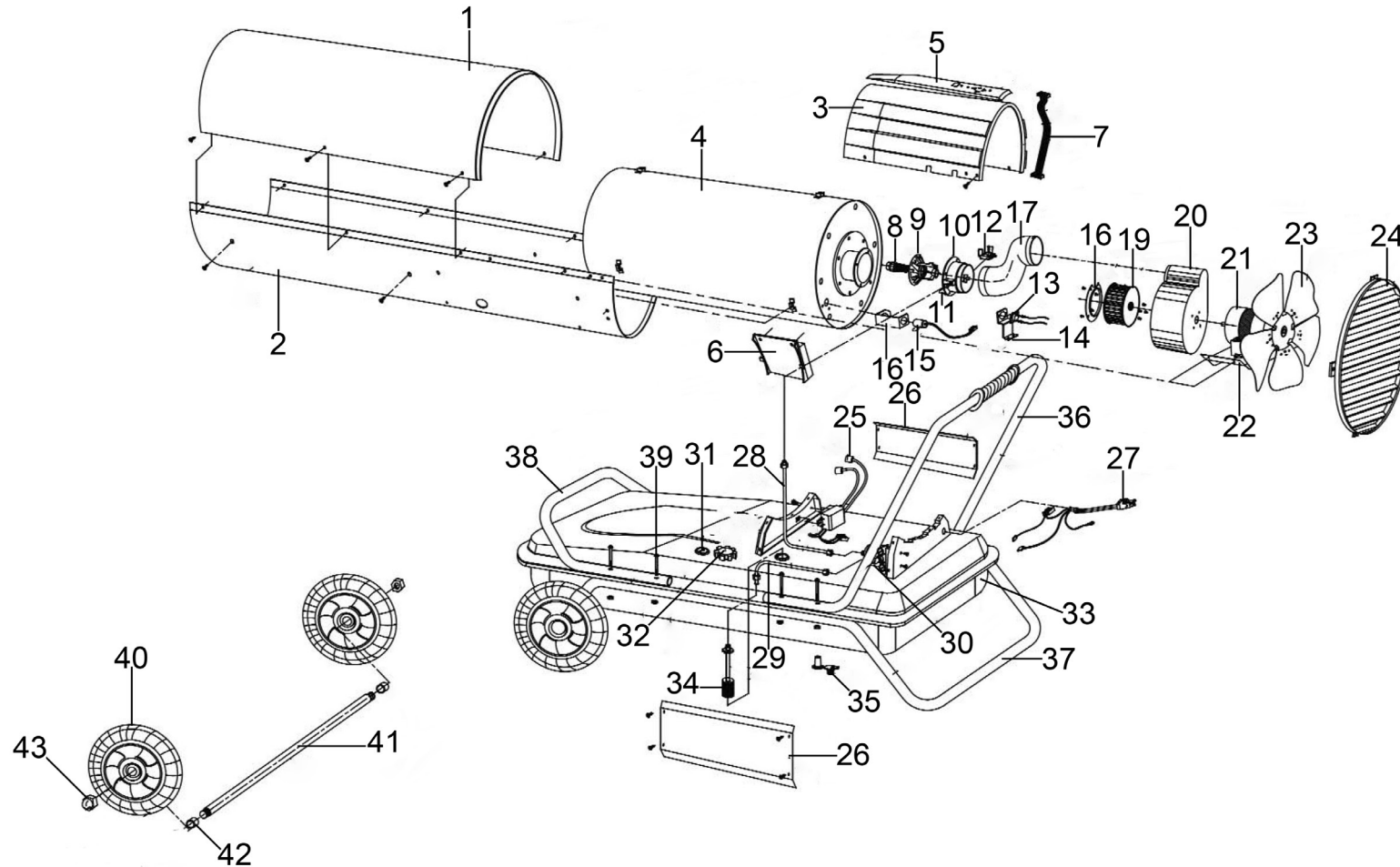




Parts Information:
**Dual Fusion™ Paraffin/Kerosene/Diesel Space Heater 120,000/150,000Btu/
hr with Wheels**
Model No: AB1500Q



NOTE: It is our policy to continually improve products and as such we reserve the right to alter data, specifications and component parts without prior notice.

There may be alternative versions of this product, please contact us should you require this information.

IMPORTANT: No liability is accepted for incorrect use of product. Spare parts must be fitted by a competent person

WARRANTY: Guarantee is 12 months from purchase date, proof of which will be required for any claim.

Sealey Group, Kempson Way, Suffolk Business Park, Bury St Edmunds, Suffolk. IP32 7AR



01284 757500



sales@sealey.co.uk



www.sealey.co.uk



Parts Information:
**Dual Fusion™ Paraffin/Kerosene/Diesel
Space Heater 120,000/150,000Btu/hr with
Wheels
Model No: AB1500Q**

Item	Part No.	Description	Qty
1	P70-001-5100	Front Shell Assembly	1
2	P70-001-5010	Upper Shell Assembly	1
3	P70-065-1000	Safety Guard	1
4	P70-011-1000	Combustion Chamber Assembly	1
5	P70-027-1105	PCB (10 Pin Port) 160 x 75mm (c/w Display)	1
5	P70-027-2305	PCB (10 Pin Port) (Alternative)	--
6	P70-027-1250	Case, PCB	1
7	P70-027-1025	Lead, PCB (10 Pins)	1
8	P70-015-1000	Nozzle 1.10GPH 80H	1
9	P70-063-1000	Air Dispenser	1
10	P70-014-1000	Burner Head	1
11	P70-014-1100	Fuel Line Nipple	1
12	P70-052-1000	Spark Plug	1
13	P70-019-1000	Limit Control	1
14	P70-019-1010	Bracket, Limit Control	1
15	P70-016-1000	Flame Sensor (3 Pin Plug)	1
16	P70-016-1010	Photocell Bracket	1
17	P70-300-0001	Air Draft Tube	1
18	P70-300-0020	Air Guard	1
19	P70-060-0001	Fan	1
20	P70-300-0100	Duct Assembly	1
21	P70-020-1100	Motor Assembly	1
22	P70-020-1010	Motor Mounting Plate	1
23	P70-024-1000	Blower Fan	1

Item	Part No.	Description	Qty
24	P70-016-2000	Fan Guard	1
25	P70-037-1100	Ignitor	1
26	P70-008-1100	Side Cover	1
27	MC3CX1.5	Mains Cable	1
28	P70-036-2100	Return Fuel Line 6mm ID	1
29	P70-036-2000	Intake Fuel Line 6mm ID	1
30	P70-400-0200	Fuel Pump	1
31	P70-007-0500	Fuel Gauge	1
32	P70-006-0400	Fuel Cap Assembly Ø 54mm	1
33	P70-002-1000	Fuel Tank	1
34	P70-003-1000	Fuel Filter	1
35	P70-002-0105	Drain Plug	1
36	P70-043-1000	Rear Handle	1
37	P70-041-1000	Frame, Wheel Support	1
38	P70-043-1002	Front Handle	1
39	P70-043-1001	Handle Bolt	1
40	P70-041-1400	Wheel, Fixed 250 x 56 x 12mm	2
41	P70-041-1500	Wheel Axle 520mm Ø 12mm	1
41	P70-041-1600	Wheel Axle Assembly (c/w Bushing & Nut)	--
42	P70-041-1540	Wheel Bushing	2
43	SN12.SD	Steel Nut M12 Domed	2
--	P70-027-1010	Fuse (Not Shown)	--
--	P70-036-3000	Fuel Filter Pipe (Not Shown)	--
--	P70-056-1000	Fixing Kit (Not Shown)	--

NOTE: It is our policy to continually improve products and as such we reserve the right to alter data, specifications and component parts without prior notice. There may be alternative versions of this product, please contact us should you require this information.

IMPORTANT: No liability is accepted for incorrect use of product. Spare parts must be fitted by a competent person

WARRANTY: Guarantee is 12 months from purchase date, proof of which will be required for any claim.

Sealey Group, Kempson Way, Suffolk Business Park, Bury St Edmunds, Suffolk. IP32 7AR



01284 757500



sales@sealey.co.uk



www.sealey.co.uk