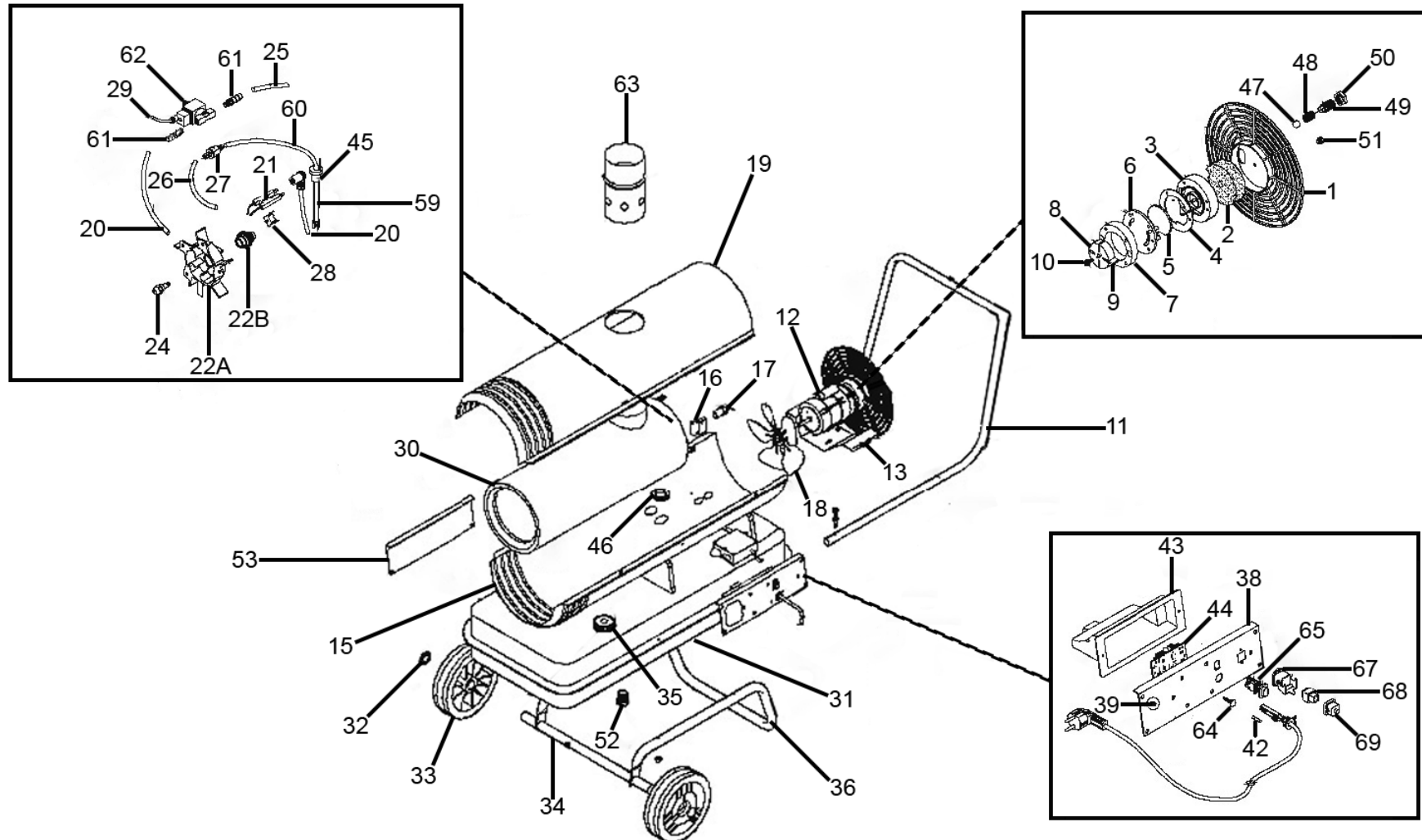




Parts Information:
Space Warmer® Paraffin/Diesel Heater 132,600Btu/hr with Chimney
Model No: AB1452.V3



NOTE: It is our policy to continually improve products and as such we reserve the right to alter data, specifications and component parts without prior notice.

There may be alternative versions of this product, please contact us should you require this information.

IMPORTANT: No liability is accepted for incorrect use of product. Spare parts must be fitted by a competent person

WARRANTY: Guarantee is 12 months from purchase date, proof of which will be required for any claim.

Sealey Group, Kempson Way, Suffolk Business Park, Bury St Edmunds, Suffolk. IP32 7AR



01284 757500



sales@sealey.co.uk



www.sealey.co.uk



Parts Information:
Space Warmer® Paraffin/Diesel Heater
132,600Btu/hr with Chimney
Model No: AB1452.V3

Item	Part No.	Description	Qty
1	SL20010093	Rear Guard	1
2	SL20190009	Air Inlet Filter	1
3	SL20620056	Filter Casing	1
4	SL20020003	Gasket Compressor	1
5	SL20190000	Outlet Filter	1
6	SL20620055	Compressor Cover	1
7	SL1099002911	Stator Ring TH.21mm	1
8	SL20260020	Rotor SP .21mm	1
9	SL20260016	Blade TH.21mm	1
10	SL20010016	Coupling 21mm	1
11	SL20610186	Handle	1
12	SL20400016	Motor 25/40/60 250, 230V 50Hz 250W	1
13	SL20620048	Motor Support	1
15	SLCRP040STD11	Lower Body	1
16	SL20620529	Flame Sensor Support	1
17	SL20500003	Flame Sensor	1
18	SL1087008411	Fan	1
19	SLCOP40A11	Upper Casing	1
20	SL20390281	HT Cable 500mm 90° (c/w Filter)	1
21	SL20300006	Ignition Electrode 20/28/40/60	1
22A	SL20620672	Burner Head	1
22B	SL20010059	Nozzle Holder	1
24	SL20210064	Nozzle 1,00 GPH	1
25	SL20160019	Oil Hose 12 x 7 x 180mm	1
26	SL20160030	Hose 230mm	1
27	SL20190010	Oil Suction Filter	1
28	SL20360006	Safety Thermostat 10A 250V 265°C	1
29	SL20430008	Cable + Connector	1
30	SL20090016	Combustion Chamber	1
31	SL040STD070	Tank	1

Item	Part No.	Description	Qty
32	SL20230222	Wheel Ring	2
33	SL20040001	Wheel, Fixed 195 x 48 x 20mm	2
34	SLGRY4020AX	Axle	1
35	SL20050018	Filling Cap Ø 76mm	1
36	SL20610216	Frame	1
38	SL025F20	Left Side Panel	1
39	SL20230012	Rd Head S/T Screw M3.8 x 6mm	1
42	SL20350007	Fuse 5A 250V 6 x 32mm	1
43	SL1001007736	Electrical Panel Cover	1
44	SL20470021	PCB 100 x 55mm	1
45	SL20020019	Suction Gasket Ø 25mm	1
46	SL1002002100	Rubber Ring	1
47	SB-5.6	Steel Ball 5.6mm	1
48	SL20230234	Spring Ø 5.9mm	1
49	SL20230230	Adjusting Screw M8 x 1mm	1
50	SL20230124	Half Nuts 5/16" UNF	1
51	SL20120039	Cap	1
52	SL20120040	Drain Cap	1
53	SL20621800	Right Side Panel	1
59	SL1001014711	Suction Fitting	1
60	SL1078000411	Oil Hose 200mm	1
61	SL20120035	Hose Holder	2
62	SL20420012	Solenoid Valve	1
63	SL20620679	Flue Collar	1
64	SL20010048	Spacer	1
65	SL20320005	Switch, On/Off Rocker (c/w Cover)	1
67	SL20430002	Socket Casing	1
68	SL20430000	Socket	1
69	SL20070022	Cap	1

NOTE: It is our policy to continually improve products and as such we reserve the right to alter data, specifications and component parts without prior notice. There may be alternative versions of this product, please contact us should you require this information.

IMPORTANT: No liability is accepted for incorrect use of product. Spare parts must be fitted by a competent person

WARRANTY: Guarantee is 12 months from purchase date, proof of which will be required for any claim.

Sealey Group, Kempson Way, Suffolk Business Park, Bury St Edmunds, Suffolk. IP32 7AR



01284 757500



sales@sealey.co.uk



www.sealey.co.uk