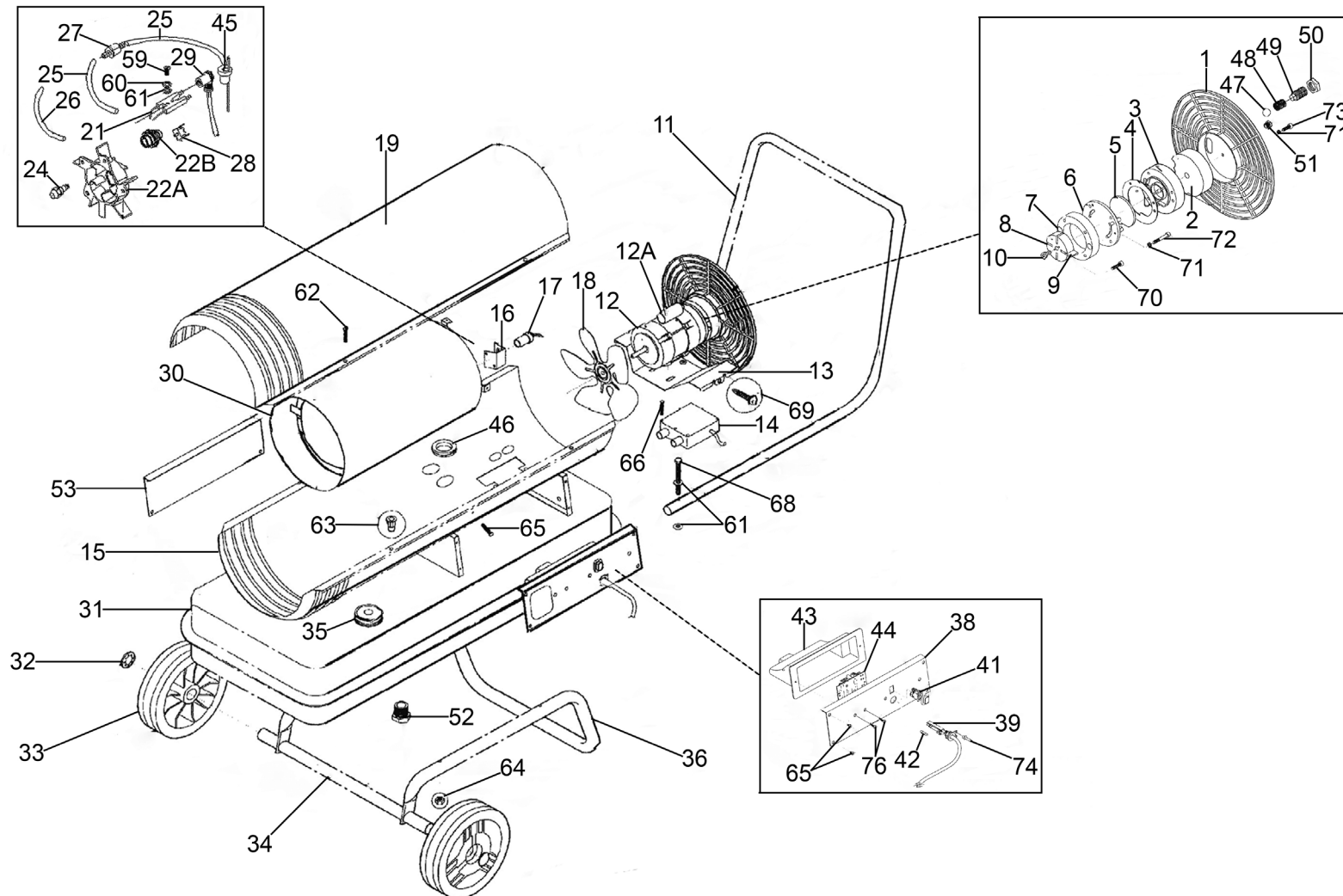




Parts Information:
Space Warmer® Paraffin/Diesel Heater 100,000Btu/hr with Wheels
Model No: AB100.V5



NOTE: It is our policy to continually improve products and as such we reserve the right to alter data, specifications and component parts without prior notice.

There may be alternative versions of this product, please contact us should you require this information.

IMPORTANT: No liability is accepted for incorrect use of product. Spare parts must be fitted by a competent person

WARRANTY: Guarantee is 12 months from purchase date, proof of which will be required for any claim.

Sealey Group, Kempson Way, Suffolk Business Park, Bury St Edmunds, Suffolk. IP32 7AR



01284 757500



sales@sealey.co.uk



www.sealey.co.uk



Parts Information:
Space Warmer® Paraffin/Diesel Heater
100,000Btu/hr with Wheels
Model No: AB100.V5

Item	Part No.	Description	Qty
1	SL20010092	Rear Grid Ø 120mm	1
2	SL20190009	Air Inlet Filter	1
3	SL20620056	Filter Casing	1
4	SL20020003	Gasket Compressor	1
5	SL20190000	Outlet Filter	1
6	SL20620055	Compressor Cover	1
7	SL20620060	Stator Ring TH.17	1
8	SL20260018	Rotor TH.17	1
9	SL20260017	Blade TH.17	4
10	SL20010015	Rotor Clip	1
11	SLGRY2820	Handle	1
12	SL20400015	Motor, Internal 230V 50Hz 150W	1
12A	AB125P.06	Capacitor 6.3µF 425V 475V 55 x 35mm	1
13	SL20620047	Motor Support	1
14	SL20330010	Transformer	1
15	SL20630080	Lower Body	1
16	SL20620529	Flame Sensor Support	1
17	SL20500003	Flame Sensor	1
18	SL20200023	Fan Ø 210mm	1
19	SLCOP028STD11	Upper Body	1
21	SL20300006	Ignition Electrode	1
22A	SL20620672	Burner Head	1
22B	SL20010059	Nozzle Holder	1
24	SL20210063	Nozzle 0.75 gph	1
25	SL20160022	Oil Hose 12mm x 16mm x 200mm	1
26	SL20160021	Air Hose 7mm x 11mm x 480mm	1
27	SL20190010	Oil Suction Filter	1
28	SL20360006	Safety Thermostat 10A 250V 265°C	1
29	SL20390281	HT Cable 500mm 90°	1
30	SL20621496	Combustion Chamber	1
31	SL028STD070	Tank	1
32	SL20230222	Wheel Ring	2
33	SL20040002	Wheel, Fixed 170mm x 42mm x 20mm	2
34	SL20610142	Axle	1

Item	Part No.	Description	Qty
35	SL20050018	Filling Cap	1
36	SLGRY02820	Frame	1
38	SL028N20	Side Panel, Left	1
39	SL20310010	Cable Clamp	1
41	SL20320005	Switch, Power Rocker (c/w Cover)	1
42	SL20350006	Fuse 3.15A 250V 6 x 32mm	1
43	SL20010012	Electrical Panel Cover	1
44	SL20470013	Flame Control Unit	1
45	SL20020019	Suction Gasket Ø 25mm	1
46	SL20020007	Rubber Ring	1
47	SB-5.6	Steel Ball 5.6mm	1
48	SL20230234	Spring Ø 5.9mm	1
49	SL20230230	Adjusting Screw M8 x 1mm	1
50	SL20230124	5/16" UNF Half Nut	1
51	SL20120039	Cap	1
52	SL20120040	Drain Cap	1
53	SL20621792	Side Panel, Right	1
59	SL1016006000	Screw	1
60	SL20230143	Washer	1
61	SL20230143	Washer	5
62	SL1019001600	Rivet Nut	4
63	SN5.S	Steel Nut M5	4
64	SL20230012	Rd Head S/T Screw M3.8 x 6mm	2
65	SL1016005711	Screw	1
66	SL20230142	Washer	2
68	SL20230000	Screw	4
69	SL14016004500	Screw	1
70	SCB520.S	Socket Cap Bolt M5 x 20mm	1
71	SWM5.SB	Spring Washer M5 Black	2
72	SCB535.S	Socket Cap Screw M5 x 35mm	1
73	SCB516.S	Socket Cap Bolt M5 x 16mm	1
74	SL1019002800	Rivet	1
76	SL1016001700	Screw	2
--	SL20620251	Front Disc (Not Shown)	--

NOTE: It is our policy to continually improve products and as such we reserve the right to alter data, specifications and component parts without prior notice. There may be alternative versions of this product, please contact us should you require this information.

IMPORTANT: No liability is accepted for incorrect use of product. Spare parts must be fitted by a competent person

WARRANTY: Guarantee is 12 months from purchase date, proof of which will be required for any claim.

Sealey Group, Kempson Way, Suffolk Business Park, Bury St Edmunds, Suffolk. IP32 7AR



01284 757500



sales@sealey.co.uk



www.sealey.co.uk