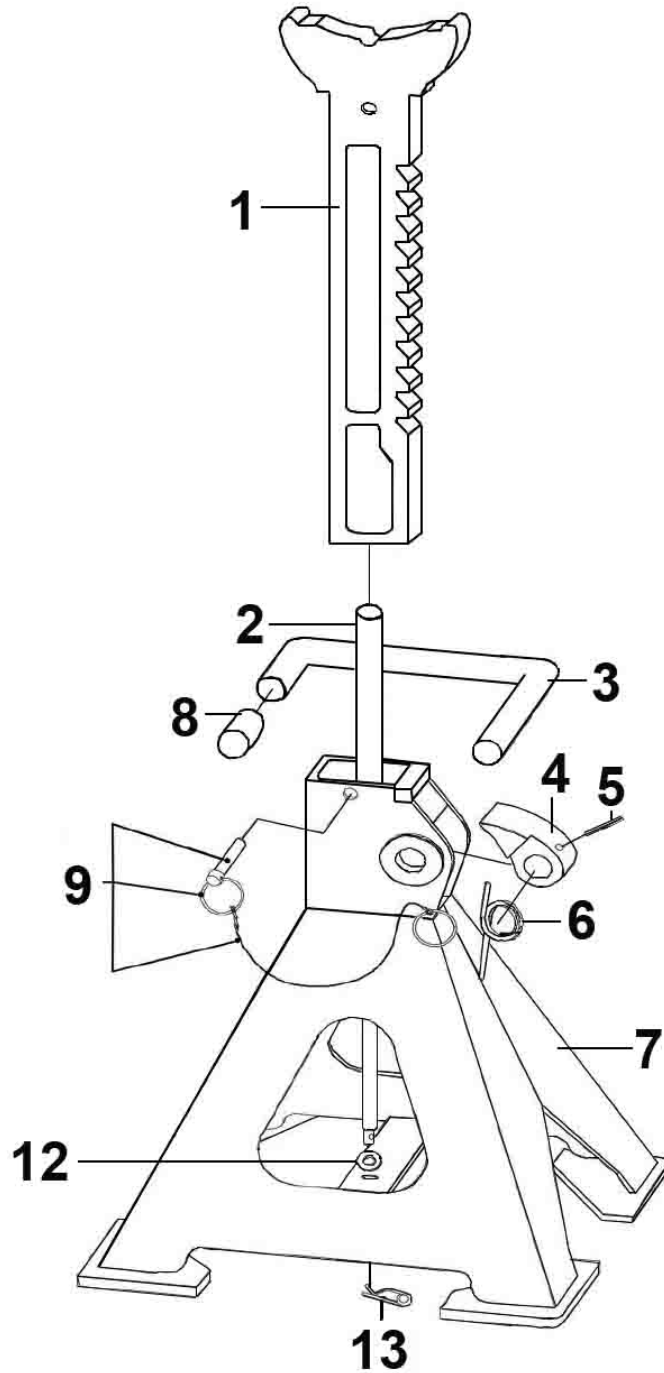


Parts Information:
**Axle Stands (Pair) 5tonne Capacity per
 Stand Auto Rise Ratchet
 Model No: AAS5000**



Item	Part No.	Description
1	AAS5000.01	Centre Column
2	AAS5000.02	Gas Strut 550mm
3	AAS5000.03	Locking Lever
4	AAS5000.04	Pawl
5	AAS3000.10	Spring Pin M5 X 30
6	AAS5000.06	Pawl Spring 23.9mm

Item	Part No.	Description
7	AAS5000.07	Base Frame
8	AAS5000.08	Locking Lever Grip
9	AAS5000.09-11	Pin & Chain Ass'y
12	AAS5000.12	Washer
13	AAS5000.13	R-Pin

NOTE: It is our policy to continually improve products and as such we reserve the right to alter data, specifications and component parts without prior notice. There may be alternative versions of this product, please contact us should you require this information.

IMPORTANT: No liability is accepted for incorrect use of product. Spare parts must be fitted by a competent person

WARRANTY: Guarantee is 12 months from purchase date, proof of which will be required for any claim.