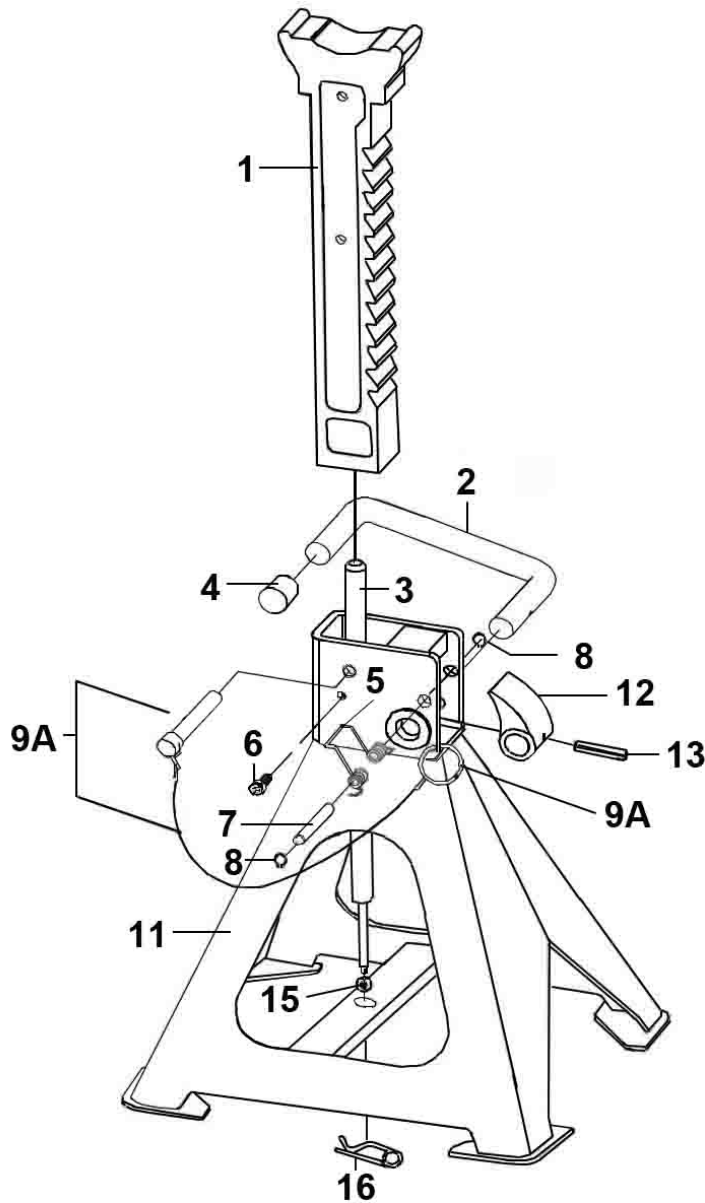


Parts Information:  
**Axle Stands (Pair) 10tonne Capacity per  
 Stand Auto Rise Ratchet  
 Model No: AAS10000**



Item	Part No.	Description
1	AAS10000.01	Centre Column
2	AAS10000.02	Locking Lever
3	AAS10000.03	Gas Strut 650mm
4	AAS10000.04	Locking Lever Grip
5	AAS10000.05	Pawl Spring Dia 24mm
6	AAS10000.06	Socket Cap Screw M8x25
7	AAS10000.07	Locking Pin

Item	Part No.	Description
8	RE231V3-04	External Circlip 11.5mm ID.
9A	AAS10000.09A	Pin & Wire Ass'y
11	AAS10000.11	Base frame
12	AAS10000.12	Pawl
13	AAS3000.10	Spring Pin M5 X 30
15	AAS10000.15	Washer
16	AAS10000.16	R-Pin

**NOTE:** It is our policy to continually improve products and as such we reserve the right to alter data, specifications and component parts without prior notice. There may be alternative versions of this product, please contact us should you require this information.

**IMPORTANT:** No liability is accepted for incorrect use of product. Spare parts must be fitted by a competent person

**WARRANTY:** Guarantee is 12 months from purchase date, proof of which will be required for any claim.