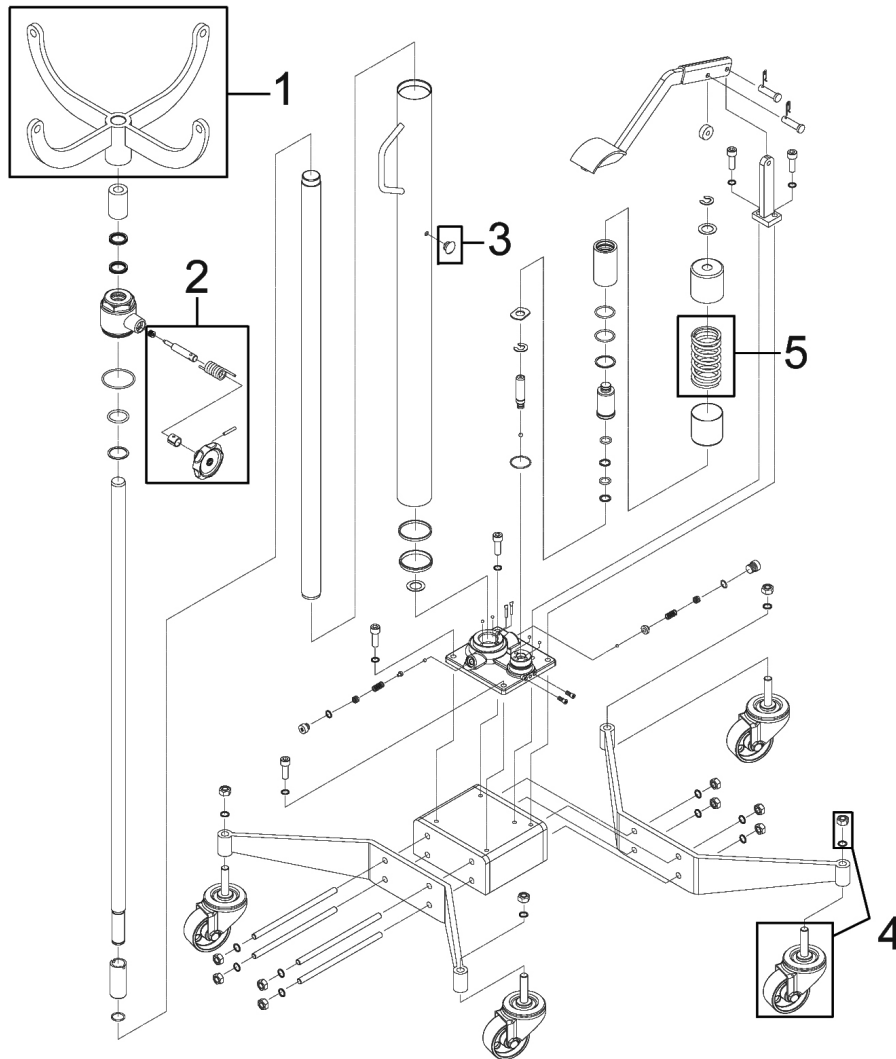




Parts Information:
**Transmission Jack 0.6tonne Vertical Quick
 Lift**
Model No: 600TRQ



Item	Part No.	Description
1	300TRQ.01	Saddle
2	300TRQ.02	Knob assembly
3	300TRQ.03	Oil plug
--	2050CX.V2-P17	Oil filler plug (NOT SHOWN)
4	300TRQ.04	Wheel,rear castor (76x7x32x97)

Item	Part No.	Description
5	300TRQ.05	Compression spring
--	1000TRQ-06	Fixing kit for pedal (NOT SHOWN)
--	300TRQ-06	Tie rod(c/w nuts & washers) (NOT SHOWN)
--	600TRQ.RK	Repair kit (NOT SHOWN)

NOTE: It is our policy to continually improve products and as such we reserve the right to alter data, specifications and component parts without prior notice.

IMPORTANT: No liability is accepted for incorrect use of product.

WARRANTY: Guarantee is 12 months from purchase date, proof of which will be required for any claim.

Sealey Group, Kempson Way, Suffolk Business Park, Bury St Edmunds, Suffolk. IP32 7AR



01284 757500



01284 703534



sales@sealey.co.uk



www.sealey.co.uk