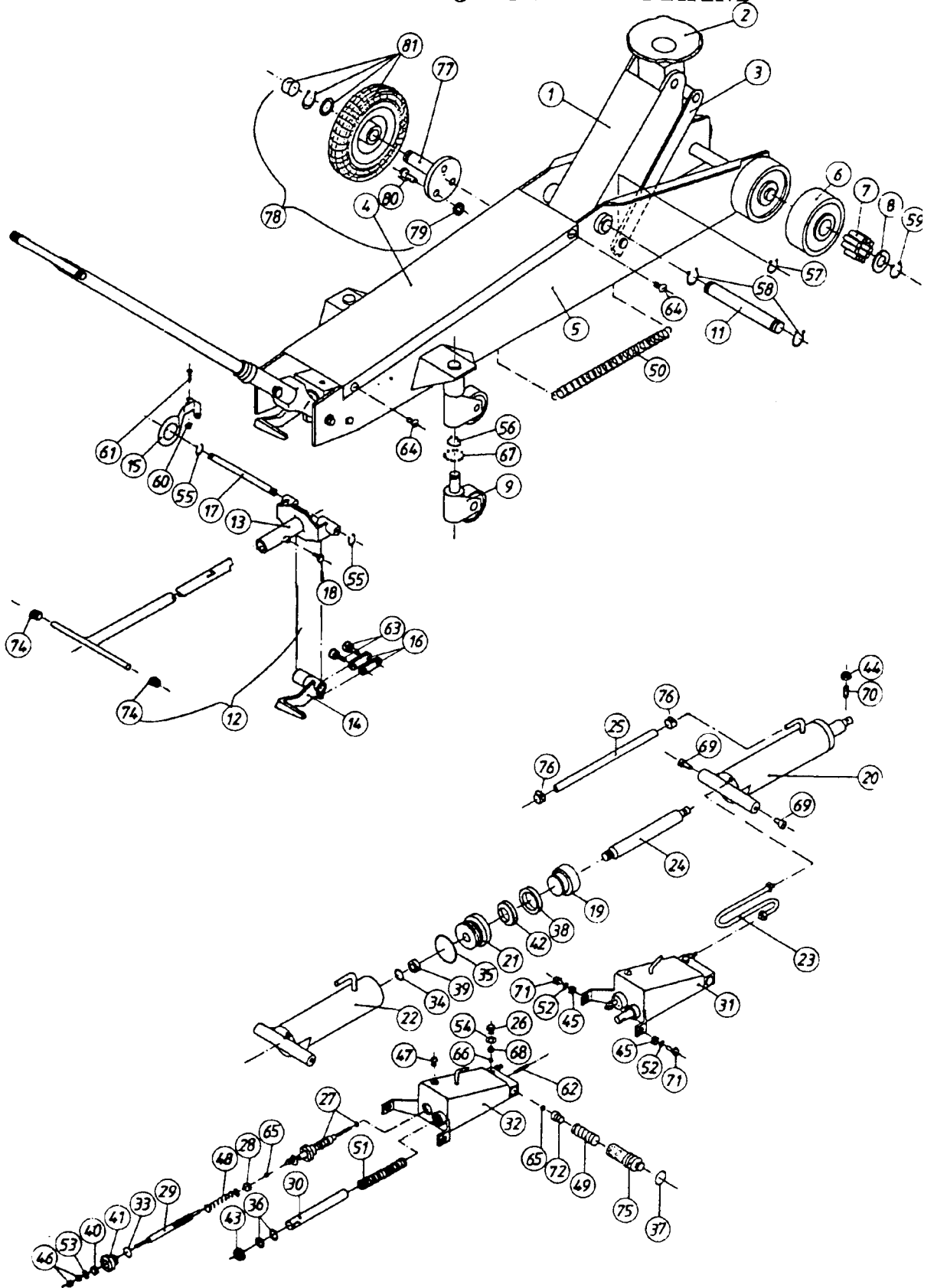


# 6000 TROLLEY JACK DIAGRAM



**SEALEY** *Quality*  
**MACHINERY**

Original Date:	3/3/13
Issue Date:	19/5/15
Version Number:	1
Date Modified:	19/5/15

# 6000 TROLLEY JACK PARTS LIST

Index			
no.	Stock Code	Description	Qty
1	100/35000100	Lifting Arm	1
2	100/3400200	Saddle	1
3	100/3500300	Steering Rod	2
4	100/3500400	Cover	1
5	100/3500500	Base Frame	1
6	100/3400600	Wheel, ø 120 mm	2
7	100/3400700	Roller	32
8	100/3400800	Bearing Cover	2
9	100/3400900	Revolving Wheel, complete	2
11	100/3500800	Axle for Arm/Base Frame	1
12	100/3700700	Handle, complete	1
13	100/3203100	Tipping Gear	1
14	100/3502200	Pedal	1
15	100/3201000	Release Bracket	1
16	100/3201300	Hinge Joint	2
17	100/3201400	Axle for Tipping Gear	1
18	100/3201800	Locking Screw	1
19	100/9006400	Piston	1
20	100/9006000	Cylinder, complete	1
21	100/9007200	Cover Nut, cylinder	1
22	100/9006200	Cylinder	1
23	100/9006300	Tube	1
24	100/9006500	Piston Rod	1
25	100/9006600	Hose	1
26	100/9020100	Valve Plug	1
27	100/9020300	Release Valve, complete	1
28	100/9020400	Spring Screw	1
29	100/9021000	Release Shaft	1
30	100/9021100	Pump Rod	1
31	100/9023000	Pump, complete	1
32	100/9023100	Pump Housing	1
33*	100/01004	O-Ring	1
34*	100/01017	O-Ring	1
35*	100/01021	O-Ring	1
36*	100/01032	O-Ring	2
37*	100/01140	O-Ring	2
38*	100/01111	Seal	1
39*	100/01125	Seal	1
40*	100/01151	Oil Seal	1
41*	100/01225	Nylon Seal	1
42*	100/01264	Scraper Ring	1
43*	100/01267	Scraper Ring	1
44	100/02001	Nut	1
45	100/02002	Nut	2
46	100/02014	Nut	2
47	100/02317	Filling Plug	1
48	100/02037	Release Spring	1
49	100/02038	Safety Valve Spring	1
50	100/02041	Return Spring	2

Index			
no.	Stock Code	Description	Qty
51	100/02051	Spring	1
52	100/02103	Spring Washer	2
53	100/02115	Washer Plate	1
54*	100/02126	Copper Washer	1
55	100/02204	Circlip	2
56	100/02205	Circlip	2
57	100/02206	Circlip	2
58	100/02208	Circlip	2
59	100/02209	Circlip	2
60	100/02223	Lock Washer	1
61	100/02229	Rivet	1
62	100/02234	Pin	1
63	100/02248	Rivet	2
64	100/02250	Screw	4
65*	100/02290	Ball, ø 4.5 mm	2
66*	100/02292	Ball, ø 6.5 mm	1
67	100/02293	Ball, ø 7.5 mm	24
68	100/02295	Ball, ø 11 mm	1
69	100/02308	Screw	2
70	100/02311	Pointed Screw	1
71	100/02318	Bolt	2
72	100/02340	Ball Pad	1
74	100/02374	Plastic Plug	2
75	100/02384	Adjustment Screw	1
76	100/02400	Hose Clip	2
77	100/3701900	Axle, extra	2
78	100/3702000	Transport Wheel assy, extra	2
79	100/02001	Nut	6
80	100/02337	Bolt, extra	6
81	100/02365	Transport Wheel, extra	2
*	6000/RK	Repair Kit (0900600)	

