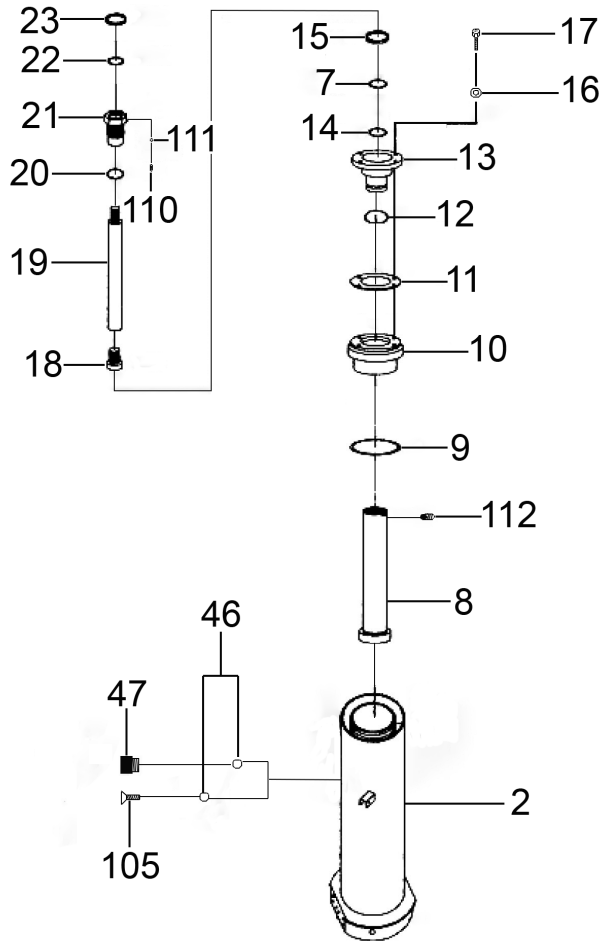


CYLINDER SET



Item	Part No.	Description
2	500TTJ.02	Cylinder Complete (Inc Parts 01 & 03)
7	800TTJ.07	O-Ring
8	500TTJ.08	Ram
9	800TTJ.09	O-Ring
10	500TTJ.10	Top Nut
11	500TTJ.11	Packing
12	500TTJ.12	O-Ring
13	500TTJ.13	Flange
14	500TTJ.14	O-Ring
15	500TTJ.15	Dust Seal
16	FWM10.S	Flat Washer M10
17	SS1030.S	Hex Head Set Screw M10 X 30

Item	Part No.	Description
18	500TTJ.18	Retainer Ram
19	500TTJ.19	Ram (Threaded End 30mm)
20	AK458DX.V4-13	O-Ring
21	500TTJ.21	Top Nut
22	AK45X.V2-29	O-Ring
23	500TTJ.23	Dust Seal
46	500TTJ.46	O-Ring
47	500TTJ.47	Air Vent Valve
105	500TTJ.105	Screw
110	GSM66.S	Grub screw M6 x 6
111	SB-4.7	Steel Ball 4.7mm
112	GSM56.S	Grub Screw M5 x 6

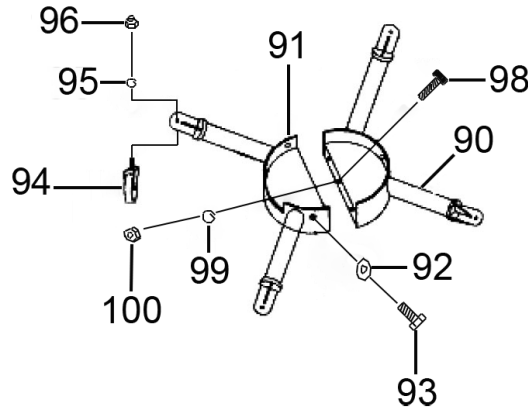
NOTE: It is our policy to continually improve products and as such we reserve the right to alter data, specifications and component parts without prior notice. There may be alternative versions of this product, please contact us should you require this information.

IMPORTANT: No liability is accepted for incorrect use of product. Spare parts must be fitted by a competent person

WARRANTY: Guarantee is 12 months from purchase date, proof of which will be required for any claim.



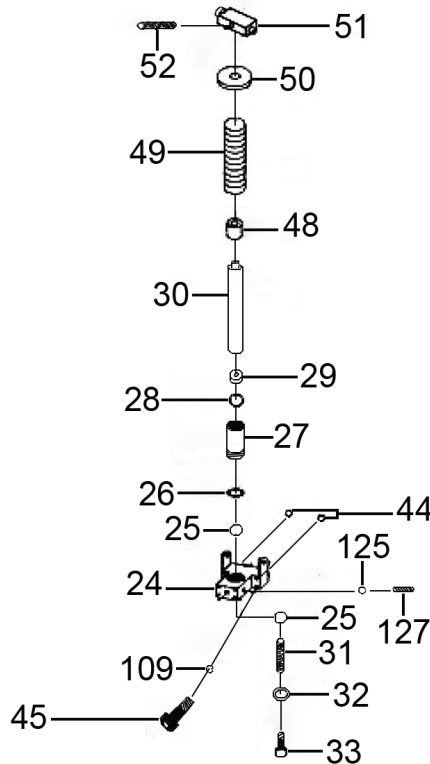
Parts Information:
**Transmission Jack 0.5tonne Vertical
 Telescopic
 Model No: 500TTJ**
LEG SET



Item	Part No.	Description
90	500TTJ.90	Leg Assembly (1)
91	500TTJ.91	Leg Assembly (2)
92	FWM12.S	Flat Washer M12
93	SS1230.S	Hex Head Set Screw M12 X 30
94	500TTJ.94	Wheel, Swivel Castor

Item	Part No.	Description
95	SWM12.SB	Spring Washer M12 Black
96	SN12.SD	Steel Nut M12 Domed
98	SS1230.S	Hex Head Set Screw M12 X 30
99	SWM10.SB	Spring Washer M10 Black
100	SN10.S	Steel Nut M10

PUMP SET



NOTE: It is our policy to continually improve products and as such we reserve the right to alter data, specifications and component parts without prior notice. There may be alternative versions of this product, please contact us should you require this information.

IMPORTANT: No liability is accepted for incorrect use of product. Spare parts must be fitted by a competent person

WARRANTY: Guarantee is 12 months from purchase date, proof of which will be required for any claim.



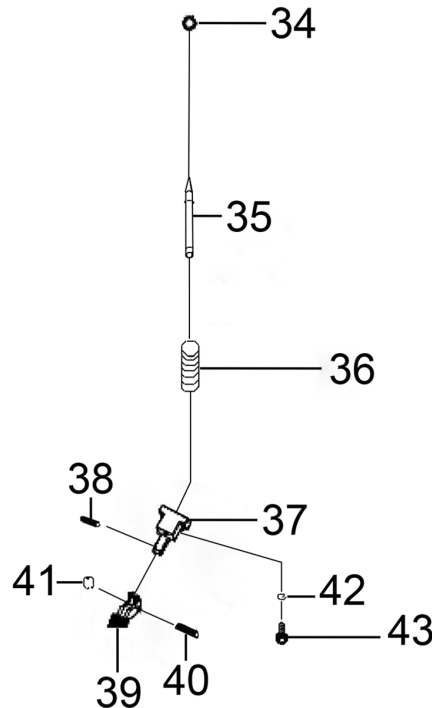


Parts Information:
**Transmission Jack 0.5tonne Vertical
 Telescopic
 Model No: 500TTJ**

Item	Part No.	Description
24	500TTJ.P24	Pump Base
25	SB-7.9	Steel Ball 7.9mm
26	500TTJ.P26	Washer Copper M26
27	500TTJ.P27	Pump Cylinder
28	RE91/10.07	O-Ring
29	500TTJ.P29	Dust Seal
30	500TTJ.P30	Pump Piston
31	500TTJ.P31	Spring Conical
32	500TTJ.P32	Washer Copper M12
33	500TTJ.P33	Bolt M12x14

Item	Part No.	Description
44	GSA08.09-4	O-Ring
45	SCB1055.SB	Socket Cap Bolt M10 X 55 Black
48	500TTJ.P48	Dust Cap
49	500TTJ.P49	Spring
50	500TTJ.P50	Spring Retainer
51	500TTJ.P51	Connecting Rod
52	GSM810.SB	Grub Screw M8x10 (Black)
109	SWM10.SB	Spring Washer M10 Black
125	SB-6.4	Steel Ball 6.4mm
127	GSM810.S	Grub screw M8x10

RELEASE VALVE SET



Item	Part No.	Description
34	DH03.V2-39	O-Ring
35	500TTJ.RV35	Release Valve Rod
36	500TTJ.RV36	Spring
37	500TTJ.RV37	Valve
38	500TTJ.RV38	Pin 6x32mm

Item	Part No.	Description
39	500TTJ.RV39	Pedal release Valve
40	500TTJ.RV40	Pin
41	500TTJ.RV41	E-Clip (Internal)
42	SWM6.SB	Spring Washer M6 Black
43	SCB625.SB	Socket Cap Bolt M6 x 25 Black

NOTE: It is our policy to continually improve products and as such we reserve the right to alter data, specifications and component parts without prior notice. There may be alternative versions of this product, please contact us should you require this information.

IMPORTANT: No liability is accepted for incorrect use of product. Spare parts must be fitted by a competent person

WARRANTY: Guarantee is 12 months from purchase date, proof of which will be required for any claim.

Sealey Group, Kempson Way, Suffolk Business Park, Bury St Edmunds, Suffolk. IP32 7AR



01284 757500



01284 703534

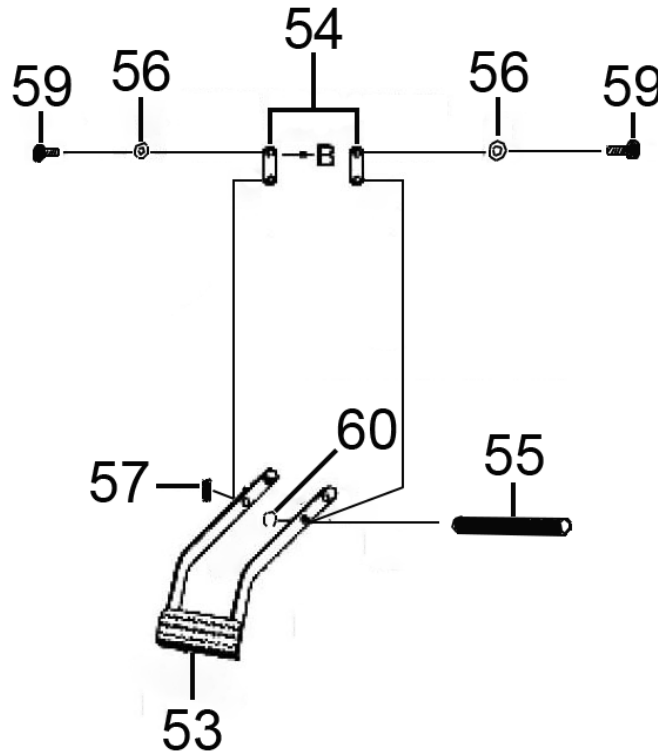


sales@sealey.co.uk



www.sealey.co.uk

PUMP PEDAL SET



Item	Part No.	Description
53	500TTJ.PP53	Pedal Pump Piston
54	500TTJ.PP54	Link
55	500TTJ.PP55	Cotter Link 14x20mm
56	FWM8.S	Flat Washer M8

Item	Part No.	Description
57	500TTJ.PP57	Cotter Pin M3.0 x 25
59	SS812.S	Hex Head Set Screw M8 x 12
60	500TTJ.PP60	Circlip

Item	Part No.	Description
--	500TTJ.PP58	Shaft / Shaft (Not Shown)
--	500TTJ.101	Handle (Not Shown)
--	500TTJ.102	Grip (Not Shown)
--	SS1045.S	Hex Head Set Screw M10 X 45 (Not Shown)

Item	Part No.	Description
--	500TTJ.107	Handle (Not Shown)
--	FWM10.S	Flat Washer M10 (Not Shown)
--	500TTJ.FK	Fixing Kit (Not Shown)
--	500TTJ-SADDLE	Saddle (Not Shown)

NOTE: It is our policy to continually improve products and as such we reserve the right to alter data, specifications and component parts without prior notice. There may be alternative versions of this product, please contact us should you require this information.

IMPORTANT: No liability is accepted for incorrect use of product. Spare parts must be fitted by a competent person

WARRANTY: Guarantee is 12 months from purchase date, proof of which will be required for any claim.