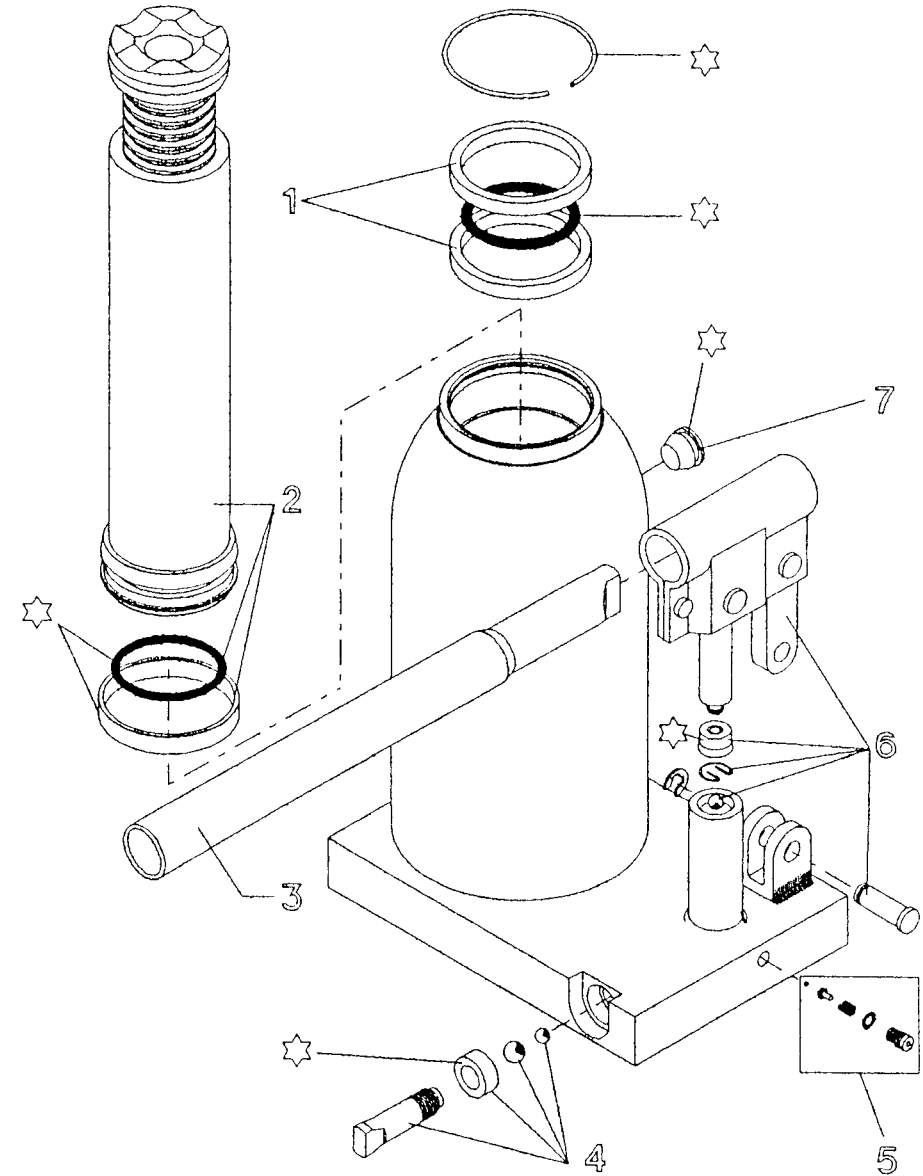


HM BOTTLE JACKS (FROM 7/94)

POS.	PART NO.	DESCRIPTION
1	13 HM / 1102-94 14 HM / 1102-94 15 HM / 1102-94 16 HM / 1102-94 17 HM / 1102-94 18 HM / 1102-94 20 HM / 1102-94 22 HM / 1102-94 25 HM / 1102-94 42 HM / 1102-94 46 HM / 1102-94	PISTON GUIDE SELF-LUBRICATED RING " " " " " " " " " "
2	13 HM / A-94 14 HM / A-94 15 HM / A-94 16 HM / A-94 17 HM / A-94 18 HM / A-94 20 HM / A-94 22 HM / A-94 25 HM / A-94 42 HM / A-94 46 HM / A-94	RAM ASSEMBLY " " " " " " " " " "
3	13-14 HM / HC-94 15-16 HM / HC-94 17-46 HM / HC-94	HANDLE SET 13 & 14 HM HANDLE SET 15 & 16 HM HANDLE COMPLETE 17 HM - 46 HM INC.
4	HM / E-94	RELEASE VALVE ASSEMBLY
5	HM / SV	SAFETY VALVE ASSEMBLY (DO NOT TAMPER WITH)
6	13-46 HM / B-94	HANDLE SOCKET ASSEMBLY
7	112 / 1139	OIL FILLER PLUG (ALL MODELS)



* PARTS INCLUDED IN REPAIR KIT (state Model No.)



SEALEY QUALITY MACHINERY
 Easlea Road, Moreton Hall Industrial Estate,
 Bury St. Edmunds, Suffolk. IP32 7BY.
 Telephone 0284 701261 / 769261 (10 lines)
 FAX 0284 703534

Original Date:	21-7-94
Issue Date:	21-7-94
Version Number:	0
Date Modified:	N/A