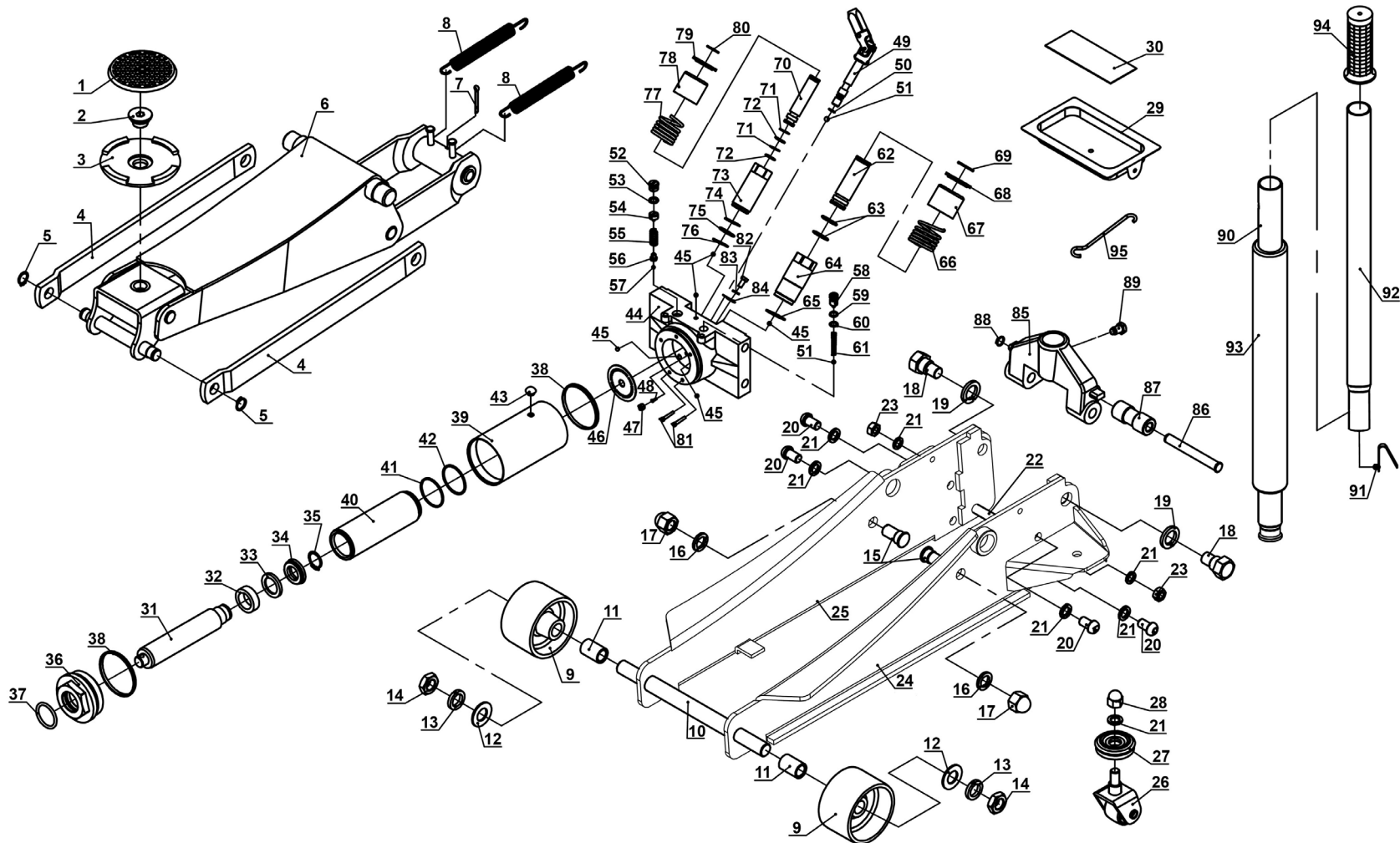




Parts Information: Trolley Jack 4tonne Rocket Lift Model No: 4040.V2 SERIES



NOTE: It is our policy to continually improve products and as such we reserve the right to alter data, specifications and component parts without prior notice.

There may be alternative versions of this product, please contact us should you require this information.

IMPORTANT: No liability is accepted for incorrect use of product. Spare parts must be fitted by a competent person

WARRANTY: Guarantee is 12 months from purchase date, proof of which will be required for any claim.

Sealey Group, Kempson Way, Suffolk Business Park, Bury St Edmunds, Suffolk. IP32 7AR

01284 757500 | 01284 703534 | sales@sealey.co.uk | www.sealey.co.uk



Parts Information:
Trolley Jack 4tonne Rocket Lift
Model No: 4040.V2 SERIES

Item	Part No.	Description
1	JP17	Safety Rubber Jack Pad - Type B
2	4040A.02	Saddle Pin
3	4040A.03	Saddle
4	4040A.04	Radius Link
5	4040A.05	Snap Ring
6	4040AB.06	Lifting Arm Assembly 'Black' (4040AB Only)
6	4040AG.06	Lifting Arm Assembly 'Green' (4040AG Only)
6	4040AO.06	Lifting Arm Assembly 'Orange' (4040AO Only)
6	4040AR.06	Lifting Arm Assembly 'Red' (4040AR Only)
6	4040AY.06	Lifting Arm Assembly 'Yellow' (4040AY Only)
7	4040A.07	Split Pin
8	4040A.08	Return Spring Dia 17mm
9	4040AB.06	Front Wheel 'black', Fixed, c/w fixings (D:92 W:55 B:23) (4040AB only)
9	4040AG.09	Front Wheel 'green', Fixed, c/w fixings (D:92 W:55 B:23) (4040AG only)
9	4040AO.09	Front Wheel 'orange', Fixed, c/w fixings (D:92 W:55 B:23) (4040AO only)
9	4040AR.09	Front Wheel 'red', Fixed, c/w fixings (D:92 W:55 B:23) (4040AR only)
9	4040AY.09	Front Wheel 'yellow', Fixed, c/w fixings (D:92 W:55 B:23) (4040AY only)
10	4040A.10	Front Axle
11	4040A.11	Front Wheel Bushing
12	FWM18.S	Flat Washer M18 Zinc
13	SWM18.S	Spring Washer M18 Zinc
14	4040A.14	M18 Half Nut
15	4040A.15	Radius Link Stud
16	4040A.16	Lock Washer
17	SN16.SD	Steel Nut M16 Domed Zinc
18	4040A.18	Handle Socket Side Bolt
19	SWM20.S	Spring Washer M20 Zinc
20	4040A.20	Button Head Socket Screw
21	SWM12.S	Spring Washer M12 Zinc (single)
22	4040A.22	Frame Rod
23	4040A.23	Nut
24	4040A.24	Side Frame, Left
25	4040A.25	Side Frame, Right
26	4040AB.26	Wheel , Swivel Castor W/Fixings (D:44 W:28 B:8 H:102) (4040AB only)
26	4040AG.26	Wheel , Swivel Castor W/Fixings (D:44 W:28 B:8 H:102) (4040AG only)
26	4040AO.26	Wheel , Swivel Castor W/Fixings (D:44 W:28 B:8 H:102) (4040AO only)

Item	Part No.	Description
26	4040AR.26	Wheel , Swivel Castor W/Fixings (D:44 W:28 B:8 H:102) (4040AR only)
26	4040AY.26	Wheel , Swivel Castor W/Fixings (D:44 W:28 B:8 H:102) (4040AY only)
27	4040A.27	Bearing Race Assembly
28	SN12.SD	Steel Nut M12 Domed Zinc
29	4040A.29	Tool Tray c/w Part 30
30	4040A.30	Magnetic Rubber Pad
31	4040A.31	Ram Plunger Assembly
32	4040A.32	Bushing Cover
33	4040A.33	Back-Up Washer
34	4040A.34	U-Cup Seal
35	4040A.35	Retaining Ring
36	4040A.36	Top Nut
37	SA792.V2-76	O-ring, (Ex: 43.15 In: 36.09 Cs: 3.53)
38	4040A.38	Sealing Ring
39	4040A.39	Reservoir
40	4040A.40	Cylinder
41	4040A.41	Back-Up Washer
42	4040A.42	O-ring, (Ex: 55.30 In: 51.09 Cs: 2.11)
43	4040A.43	Oil Filler Plug
44	4040A.44	Base Plate
45	4040A.45	Steel Ball
46	4040A.46	Washer
47	3000CXD.V6-48	Throttle Valve
48	3000CXD.V6-49	Spring
49	3040A.48N	Release Valve Assembly
50	GSA08.09-4	O-ring, (Ex: 11.21 In: 7.65 Cs: 1.78)
51	SB-6.1	Steel Ball 6.1mm
52	4040A.50	Guide Screw
53	4040A.51	O-ring, (Ex: 12.94 In: 8.63 Cs: 2.16)
54	4040A.52	Safety Valve Screw
55	4040A.53	Valve Spring Dia 10.3mm
56	4040A.54	Valve
57	4040A.55	Steel Ball
58	4040A.56	Bolt
59	4040A.57	Back-Up Washer
60	GSA08.09-4	O-ring, (Ex: 11.21 In: 7.65 Cs: 1.78)
61	4040A.59	Spring Dia 8mm
62	4040A.60	Pump Piston (Large)
63	SA29.V3-41	O-ring, (Ex: 22.36 In: 17.12 Cs: 2.62)
64	4040A.62	Pump Cylinder (Large)

NOTE: It is our policy to continually improve products and as such we reserve the right to alter data, specifications and component parts without prior notice. There may be alternative versions of this product, please contact us should you require this information.

IMPORTANT: No liability is accepted for incorrect use of product. Spare parts must be fitted by a competent person

WARRANTY: Guarantee is 12 months from purchase date, proof of which will be required for any claim.

Sealey Group, Kempson Way, Suffolk Business Park, Bury St Edmunds, Suffolk. IP32 7AR



01284 757500



01284 703534



sales@sealey.co.uk



www.sealey.co.uk



Parts Information:
Trolley Jack 4tonne Rocket Lift
Model No: 4040.V2 SERIES

Item	Part No.	Description
65	4040A.63	Washer (Pump Cylinder 'Large')
66	4040A.64	Spring Dia 32.2mm
67	4040A.65	Pump Core (Large)
68	4040A.66	Spring Cover Plate (Large)
69	4040A.67	Snap Ring
70	4040A.68	Pump Piston (Small)
71	4040A.69	Back-Up Washer
72	SA695.13	O-ring, (Ex: 16.01 In: 10.77 Cs: 2.62)
73	4040A.71	Pump Cylinder (Small)
74	4040A.72	Back-Up Washer
75	4040A.73	O-ring, (Ex: 25.62 In: 21.43 Cs: 2.55)
76	4040A.74	Washer (Pump Cylinder 'Small')
77	4040A.75	Spring (Pump Core Small) Dia 28.6mm
78	4040A.76	Pump Core (Small)
79	4040A.77	Spring Cover Plate (Small)
80	4040A.78	Snap Ring
81	4040A.79	Strainer

Item	Part No.	Description
82	4040A.80	Bolt
83	4040A.81	Lock Washer
84	4040A.82	Washer
85	4040A.83N	Handle Socket
86	4040A.84	Handle Socket Pin
87	4040A.85	Handle Socket Roller
88	4040A.86	Snap Ring
89	4040A.87N	Handle Socket Bolt
90	4040A.89N	Lower Handle c/w Part 92
91	2001LERE.V2-92	Handle Lock Button
92	4040A.91N	Upper Handle c/w Part 93
93	4040A.92	Handle Sleeve
94	4040A.93	Handle Grip
95	4040A.94N	Hook
--	4040A.HU	Hydraulic Unit Complete
--	4040A.RK	Repair Kit

NOTE: It is our policy to continually improve products and as such we reserve the right to alter data, specifications and component parts without prior notice. There may be alternative versions of this product, please contact us should you require this information.

IMPORTANT: No liability is accepted for incorrect use of product. Spare parts must be fitted by a competent person

WARRANTY: Guarantee is 12 months from purchase date, proof of which will be required for any claim.

Sealey Group, Kempson Way, Suffolk Business Park, Bury St Edmunds, Suffolk. IP32 7AR



01284 757500



01284 703534



sales@sealey.co.uk



www.sealey.co.uk