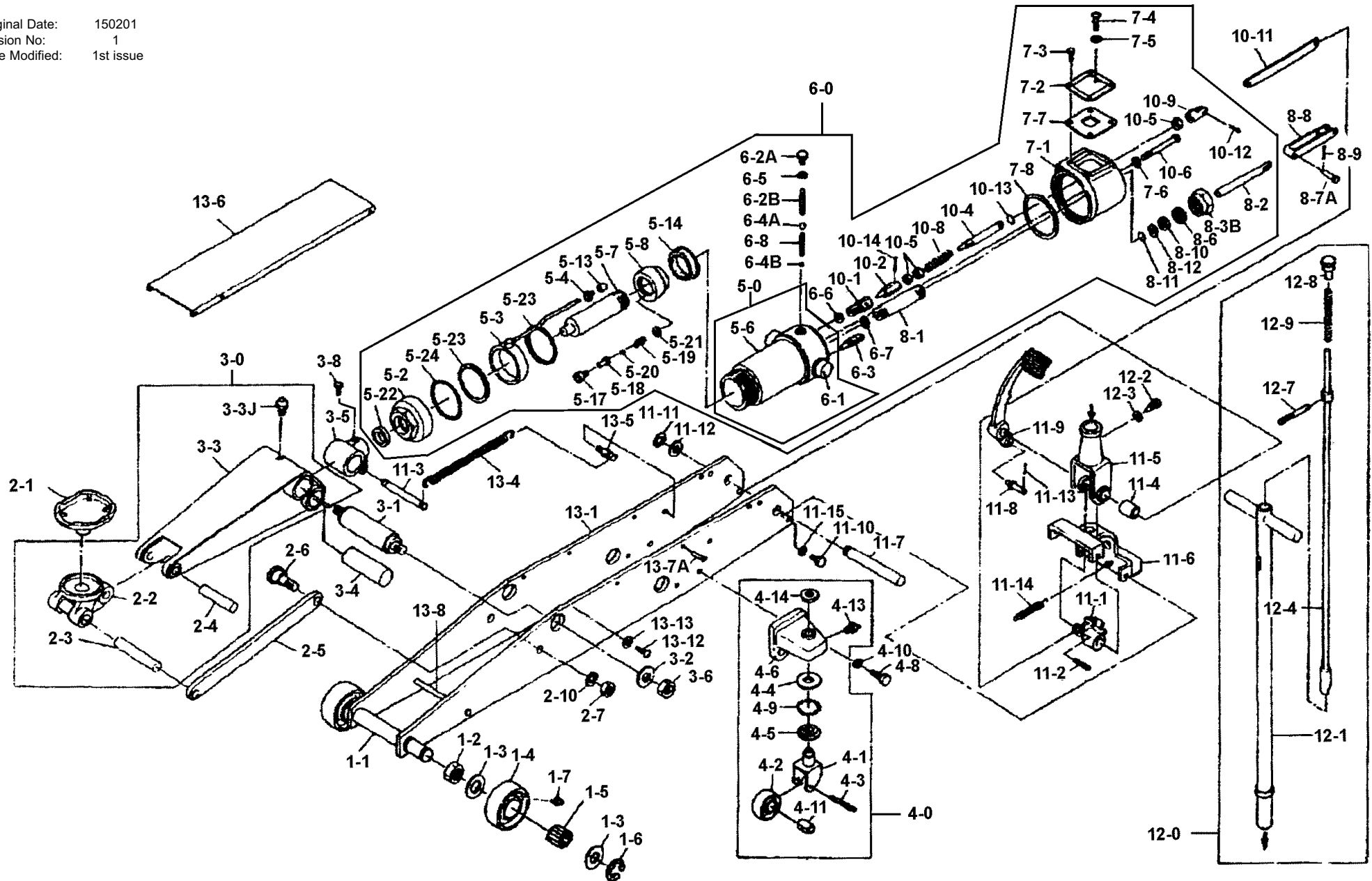


Original Date: 150201
Version No: 1
Date Modified: 1st issue



Item	Part No.	Description
1-1	4001/1-1	Front Wheel Shaft
1-2	4001/1-2	Front Wheel Nut
1-3	4001/1-3	Washer
1-4	4001/1-4	Front Wheel
1-5	4001/1-5	Roller
1-6	4001/1-6	E-ring
1-7	4001/1-7	Grease Nipple
2-1	4001/2-1	Saddle
2-2	4001/2-2	Saddle Base
2-3	4001/2-3	Link Rod Pin A
2-4	4001/2-4	Arm Pin A
2-5	4001/2-5	Link Rod
2-6	4001/2-6	Link Rod Pin B
2-7	4001/2-7	Nut
2-10	4001/2-10	Spring Washer
3-0	4001/3-0	Arm Assembly
3-1	4001/3-1	Arm Pin
3-2	4001/3-2	Washer
3-3	4001/3-3	Arm
3-3J	4001/3-3J	Grease Nipple
3-4	4001/3-4	Piston Pin
3-5	4001/3-5	Piston Connecting Joint
3-6	4001/3-6	Nut
3-8	4001/3-8	Bolt
4-0	4001/4-0	Castor Assembly
4-1	4001/4-1	Castor Fork
4-2	4001/4-2	Rear Wheel
4-3	4001/4-3	Rear Wheel Shaft
4-4	4001/4-4	Upper Ring Race
4-5	4001/4-5	Lower Ring Race
4-6	4001/4-6	Castor Bracket
4-8	4001/4-8	Bolt
4-9	4001/4-9	Steel Ball
4-10	4001/4-10	Spring Washer

Item	Part No.	Description
4-11	4001/4-11	Bush
4-13	4001/4-13	Grease Nipple
4-14	4001/4-14	Cap
5-0	4001/5-0	Oil Box Assembly
5-2	4001/5-2	Tank Nut
5-3	4001/5-3	Ring
5-4	4001/5-4	Pipe Nipple
5-6	4001/5-6	Cylinder
5-7	4001/5-7	Piston Rod
5-8	4001/5-8	Piston Packing Retainer
5-13	4001/5-13	Cork Packing *
5-14	4001/5-14	U-type Packing *
5-17	4001/5-17	By-pass Valve Housing
5-18	4001/5-18	By-pass Rod
5-19	4001/5-19	By-pass Spring
5-20	4001/5-20	Steel Ball *
5-21	4001/5-21	Copper Packing *
5-22	4001/5-22	Oil Seal
5-23	4001/5-23	Nylon Packing *
5-24	4001/5-24	O-ring
6-0	4001/6-0	Power Unit Assembly
6-1	4001/6-1	Oil Box
6-2A	4001/6-2A	Bolt
6-2B	4001/6-2B	Separator
6-3	4001/6-3	Oil Strainer
6-4A	4001/6-4A	Steel Ball *
6-4B	4001/6-4B	Steel Ball *
6-5	4001/6-5	Copper Packing *
6-6	4001/6-6	Copper Packing *
6-7	4001/6-7	Copper Packing *
6-8	4001/6-8	Separator
7-1	4001/7-1	Oil Tank
7-2	4001/7-2	Oil Tank Cover
7-3	4001/7-3	Bolt

Item	Part No.	Description
7-4	4001/7-4	Screw
7-5	4001/7-5	Packing
7-6	4001/7-6	Fibre Packing
7-7	4001/7-7	Packing *
7-8	4001/7-8	Rubber Packing *
8-1	4001/8-1	Pump Cylinder
8-2	4001/8-2	Pump Plunger
8-3B	4001/8-3B	Lock Nut
8-6	4001/8-6	Rubber Packing *
8-7A	4001/8-7A	Plunger Connecting Pin
8-8	4001/8-8	Connecting Bar
8-9	4001/8-9	Cotter Pin
8-10	4001/8-10	Oil Seal *
8-11	4001/8-11	O-ring *
8-12	4001/8-12	Back-up Ring *
10-1	4001/10-1	Release Valve Housing
10-2	4001/10-2	Release Valve
10-4	4001/10-4	Release Valve Con. Rod
10-5	4001/10-5	Lock Nut
10-6	4001/10-6	Bolt
10-8	4001/10-8	Spring
10-9	4001/10-9	Fork
10-11	4001/10-11	Release Valve Con. Link
10-12	4001/10-12	Cotter Pin
10-13	4001/10-13	O-ring *
10-14	4001/10-14	Retaining Pin
11-1	4001/11-1	Cam Step
11-2	4001/11-2	Spring Pin
11-3	4001/11-3	Spring Hanger, Rear
11-4	4001/11-4	Collar
11-5	4001/11-5	Handle Fork
11-6	4001/11-6	Handle Fork Bracket
11-7	4001/11-7	Handle Shaft
11-8	4001/11-8	Foot Pedal Pin

Item	Part No.	Description
11-9	4001/11-9	Foot Pedal
11-10	4001/11-10	Bolt
11-11	4001/11-11	Snap Ring
11-12	4001/11-12	Washer
11-13	4001/11-13	Cotter Pin
11-14	4001/11-14	Spring
11-15	4001/11-15	Spring Washer
12-0	4001/12-0	Handle Assembly
12-1	4001/12-1	Handle
12-2	4001/12-2	Handle Set Screw
12-3	4001/12-3	Spring Washer
12-4	4001/12-4	Valve Control Rod
12-7	4001/12-7	Valve Control Lever
12-8	4001/12-8	Handle Cap
12-9	4001/12-9	Spring
13-1	4001/13-1	Frame
13-4	4001/13-4	Spring
13-5	4001/13-5	Spring Hanger, Rear
13-6	4001/13-6	Cover
13-7A	4001/13-7A	Rivet
13-11	4001/13-8	Arm Stopper
13-12	4001/13-12	Screw
13-13	4001/13-13	Washer
*	4001/RK	Repair Kit - consisting of items marked *