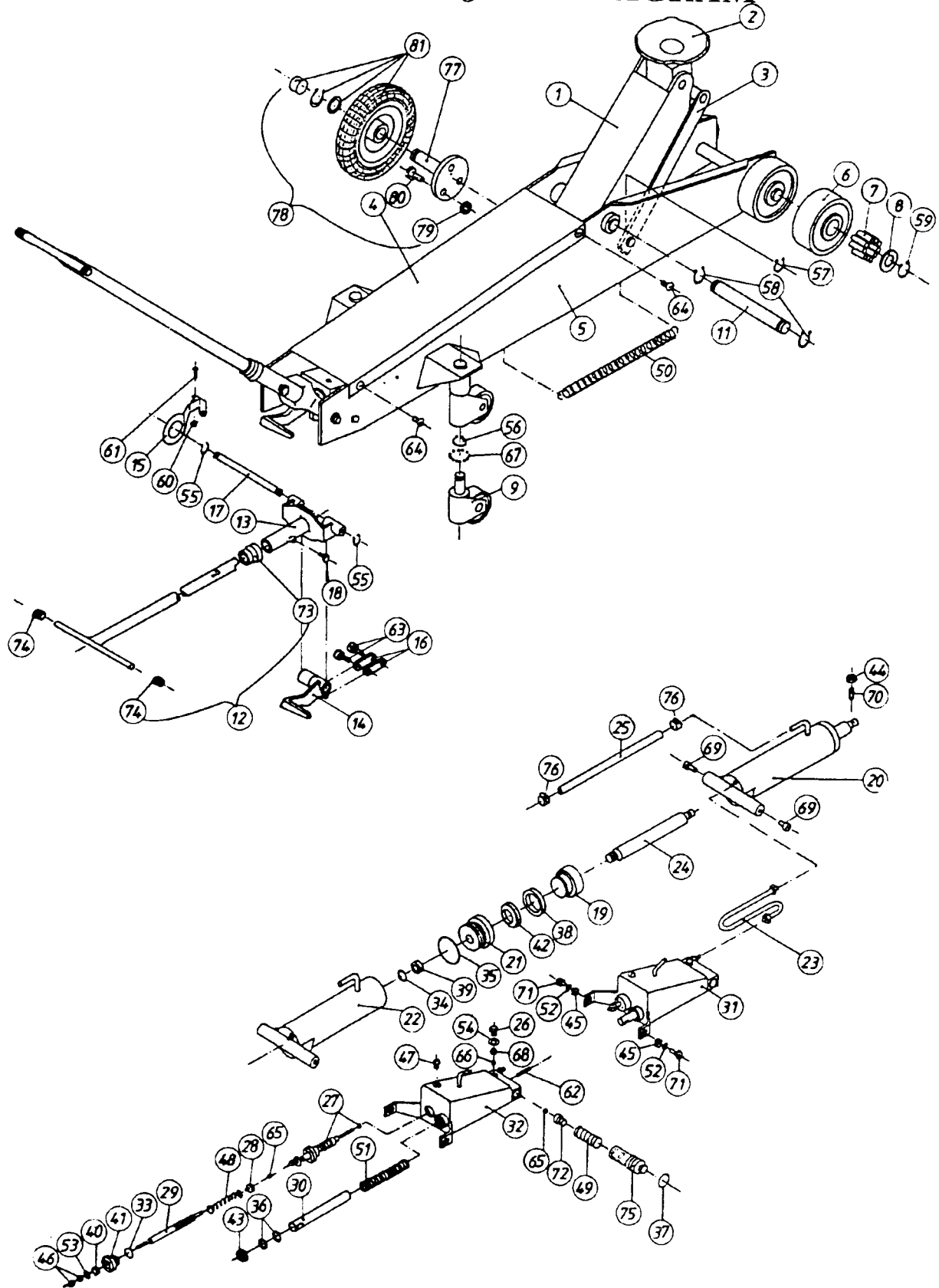


4000 TROLLEY JACK DIAGRAM



SEALEY

Quality
MACHINERY

Original Date:	3/3/75
Issue Date:	19/12/75
Version Number:	1
Date Modified:	19/12/75

4000 TROLLEY JACK PARTS LIST

Index no.	Stock Code	Description	Qty	Index no.	Stock Code	Description	Qty
1	100/3400100	Lifting Arm	1	51	100/02051	Spring	1
2	100/3400200	Saddle	1	52	100/02103	Spring Washer	2
3	100/3400300	Steering Rod	2	53	100/02115	Washer Plate	1
4	100/3400400	Cover	1	54*	100/02126	Copper Washer	1
5	100/3400500	Base Frame	1	55	100/02204	Circlip	2
6	100/3400600	Wheel, ø 120 mm	2	56	100/02205	Circlip	2
7	100/3400700	Roller	32	57	100/02206	Circlip	2
8	100/3400800	Bearing Cover	2	58	100/02208	Circlip	2
9	100/3400900	Revolving Wheel, complete	2	59	100/02209	Circlip	2
11	100/3401100	Axle for Arm/Base Frame	1	60	100/02223	Lock Washer	1
12	100/3401200	Handle, complete	1	61	100/02229	Rivet	1
13	100/3402100	Tipping Gear	1	62	100/02234	Pin	1
14	100/3402200	Pedal	1	63	100/02248	Rivet	2
15	100/3201000	Release Bracket	1	64	100/02281	Screw	4
16	100/3201300	Hinge Joint	2	65*	100/02290	Ball, ø 4.5 mm	2
17	100/3201400	Axle for Tipping Gear	1	66*	100/02292	Ball, ø 6.5 mm	1
18	100/3201800	Locking Screw	1	67	100/02293	Ball, ø 7.5 mm	24
19	100/9006400	Piston	1	68	100/02295	Ball, ø 11 mm	1
20	100/9007000	Cylinder, complete	1	69	100/02308	Screw	2
21	100/9007200	Cover Nut, cylinder	1	70	100/02311	Pointed Screw	1
22	100/9007300	Cylinder	1	71	100/02334	Bolt	2
23	100/9007400	Tube	1	72	100/02340	Ball Pad	1
24	100/9007500	Piston Rod	1	73	100/02371	Dust Cap	1
25	100/9007600	Hose	1	74	100/02374	Plastic Plug	2
26	100/9020100	Valve Plug	1	75	100/02384	Adjustment Screw	1
27	100/9020300	Release Valve, complete	1	76	100/02400	Hose Clip	2
28	100/9020400	Spring Screw	1	77	100/3701900	Axle, extra	2
29	100/9021000	Release Shaft	1	78	100/3702000	Transport Wheel assy, extra	2
30	100/9021100	Pump Rod	1	79	100/02001	Nut	6
31	100/9023000	Pump, complete	1	80	100/02337	Bolt, extra	6
32	100/9023100	Pump Housing	1	81	100/02365	Transport Wheel, extra	2
33*	100/01004	O-Ring	1	*	4000/RK	Repair Kit (0900600)	
34*	100/01017	O-Ring	1				
35*	100/01021	O-Ring	1				
36*	100/01032	O-Ring	2				
37*	100/01140	O-Ring	2				
38*	100/01111	Seal	1				
39*	100/01125	Seal	1				
40*	100/01151	Oil Seal	1				
41*	100/01225	Nylon Seal	1				
42*	100/01264	Scraper Ring	1				
43*	100/01267	Scraper Ring	1				
44	100/02001	Nut	1				
45	100/02002	Nut	2				
46	100/02014	Nut	2				
47	100/02317	Filling Plug	1				
48	100/02037	Release Spring	1				
49	100/02038	Safety Valve Spring	1				
50	100/02041	Return Spring	2				

