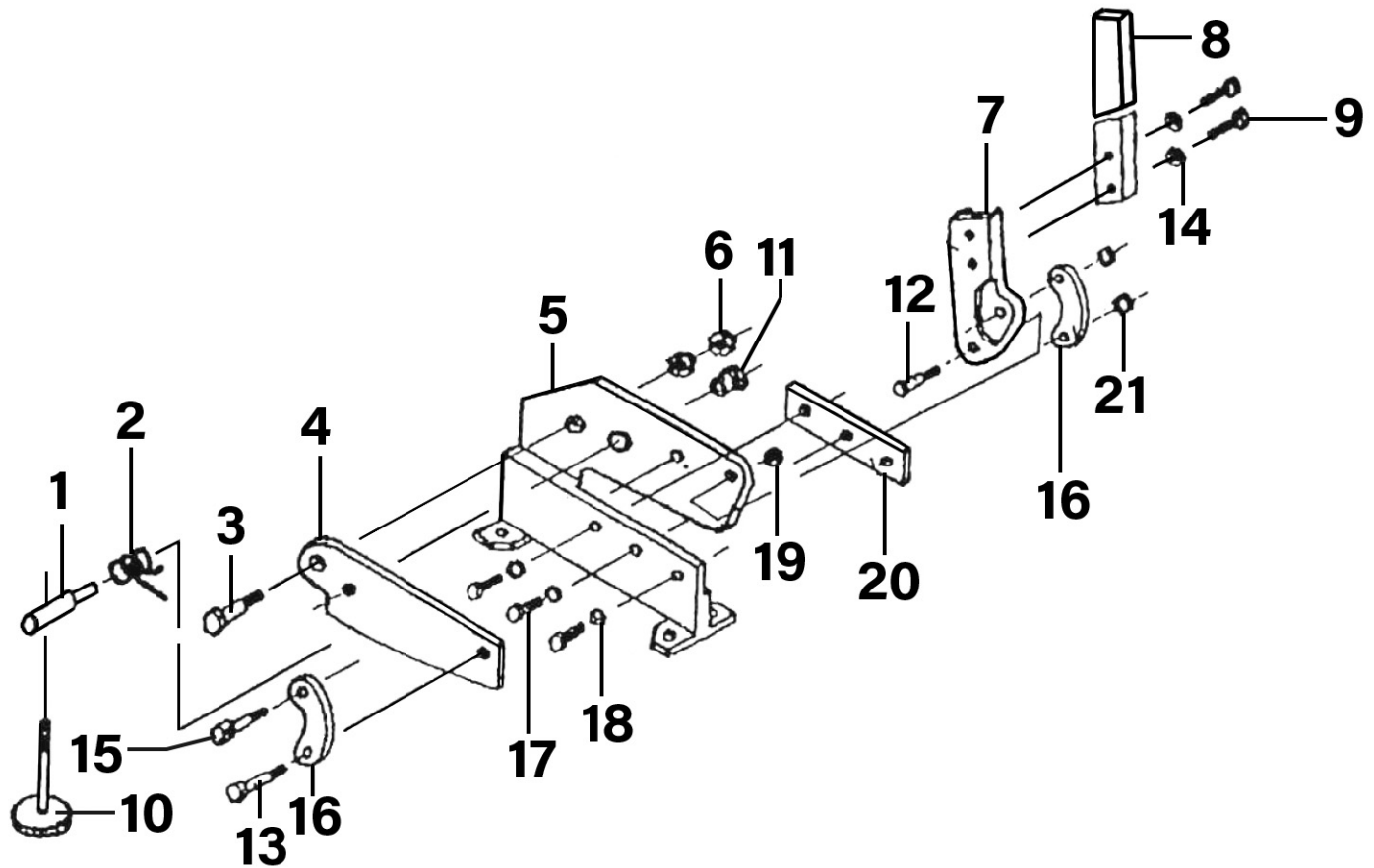




Parts Information:
Metal Cutting Shears 4mm Capacity 10mm Round
Model No: 3S/4R.V2



| Item | Part No. | Description |
|------|-------------|--------------------------------|
| 1 | 3S/4R.V2-01 | Shaft |
| 2 | 3S/4R.V2-02 | Spring Dia 40mm |
| 3 | 3S.6R.V2-03 | Bolt M14x50 |
| 4 | 3S/4R.V2-04 | Upper Blade |
| 5 | 3S/4R.V2-05 | Body |
| 6 | 3S/4R.V2-06 | M14 X 1.5 Fine Pitch Nut Black |
| 7 | 3S/4R.V2-07 | Lever |
| 8 | 3S/4R.V2-08 | Handle |
| 9 | 3S/4R.V2-09 | Screw |
| 10 | 3S/4R.V2-10 | Disc (60mm Thread) |
| 11 | 3S/4R.V2-11 | Sleeve |

| Item | Part No. | Description |
|------|-------------|--------------------------|
| 12 | 3S/4R.V2-12 | Screw |
| 13 | 3S/4R.V2-13 | Screw |
| 14 | FWM10.S | Flat Washer M10 Zinc |
| 15 | 3S/4R.V2-15 | Screw |
| 16 | 3S/4R.V2-16 | Linkage |
| 17 | 3S/4R.V2-17 | Screw |
| 18 | 3S/4R.V2-18 | Washer |
| 19 | 3S/4R.V2-19 | Nut |
| 20 | 3S/4R.V2-20 | Lower Blade |
| 21 | 3S/4R.V2-21 | 5/16 unf Half Nut- Black |

NOTE: It is our policy to continually improve products and as such we reserve the right to alter data, specifications and component parts without prior notice. There may be alternative versions of this product, please contact us should you require this information.

IMPORTANT: No liability is accepted for incorrect use of product. Spare parts must be fitted by a competent person

WARRANTY: Guarantee is 12 months from purchase date, proof of which will be required for any claim.

Sealey Group, Kempson Way, Suffolk Business Park, Bury St Edmunds, Suffolk. IP32 7AR



01284 757500



sales@sealey.co.uk



www.sealey.co.uk