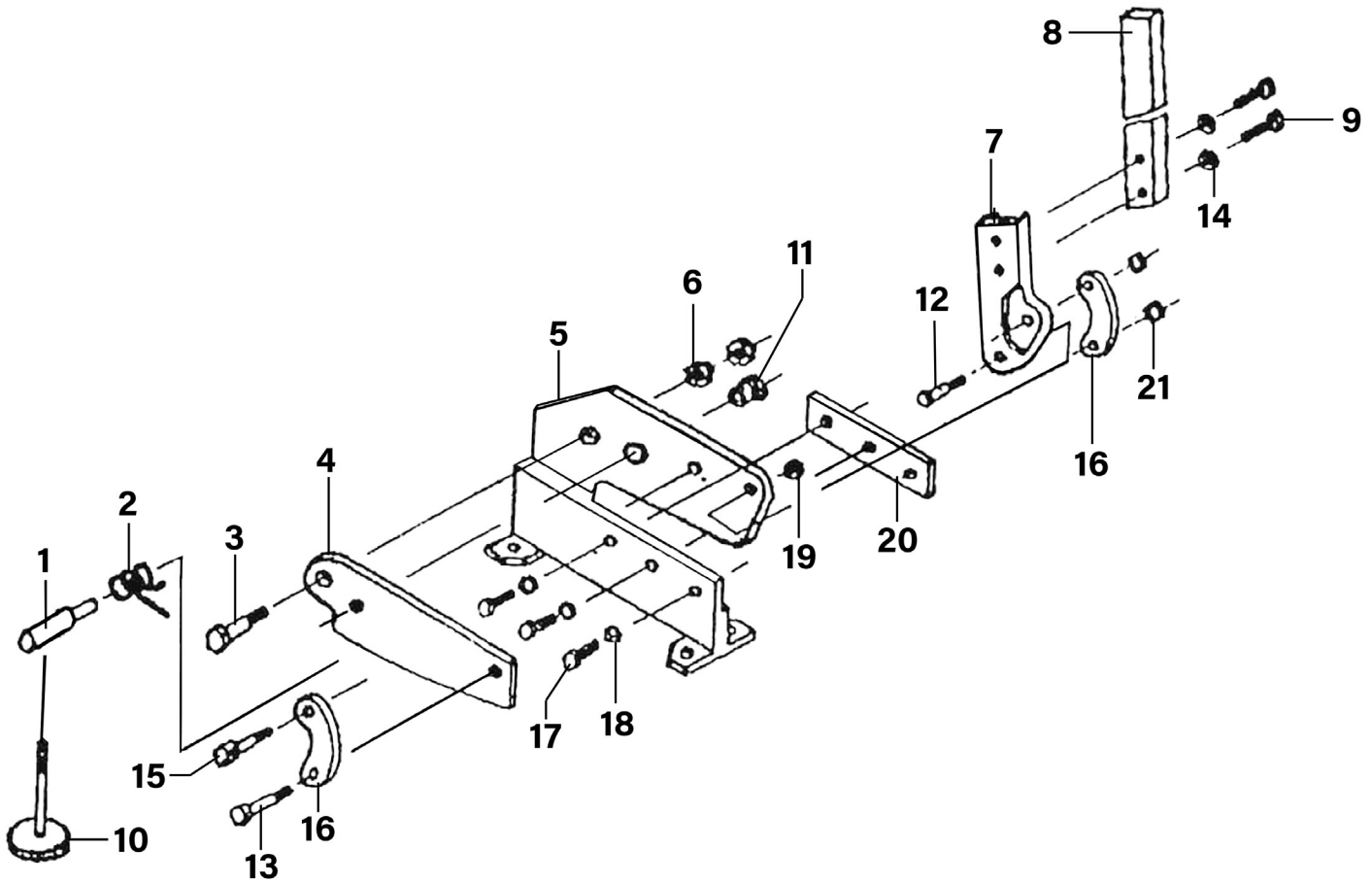




Parts Information:
**6mm Capacity Ø12mm Round Metal
 Cutting Shears**
Model No: 3S/6R.V2



Item	Part No.	Description
1	3S/4R.V2-01	Shaft
2	3S/4R.V2-02	Spring Dia 40mm
3	3S.6R.V2-03	Bolt M14x50
4	3S/6R.V2-04	Upper Blade
5	3S/6R.V2-05	Body
6	3S/4R.V2-06	M14 X 1.5 Fine Pitch Nut Black
7	3S/4R.V2-07	Lever
8	3S/6R.V2-08	Handle 1000x40x25mm (Inc Rubber Grip)
9	3S/4R.V2-09	Screw
10	3S/6R.V2-10	Disc (94mm Thread)
11	3S/4R.V2-11	Sleeve
12	3S/4R.V2-12	Screw

Item	Part No.	Description
13	3S/4R.V2-13	Screw
14	FWM10.S	Flat Washer M10 Zinc
15	3S/4R.V2-15	Screw
16	3S/4R.V2-16	Linkage
17	3S/4R.V2-17	Screw
18	3S/4R.V2-18	Washer
19	3S/4R.V2-19	Nut
20	3S/6R.V2-20	Lower Blade
21	3S/4R.V2-21	5/16 unf Half Nut-Black
--	3S.6R.V2-12	Bolt M8x45 Fine Pitch (Not Shown)
--	3S.6R.V2-13	Bolt M8x44 (Not Shown)
--	3S.6R.V2-15	Bolt M8x47 (Not Shown)

NOTE: It is our policy to continually improve products and as such we reserve the right to alter data, specifications and component parts without prior notice. There may be alternative versions of this product, please contact us should you require this information.

IMPORTANT: No liability is accepted for incorrect use of product. Spare parts must be fitted by a competent person

WARRANTY: Guarantee is 12 months from purchase date, proof of which will be required for any claim.

Sealey Group, Kempson Way, Suffolk Business Park, Bury St Edmunds, Suffolk. IP32 7AR



01284 757500



sales@sealey.co.uk



www.sealey.co.uk