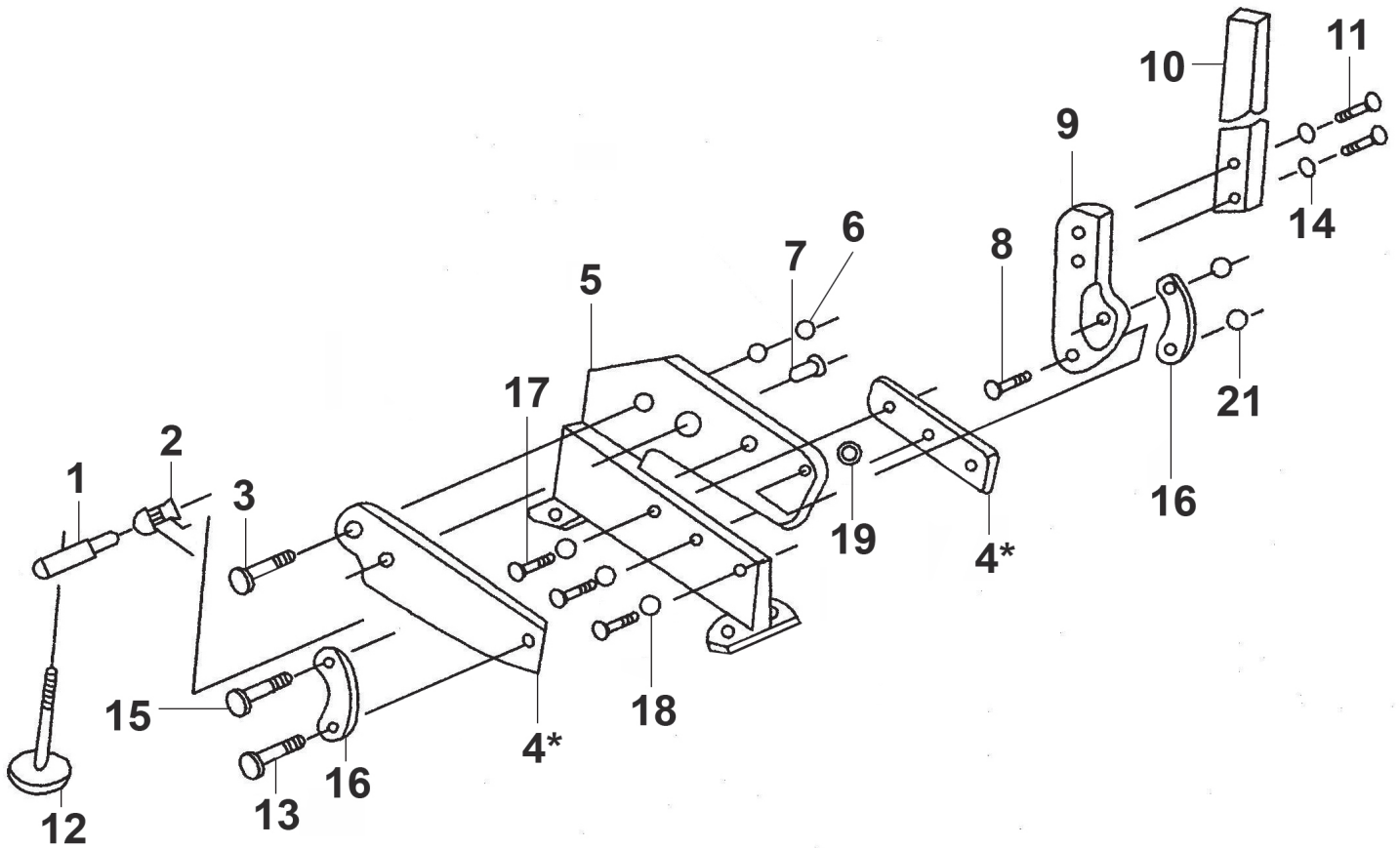




Parts Information:
Metal Cutting Shears
Model No: 3S/4R-V3, 3S/5R-V3,
3S/6R-V3



Item	Part No.	Description
1	3S.6R.V3-01	Shaft
2	3S.6R.V3-02	Spring 39.8mm
3	3S.6R.V3-03	Bolt
4*	3S.4R.V3-B	Upper & Lower Blade Set (for 3S/4R.V3 only)
--	3S.5R.V3-B	Upper & Lower Blade Set (for 3S/5R.V3 only)
--	3S.6R.V3-B	Upper & Lower Blade Set (for 3S/6R.V3 only)
5	3S.6R.V3-05	Body
6	3S.6R.V3-06	M14 x 1.50 Fine Pitch Half Nut Black
7	3S.6R.V3-11	Sleeve
8	3S.6R.V3-12	Screw
9	3S.6R.V3-07	Lever
10	3S.6R.V3-08	Handle

Item	Part No.	Description
11	SS1040.SB	Hex Head Set Screw M10 x 40 Black
12	3S.6R.V3-10	Disc
13	3S.6R.V3-13	Screw
14	FWM10.S	Flat Washer M10 Zinc
15	3S.6R.V3-15	Screw
16	3S.6R.V3-16	Rocker
17	SS1020.SB	Hex Head Set Screw M10 x 20 Black
18	3S.6R.V3-18	Washer
19	3S.6R.V3-19	Nut
21	3S.6R.V3-21	Nut 5/16 unf Lock Nut
--	3S.6R.V3-22	Handle Joint Assembly (not shown)

NOTE: It is our policy to continually improve products and as such we reserve the right to alter data, specifications and component parts without prior notice.

IMPORTANT: No liability is accepted for incorrect use of product. Spare parts must be fitted by a competent person

WARRANTY: Guarantee is 12 months from purchase date, proof of which will be required for any claim.

Sealey Group, Kempson Way, Suffolk Business Park, Bury St Edmunds, Suffolk. IP32 7AR



01284 757500



01284 703534



sales@sealey.co.uk



www.sealey.co.uk