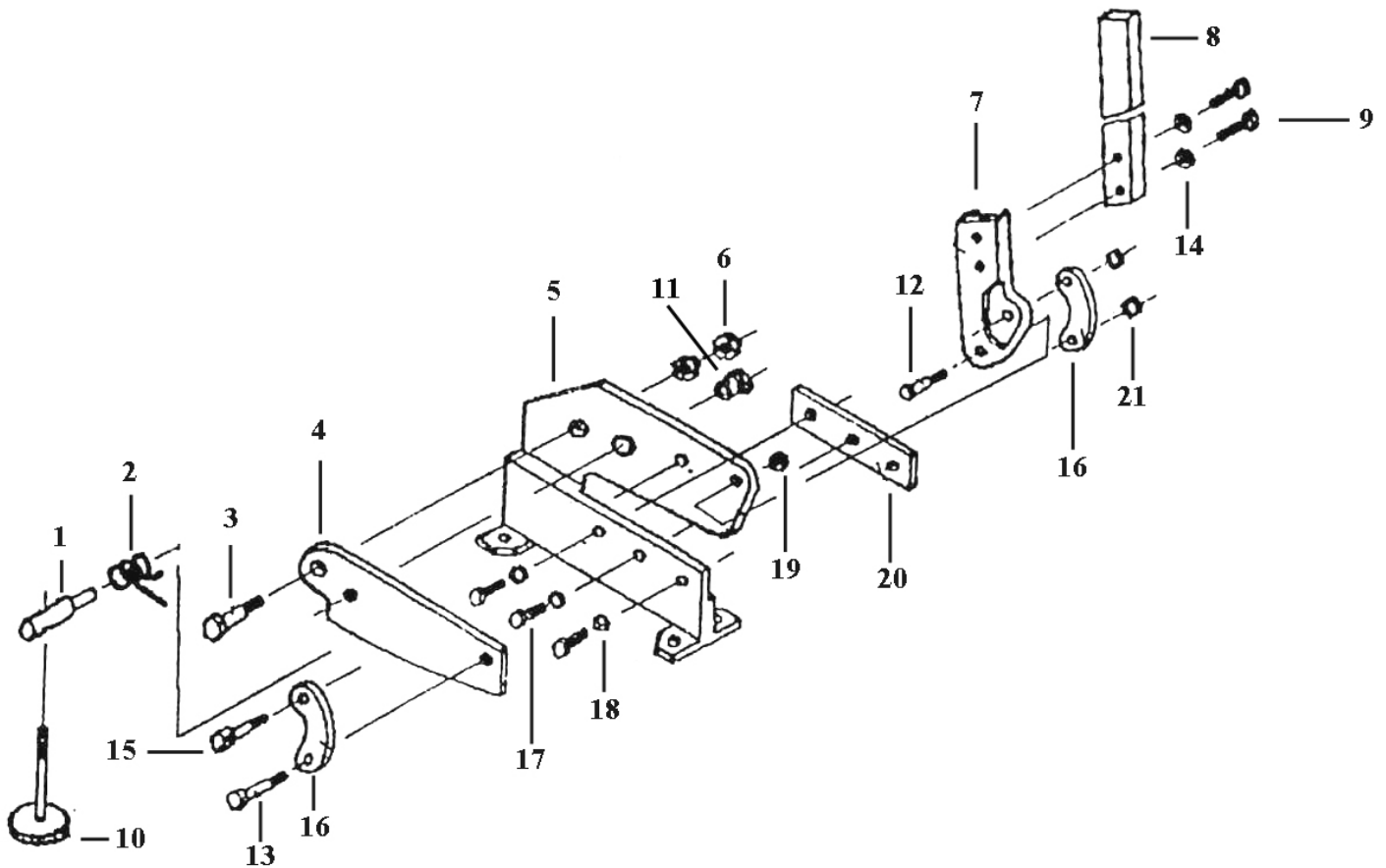




Parts Information:
Metal Cutting Shears 4mm Capacity 10mm Round
Model No: 3S/4R.V2



Item	Part No.	Description
1	3S/4RV2-01	Shaft
2	3S/4RV2-02	Spring
3	3S.6R.V2-03	Bolt M14x50
4	3S/4RV2-04	Upper Blade
5	3S/4RV2-05	Body
6	3S/4RV2-06	Nut
7	3S/4RV2-07	Lever
8	3S/4RV2-08	Handle
9	3S/4RV2-09	Screw
10	3S/4RV2-10	Disc (60mm Thread)
11	3S/4RV2-11	Sleeve

Item	Part No.	Description
12	3S/4RV2-12	Screw
13	3S/4RV2-13	Screw
14	FWM10.S	Flat Washer M10 Single
15	3S/4RV2-15	Screw
16	3S/4RV2-16	Linkage
17	3S/4RV2-17	Screw
18	3S/4RV2-18	Washer
19	3S/4RV2-19	Nut
20	3S/4RV2-20	Lower Blade
21	3S/4RV2-21	5/16 unf Half Nut Black

NOTE: It is our policy to continually improve products and as such we reserve the right to alter data, specifications and component parts without prior notice.

IMPORTANT: No liability is accepted for incorrect use of product.

WARRANTY: Guarantee is 12 months from purchase date, proof of which will be required for any claim.

Sealey Group, Kempson Way, Suffolk Business Park, Bury St Edmunds, Suffolk. IP32 7AR



01284 757500



01284 703534



sales@sealey.co.uk



www.sealey.co.uk