

Item	Part No.	Description
1	3290CX-V3-01	Lift Arm Assembly
2	3290CX.02	Jack Handle (Square) 13mm
3	3290CX.03	Handle Socket
4	3290CX.04	Handle Bolt M10x19
5	3290CX.05	Plunger Pin
6	3290CX-V3-06	Side Frame
7	SWM12.SB	Spring Washer M12 Black
8	SN12.S	Steel Nut M12 Zinc
9	3290CX.09	Socket Head Cap Screw M12x20
10	3290CX.10	Wheel, Swivel Castor, Single Bolt
11	3290CX.11	Stud
12	3290CX.12	Bolt, Left M18x37
13	3290CX.13	Lock Washer M18
14	3290CX.14	Split Lock Washer M34
15	3290CX.15	Return Spring Dia 16.7mm
16	3290CX.16	External Circlip 25.8mm ID

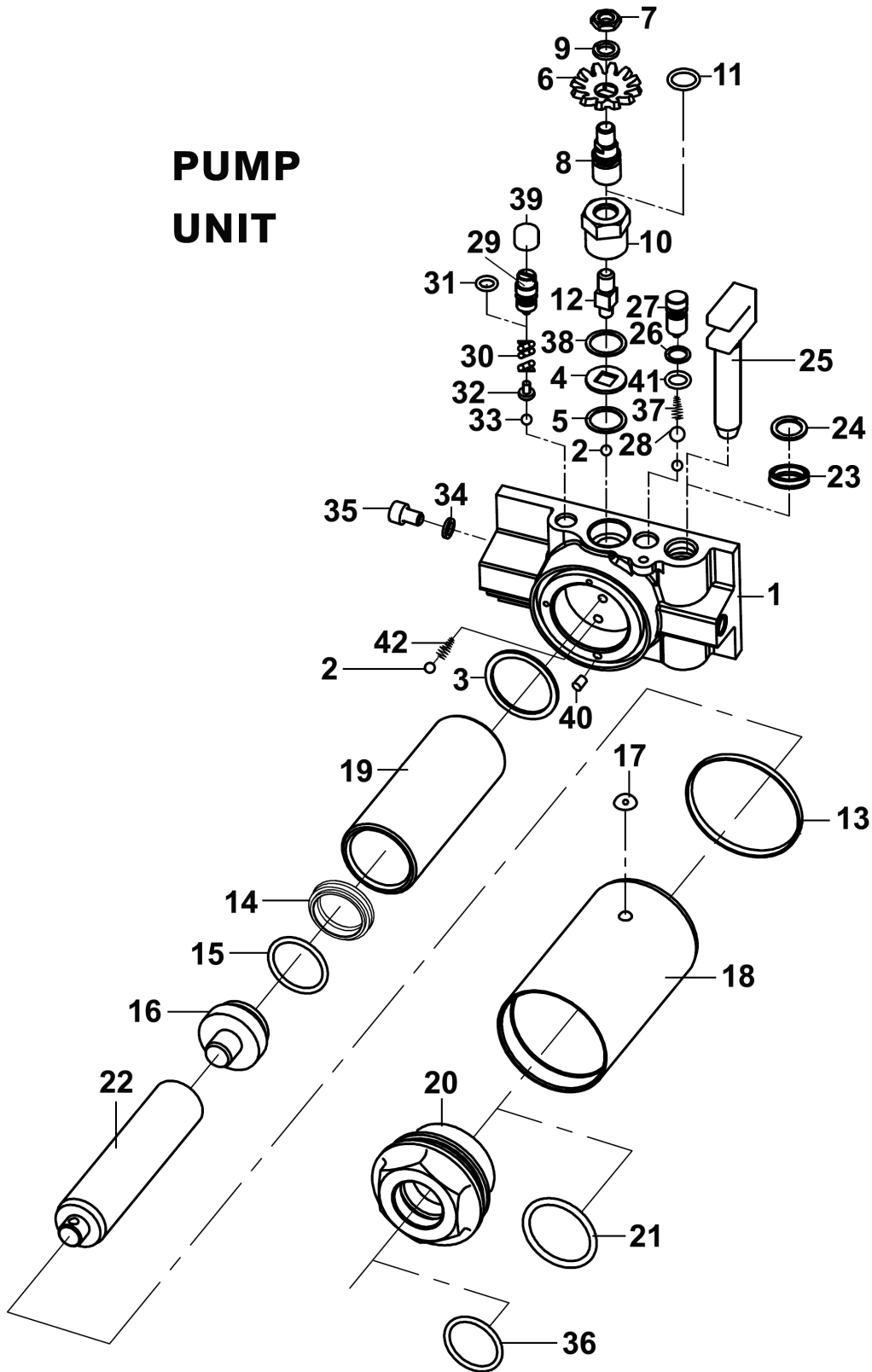
Item	Part No.	Description
17	3290CX.17	Arm Shaft
18	3290CX.18	Bolt Link
19	3290CX.19	Sealing Ring (25mm od x 16.5mm id x 0.6mm)
20	3290CX.20	Lock Washer M14
21	3290CX.21	Half Nut M16 BZP
22	3290CX.22	Saddle Shaft
23	3290CX.23	Saddle
24	3290CX.24	Power Unit Assembly
25	3290CX.25	Cotter Pin 4x45mm
26	3290CX.26	Retaining Ring
27	3290CX.27	Wheel, fixed (black) (D:65 W:40 B:20)
28	3290CX.28	External Circlip 17.4mm ID
29	3290CX.29	Return Spring Dia 15.3mm
30	3290CX.30	Block
31	3290CX.31	Bolt M18x58.5mm
--	3290CX.RK	Repair Kit (Not Shown)

NOTE: It is our policy to continually improve products and as such we reserve the right to alter data, specifications and component parts without prior notice. There may be alternative versions of this product, please contact us should you require this information.

IMPORTANT: No liability is accepted for incorrect use of product. Spare parts must be fitted by a competent person

WARRANTY: Guarantee is 12 months from purchase date, proof of which will be required for any claim.

PUMP UNIT



NOTE: It is our policy to continually improve products and as such we reserve the right to alter data, specifications and component parts without prior notice. There may be alternative versions of this product, please contact us should you require this information.

IMPORTANT: No liability is accepted for incorrect use of product. Spare parts must be fitted by a competent person

WARRANTY: Guarantee is 12 months from purchase date, proof of which will be required for any claim.



Parts Information:
Roadmaster Trolley Jack 3tonne
Model No: 3290CX.V3

Item	Part No.	Description
1	3290CX.P01	Base Plate
2	3290CX.P02	Steel Ball 6mm
3	3290CX.P03	Plastic Ring 46x26x1mm
4	3290CX.P04	Washer with Square Centre 22x11x2mm
5	3290CX.P05	Aluminium Washer 22x17x1mm
6	3290CX.P06	Gear
7	3290CX.P07	Lock Nut M10
8	3290CX.P08	Valve Connect
9	3290CX.P09	Washer M10
10	3290CX.P10	Valve nut
11	RJAS2500V2P43	O-Ring (Ex: 66.98 In: 59.92 Cs: 3.53)
12	3290CX.P12	Release Core
13	3290CX.P13	Seal Ring
14	3290CX.P14	Seal Ring
15	3290CX.P15	White Nylon Bowl Washer
16	3290CX.P22	Piston
17	3290CX.P17	Oil Filler Plug
18	3290CX.P18	Reservoir
19	3290CX.P19	Cylinder
20	3290CX.P20	Top Cap
21	3290CX.P21	O-Ring (Ex: 23.17 In: 15.70 Cs: 3.74)

Item	Part No.	Description
22	3290CX.P22	Piston Rod Ass'y
23	3290CX.P23	Plastic Ring
24	3290CX.P24	O-Ring (Ex: 23.79 In: 16.05 Cs: 3.87)
25	3290CX.P25	Plunger
26	3290CX.P26	Returning Ring
27	3290CX.P27	Release Valve Nut
28	3290CX.P28	Steel Ball 9mm
29	3290CX.P29	Safety Valve Nut
30	3290CX.P30	Safety Valve Spring Conical
31	MS156.05	O-ring (Ex: 35.23 In: 28.17 Cs: 3.53)
32	3290CX.P32	Spring Base
33	3290CX.P33	Steel Ball 3mm
34	3290CX.P34	Plastic Ring
35	3290CX.P35	Nut
36	SA695.13	O-Ring (Ex: 16.01 In: 10.77 Cs: 2.62)
37	3290CX.P37	Spring Conical
38	SWM8.S	Washer M8
39	3290CX.P39	Safety Valve Cover
40	3290CX.P40	Oil Filter Screen
41	WK025.V2-31	O-Ring (Ex: 14.43 In: 9.19 Cs: 2.62)
42	3290CX.V2-P42	Spring

NOTE: It is our policy to continually improve products and as such we reserve the right to alter data, specifications and component parts without prior notice. There may be alternative versions of this product, please contact us should you require this information.

IMPORTANT: No liability is accepted for incorrect use of product. Spare parts must be fitted by a competent person

WARRANTY: Guarantee is 12 months from purchase date, proof of which will be required for any claim.

Sealey Group, Kempson Way, Suffolk Business Park, Bury St Edmunds, Suffolk. IP32 7AR



01284 757500



01284 703534



sales@sealey.co.uk



www.sealey.co.uk