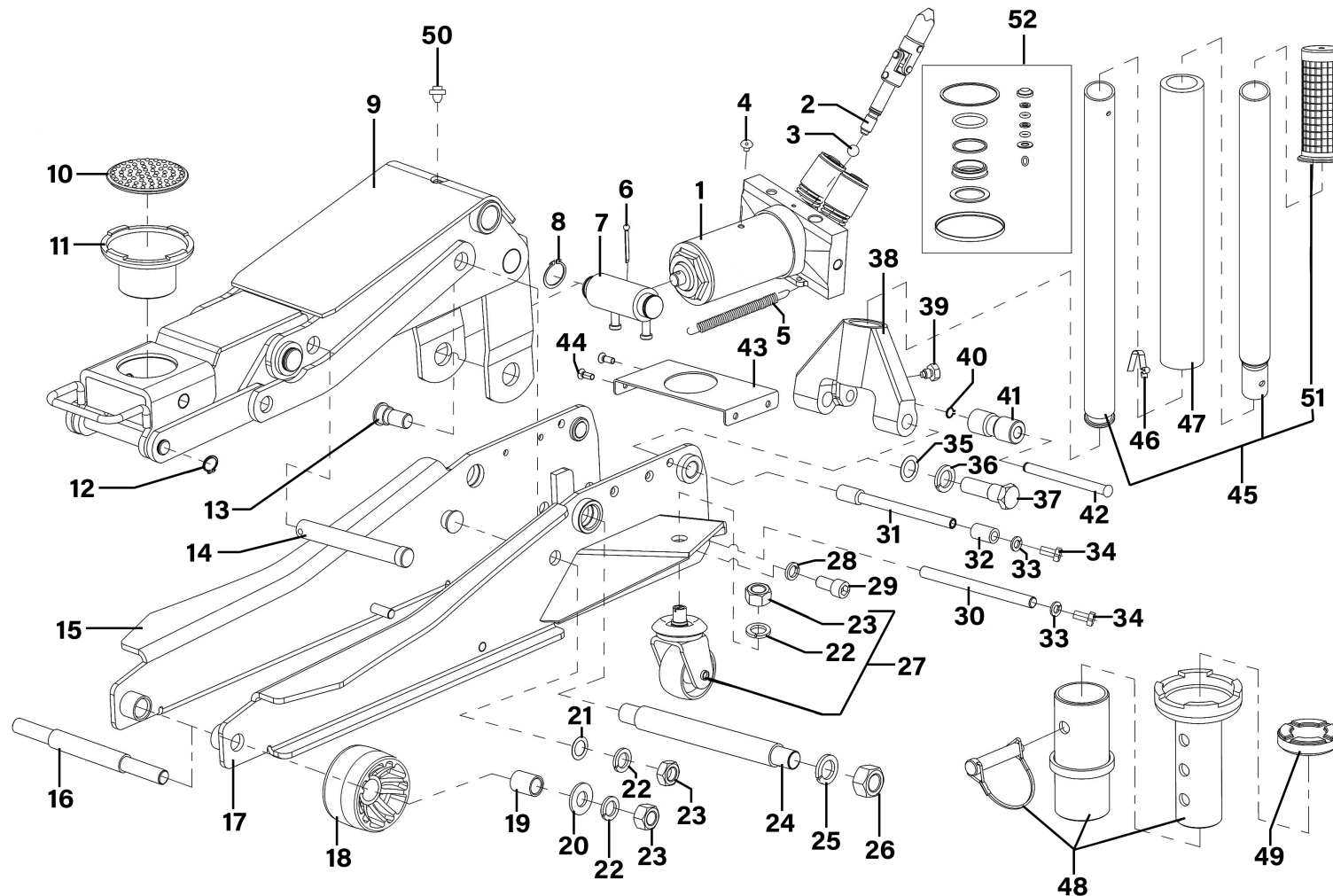




Parts Information:
Trolley Jack 2/3 Tonne Low Profile/High Lift with Rocket Lift
Model No: 3200LEHL



NOTE: It is our policy to continually improve products and as such we reserve the right to alter data, specifications and component parts without prior notice.

There may be alternative versions of this product, please contact us should you require this information.

IMPORTANT: No liability is accepted for incorrect use of product. Spare parts must be fitted by a competent person

WARRANTY: Guarantee is 12 months from purchase date, proof of which will be required for any claim.

Sealey Group, Kempson Way, Suffolk Business Park, Bury St Edmunds, Suffolk. IP32 7AR



01284 757500



sales@sealey.co.uk



www.sealey.co.uk



Parts Information:
Trolley Jack 2/3 Tonne Low Profile/High Lift with Rocket Lift
Model No: 3200LEHL

Item	Part No.	Description	Qty
1	3200LEHL-01	Hydraulic Unit Assembly	1
2	3200LEHL-02	Release Valve Assembly	1
3	SB-6.0	Steel Ball 6.0mm	1
4	3200LEHL-04	Oil Filler Plug	1
5	3200LEHL-05	Return Spring	2
6	3200LEHL-06	Split Pin Ø4 x 45mm	1
7	3200LEHL-07	Connecting Rod	1
8	3200LEHL-08	External Circlip Ø25mm	2
9	3200LEHL-09	Reinforced Lifting Arm Assembly	1
10	3200LEHL-10	Saddle Pad for 3200LEHL	1
11	3200LEHL-11	Saddle	1
12	3200LEHL-12	External Circlip Ø16mm	2
13	3200LEHL-13	Handle Socket Bolt	2
14	3200LEHL-14	Frame Rod Pin	1
15	3200LEHL-15	Side Frame, Right	1
16	3200LEHL-16	Front Wheel Shaft	1
17	3200LEHL-17	Side Frame, Left	1
18	3200LEHL-18	Front Wheel (Heavy-Duty)	2
19	3200LEHL-19	Front Wheel Bushing	2
20	FWM16.S	Flat Washer M16 Zinc	2
21	3200LEHL-21	Washer M16 (Thin)	2
22	SWM16.S	Spring Washer M16 Zinc	6
23	NLN16.S	Nyloc Nut M16 Zinc	6
24	3200LEHL-24	Support Shaft (Centre)	1
25	SWM20.S	Spring Washer M20 Zinc	2
26	NLN20.S	Nyloc Nut M20 Zinc	2
27	3200LEHL-27	Rear Castor Assembly (Heavy-Duty)	2

Item	Part No.	Description	Qty
28	SWM12.S	Spring Washer M12 Zinc	2
29	SCB1225.S	Socket Cap Bolt M12 x 25mm	2
30	3200LEHL-30	Rear Shaft	1
31	3200LEHL-31	Positioning Shaft	1
32	3200LEHL-32	Rubber Sleeve for Positioning Shaft	2
33	SWM8.S	Spring Washer M8 Zinc	4
34	MSP816.S	Machine Screw Pan Head Phillips M8 x 16mm	4
35	FWM18.S	Flat Washer M18 Zinc	2
36	SWM18.S	Spring Washer M18 Zinc	2
37	3200LEHL-37	Shoulder Bolt M18x54mm	2
38	3200LEHL-38	Handle Socket	1
39	3200LEHL-39	Handle Socket Bolt M10x19mm	1
40	3200LEHL-40	External Circlip Ø12mm	1
41	3200LEHL-41	Handle Socket Roller	1
42	3200LEHL-42	Handle Socket Pin	1
43	3200LEHL-43	Cover Plate	1
44	3200LEHL-44	Rubber Plug for Cover Plate	4
45	3200LEHL-45	Handle Assembly	1
46	3200LEHL-46	Handle Lock Button	1
47	3200LEHL-47	Handle Protection Foam	1
48	3200LEHL-48	Height Adjust Saddle Assembly	1
49	3200LEHL-49	Saddle Pad (for Height Adjust Saddle)	1
50	3200LEHL-50	Grease Nipple	1
51	3200LEHL-51	Handle Grip	1
52	3200LEHL-RK	Repair Kit for 3200LEHL	1

NOTE: It is our policy to continually improve products and as such we reserve the right to alter data, specifications and component parts without prior notice. There may be alternative versions of this product, please contact us should you require this information.

IMPORTANT: No liability is accepted for incorrect use of product. Spare parts must be fitted by a competent person

WARRANTY: Guarantee is 12 months from purchase date, proof of which will be required for any claim.

Sealey Group, Kempson Way, Suffolk Business Park, Bury St Edmunds, Suffolk. IP32 7AR



01284 757500



sales@sealey.co.uk



www.sealey.co.uk