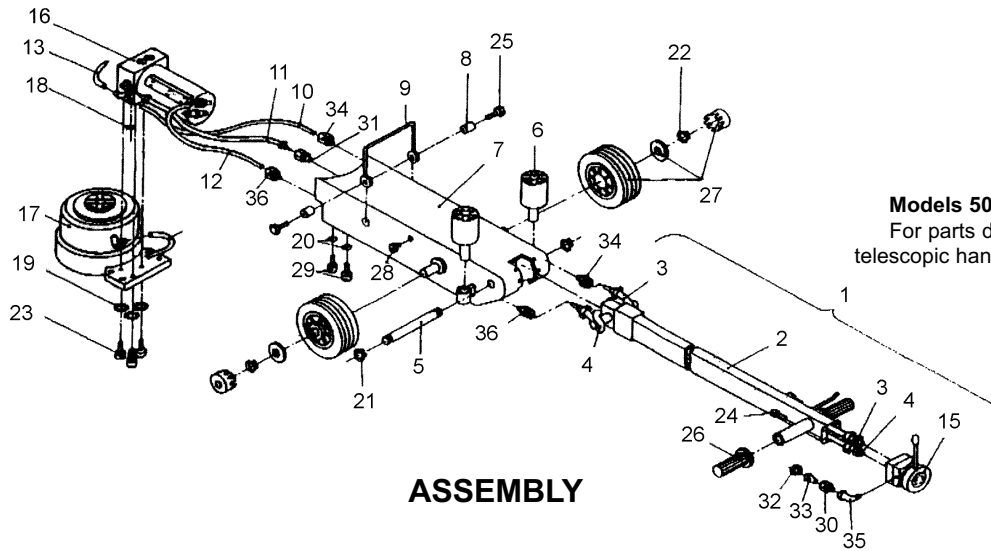


Note that part numbers apply to all models unless otherwise specified in the description.



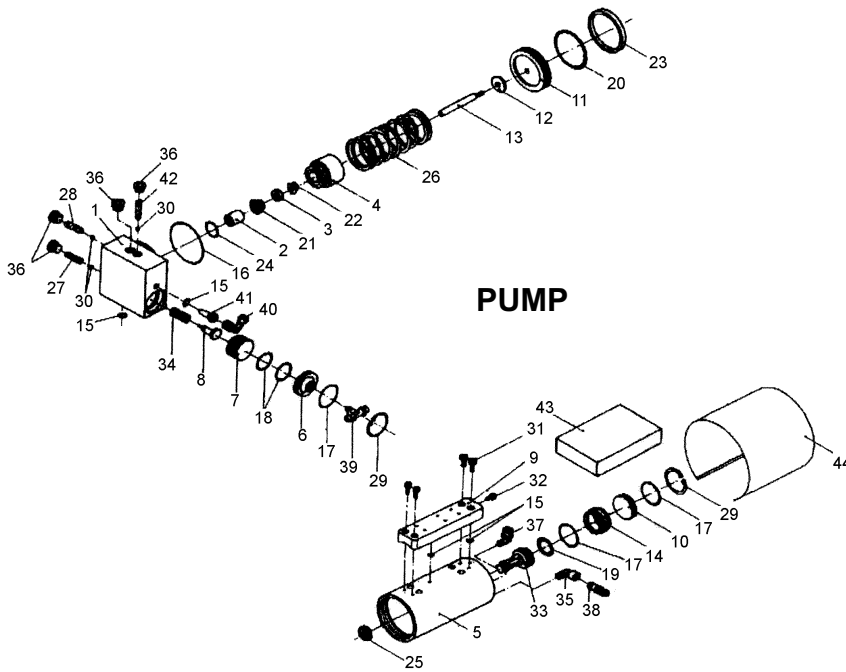
Models 50.20 & 50.30  
For parts details of the  
telescopic handle see page 2.

**ASSEMBLY**

Original Date: 260201  
Version No: 1  
Date Modified: 1st issue

**Assembly Parts List**

| Item | Part No.    | Description                       |
|------|-------------|-----------------------------------|
| 1    | 100/4400100 | Handle, Complete - 30.40          |
| 2    | 100/4400200 | Handle - 30.40                    |
| 3    | 100/4400300 | Hose c/w 6mm Connector- 30.40     |
| 4    | 100/4400400 | Hose c/w 8mm Connector- 30.40     |
| 5    | 100/4400500 | Axle, Handle                      |
| 6    | 100/4400600 | Extension                         |
| 7    | 100/4420700 | Frame - 30.40, 50.20              |
| 7    | 100/4400700 | Frame - 50.30                     |
| 8    | 100/4400800 | Bushing                           |
| 9    | 100/4400900 | Carrying Handle                   |
| 10   | 100/4401000 | Hose, 6mm                         |
| 11   | 100/4421100 | Oil Hose, 14mm - 30.40, 50.20     |
| 11   | 100/4401100 | Oil Hose, 14mm - 50.30            |
| 12   | 100/4401200 | Hose, 8mm                         |
| 13   | 100/4401300 | Hose, 6mm                         |
| 15   | 100/4200000 | Control Valve - 30.40             |
| 16   | 100/9072500 | Pump, Complete                    |
| 17   | 100/9074000 | Cylinder, Complete - 30.40, 50.20 |
| 17   | 100/9073000 | Cylinder, Complete - 50.30        |
| 18   | 100/0100000 | O-ring                            |
| 19   | 100/0210200 | Spring Washer                     |
| 20   | 100/0210300 | Spring Washer                     |
| 21   | 100/0220400 | Circlip                           |
| 22   | 100/0222200 | Circlip                           |
| 23   | 100/0230600 | Screw                             |
| 24   | 100/0232400 | Screw - 30.40                     |
| 25   | 100/0252000 | Screw                             |
| 26   | 100/0239000 | Handle - 30.40                    |
| 27   | 100/0251800 | Wheel, 150mm dia. - 50.30         |
| 27   | 100/0236700 | Wheel, 180mm dia. - 30.40, 50.20  |
| 28   | 100/0247000 | Filler Plug                       |
| 29   | 100/0248500 | Screw                             |
| 30   | 100/0249400 | Gland - 30.40                     |
| 31   | 100/0249800 | Gland                             |
| 32   | 100/0250600 | Gland - 30.40                     |
| 33   | 100/0251100 | Filter - 30.40                    |
| 34   | 100/0251200 | Quick Fitting                     |
| 35   | 100/0251500 | Elbow                             |
| 36   | 100/0251600 | Quick Fitting                     |



**PUMP**

**Pump Parts List**

| Item | Part No.    | Description            |
|------|-------------|------------------------|
| -    | 100/9072500 | Pump, Complete         |
| 1    | 100/9072600 | Pump Body              |
| 2    | 100/9070400 | Distance Sleeve        |
| 3    | 100/9070500 | Plunger Guide          |
| 4    | 100/9070700 | Packing Nut            |
| 5    | 100/9070900 | Air Cylinder           |
| 6    | 100/9025300 | Release Cover          |
| 7    | 100/9025400 | Release Piston         |
| 8    | 100/9025500 | Release Pin            |
| 9    | 100/9026400 | Exhaust Cap            |
| 10   | 100/9025700 | Cover, Change Valve    |
| 11   | 100/9025800 | Air Piston             |
| 12   | 100/9025900 | Washer                 |
| 13   | 100/9026000 | Plunger                |
| 14   | 100/9026500 | Cylinder, Change Valve |
| 15   | 100/0100000 | O-ring*                |

**Pump Parts List Continued**

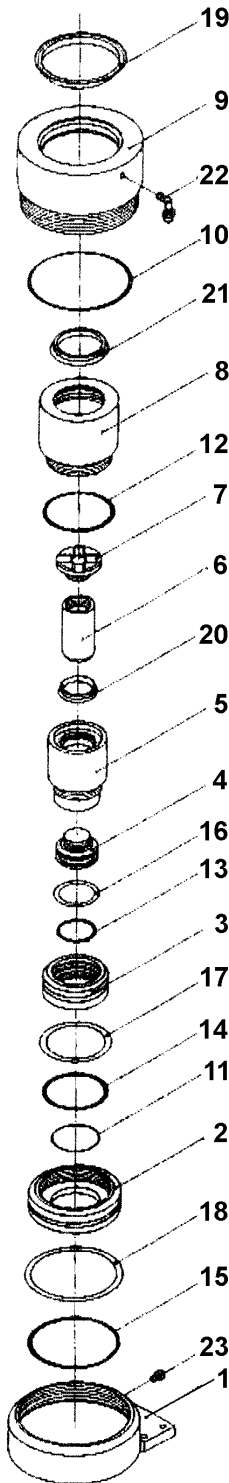
| Item | Part No.    | Description         |
|------|-------------|---------------------|
| 16   | 100/0100700 | O-ring*             |
| 17   | 100/0103400 | O-ring*             |
| 18   | 100/0104400 | O-ring*             |
| 19   | 100/0104500 | O-ring*             |
| 20   | 100/0104600 | O-ring*             |
| 21   | 100/0111400 | Seal*               |
| 22   | 100/0112600 | Seal*               |
| 23   | 100/0117500 | Seal, Glydring*     |
| 24   | 100/0124500 | Bondy-seal*         |
| 25   | 100/0116000 | Seal, Change Valve* |
| 26   | 100/0204700 | Spring              |
| 27   | 100/0204800 | Spring              |
| 28   | 100/0206700 | Spring              |
| 29   | 100/0222000 | Circlip             |
| 30   | 100/0229200 | Ball, 6.5mm dia.*   |
| 31   | 100/0234600 | Screw               |

**Pump Parts List Continued**

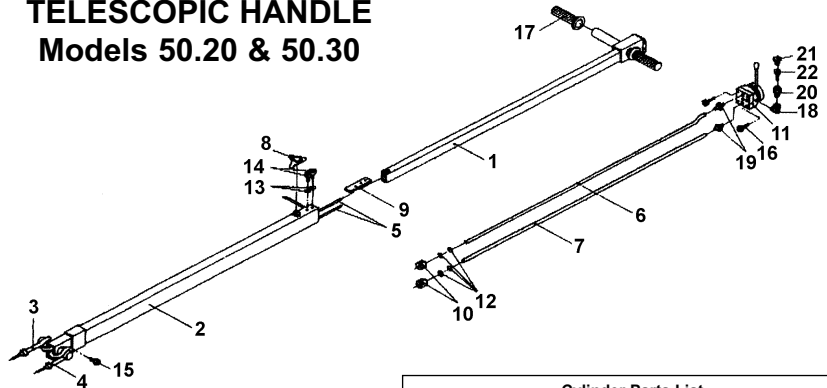
| Item | Part No.    | Description                 |
|------|-------------|-----------------------------|
| 32   | 100/0230700 | Screw                       |
| 33   | 100/0238500 | Change Valve                |
| 34   | 100/0204600 | Spring                      |
| 35   | 100/0242500 | Gland                       |
| 36   | 100/0248300 | Plug                        |
| 37   | 100/0249500 | Gland                       |
| 38   | 100/0250300 | Safety Valve                |
| 39   | 100/0250500 | T-gland                     |
| 40   | 100/0251000 | Gland                       |
| 41   | 100/0251100 | Filter*                     |
| 42   | 100/0206800 | Spring                      |
| 43   | 100/4401500 | Sound Absorbing Mat'l       |
| 44   | 100/9081400 | Sound Hood                  |
| *    | 100/0903200 | Repair Kit (Items marked *) |

Note that part numbers apply to all models unless otherwise specified in the description.

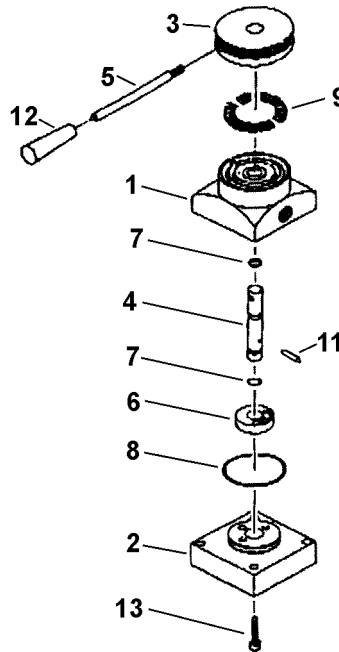
**CYLINDER**



**TELESCOPIC HANDLE**  
Models 50.20 & 50.30



**CONTROL VALVE**



**Cylinder Parts List**

| Item | Part No.    | Description                      |
|------|-------------|----------------------------------|
| -    | 100/9074000 | Cylinder Complete - 30.40, 50.20 |
| -    | 100/9073000 | Cylinder Complete - 50.30        |
| 1    | 100/9073100 | Cylinder Bottom                  |
| 2    | 100/9073200 | Piston                           |
| 3    | 100/9073300 | Piston                           |
| 4    | 100/9073400 | Piston - 50.30                   |
| 5    | 100/9073500 | Middle Cylinder, Small - 50.30   |
| 6    | 100/9074100 | Piston Rod - 30.40, 50.20        |
| 6    | 100/9073600 | Piston Rod - 50.30               |
| 7    | 100/9073700 | Saddle                           |
| 8    | 100/9074200 | Middle Cylinder - 30.40, 50.20   |
| 8    | 100/9073800 | Middle Cylinder, Big - 50.30     |
| 9    | 100/9074300 | Main Cylinder - 30.40, 50.20     |
| 9    | 100/9073900 | Main Cylinder - 50.30            |
| 10   | 100/0102200 | O-ring*                          |
| 11   | 100/0103100 | O-ring*                          |
| 12   | 100/0104200 | O-ring*                          |
| 13   | 100/0108000 | O-ring* - 50.30                  |
| 14   | 100/0108100 | O-ring*                          |
| 15   | 100/0108200 | O-ring*                          |
| 16   | 100/0115200 | Back-up Ring* - 50.30            |
| 17   | 100/0115300 | Back-up Ring*                    |
| 18   | 100/0115400 | Back-up Ring*                    |
| 19   | 100/0127800 | Scraper Ring*                    |
| 20   | 100/0128200 | Scraper Ring* - 50.30            |
| 21   | 100/0128700 | Scraper Ring*                    |
| 22   | 100/0249300 | Gland                            |
| 23   | 100/0258400 | Plug                             |
| *    | 100/0903400 | Repair Kit (Items marked *)      |

**Control Valve Parts List**

| Item | Part No.    | Description       |
|------|-------------|-------------------|
| -    | 100/4200000 | Valve, Complete   |
| 1    | 100/4200100 | Valve, Upper Part |
| 2    | 100/4200200 | Valve, Lower Part |
| 3    | 100/4200300 | Twist Grip        |
| 4    | 100/4200400 | Valve Stem        |
| 5    | 100/4200500 | Rod, Handle       |
| 6    | 100/4200600 | Slide Valve       |
| 7    | 100/0105700 | O-ring            |
| 8    | 100/0105800 | O-ring            |
| 9    | 100/0206400 | Spring            |
| 11   | 100/0227700 | Pin, 3mm dia.     |
| 12   | 100/0208600 | Handle, Plastic   |
| 13   | 100/0230200 | Screw             |

**Telescopic Handle**

| Item | Part No.    | Description                |
|------|-------------|----------------------------|
| -    | 100/4410100 | Telescopic Handle Complete |
| 1    | 100/4410200 | Extension Handle           |
| 2    | 100/4410300 | Fixed Handle               |
| 3    | 100/4410400 | Hose, c/w 6mm Connector.   |
| 4    | 100/4410500 | Hose, c/w 8mm Connector    |
| 5    | 100/4410600 | Telescopic Pipe, 8mm dia.  |
| 6    | 100/4410700 | Telescopic Pipe, 12mm dia. |
| 7    | 100/4410800 | Telescopic Pipe, 12mm dia. |
| 8    | 100/4410900 | Locking Hand Grip          |
| 9    | 100/4001400 | Locking Hinged Joint       |
| 10   | 100/4002100 | Union Nut                  |
| 11   | 100/4200000 | Control Valve              |
| 12   | 100/0105600 | O-ring                     |
| 13   | 100/0211100 | Spring Washer              |
| 14   | 100/0230700 | Screw                      |
| 15   | 100/0231500 | Screw                      |
| 16   | 100/0232400 | Screw                      |
| 17   | 100/0239000 | Handle                     |
| 18   | 100/0251500 | Gland                      |
| 19   | 100/0242300 | Gland                      |
| 20   | 100/0249400 | Gland                      |
| 21   | 100/0250600 | Gland                      |
| 22   | 100/0251100 | Filter                     |

Original Date: 260201  
Version No: 1  
Date Modified: 1st issue