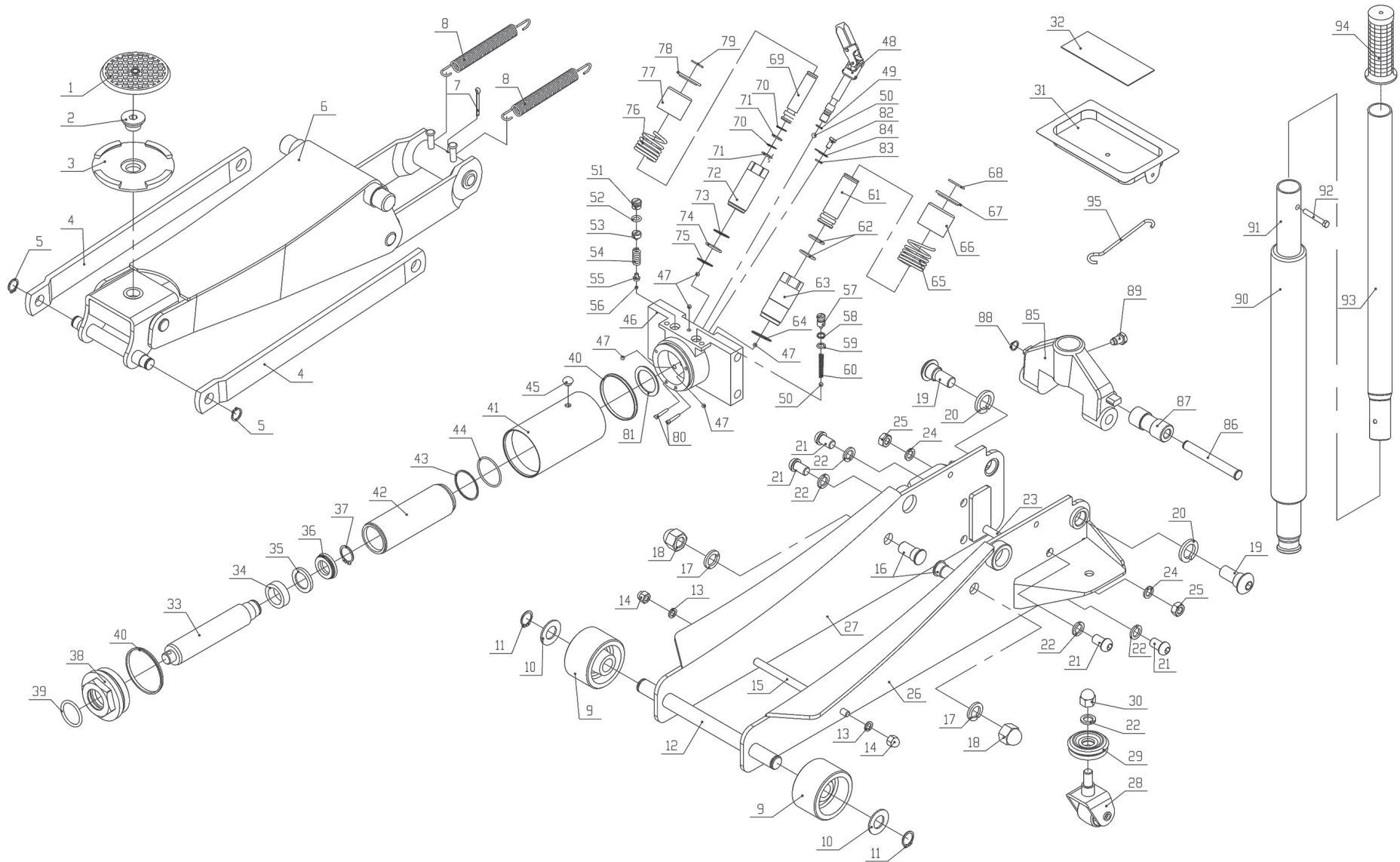




Parts Information: Trolley Jack 3tonne Rocket Lift Model No: 3040 SERIES



Sealey Group, Kempson Way, Suffolk Business Park, Bury St Edmunds, Suffolk. IP32 7AR



01284 757500



01284 703534



sales@sealey.co.uk



www.sealey.co.uk



Parts Information: Trolley Jack 3tonne Rocket Lift Model No: 3040 SERIES

Item	Part No.	Description
1	4040A.01	Saddle Pad
2	4040A.02	Saddle Pin
3	4040A.03	Saddle
4	4040A.04	Radius Link
5	4040A.05	Snap Ring
6	3040AB.06	Lifting Arm Assembly 'Black' (3040AB only)
6	3040AG.06	Lifting Arm Assembly 'Green' (3040AG only)
6	3040AO.06	Lifting Arm Assembly 'Orange' (3040AO only)
6	3040AR.06	Lifting Arm Assembly 'Red' (3040AR only)
6	3040AY.06	Lifting Arm Assembly 'Yellow' (3040AY only)
7	4040A.07	Split Pin
8	4040A.08	Return Spring
9	3040AB.09	Front Wheel 'Black' (3040AB only)
9	3040AG.09	Front Wheel 'Green' (3040AG only)
9	3040AO.09	Front Wheel 'Orange' (3040AO only)
9	3040AR.09	Front Wheel 'Red' Assembly (3040AR only)
9	3040AY.09	Front Wheel 'Yellow' (3040AY only)
10	3040A.10	Sealing Ring
11	3040A.11	Ext Circlip 20.2mm OD.
12	3040A.12	Front Axle
13	3040A.13	Lock Washer
14	3040A.14	Domed Nut
15	3040A.15	Frame Rod
16	4040A.15	Radius Link Stud
17	4040A.16	Lock Washer
18	4040A.17	Domed Nut
19	3040A.29	Button Head Socket Screw
20	4040A.19	Lock Washer
21	4040A.20	Button Head Socket Screw
22	SWM12.S	Spring Washer M12 Zinc (single)
23	3040A.30	Frame Rod
24	4040A.88	Lock Washer
25	3040A.27	Nut
26	3040A.22	Side Frame, Right
27	3040A.21	Side Frame, Left
28	4040AB.26	Castor Wheel Assembly 'Black' (3040AB only)
28	4040AG.26	Castor Wheel Assembly 'Green' (3040AG only)
28	4040AO.26	Castor Wheel Assembly 'Orange' (3040AO only)
28	4040AR.26	Castor Wheel Assembly 'Red'
28	4040AY.26	Castor Wheel Assembly 'Yellow' (3040AY only)
29	4040A.27	Bearing Race Assembly
30	4040A.28	Domed Nut
31	3040A.31	Tool Tray c/w Part 32

Item	Part No.	Description
32	4040A.30	Magnetic Rubber Pad
33	3040A.33	Ram Plunger Assembly
34	3040A.34	Bushing Cover
35	3040A.35	Back-Up Washer
36	3040A.36	U-Cup Seal
37	3040A.37	Retaining Ring
38	3040A.38	Top Nut
39	3040A.39	O-Ring
40	3040A.40	Sealing Ring
41	3040A.41	Reservoir
42	3040A.42	Cylinder
43	3040A.43	Back-Up Washer
44	3040A.44	O-Ring
45	4040A.43	Oil Filler Plug
46	3040A.46	Base Plate
47	4040A.45	Steel Ball
48	3040A.48	Release Valve Assembly
49	4040A.48	O-Ring
50	4040A.49	Steel Ball
51	4040A.50	Guide Screw
52	4040A.51	O-Ring
53	4040A.52	Safety Valve Screw
54	4040A.53	Valve Spring
55	4040A.54	Valve
56	4040A.55	Steel Ball
57	4040A.56	Bolt
58	4040A.57	Back-Up Washer
59	4040A.58	O-Ring
60	4040A.59	Spring
61	4040A.60	Pump Piston (Large)
62	4040A.61	O-Ring (Piston Pump 'Large')
63	4040A.62	Pump Cylinder (Large)
64	4040A.63	Washer (Pump Cylinder 'Large')
65	3040A.65	Spring (Pump Core 'Large')
66	4040A.65	Pump Core (Large)
67	3040A.67	Spring Cover Plate
68	4040A.67	Snap Ring
69	4040A.68	Pump Piston (Small)
70	4040A.69	Back-Up Washer
71	4040A.70	O-Ring (Pump Piston 'Small')
72	4040A.71	Pump Cylinder (Small)
73	4040A.72	Back-Up Washer
74	4040A.73	O-Ring (Pump Cylinder 'Small')
75	4040A.74	Washer (Pump Cylinder 'Small')

NOTE: It is our policy to continually improve products and as such we reserve the right to alter data, specifications and component parts without prior notice.

IMPORTANT: No liability is accepted for incorrect use of product.

WARRANTY: Guarantee is 12 months from purchase date, proof of which will be required for any claim.

Sealey Group, Kempson Way, Suffolk Business Park, Bury St Edmunds, Suffolk. IP32 7AR



01284 757500



01284 703534



sales@sealey.co.uk



www.sealey.co.uk



Parts Information:
Trolley Jack 3tonne Rocket Lift
Model No: 3040 SERIES

Item	Part No.	Description
76	4040A.75	Spring (Pump Core 'Small')
77	4040A.76	Pump Core (Small)
78	4040A.77	Spring Cover Plate (Small)
79	4040A.78	Snap Ring
80	4040A.79	Strainer
81	3040A.81	Washer
82	4040A.80	Bolt
83	4040A.81	Lock Washer
84	3040A.84	Washer
85	4040A.83	Handle Socket
86	4040A.84	Handle Socket Pin
87	4040A.85	Handle Socket Roller

Item	Part No.	Description
88	4040A.86	Snap Ring
89	4040A.87	Handle Socket Bolt
90	4040A.92	Handle Sleeve
91	4040A.89	Lower Handle c/w Part 92
92	4040A.90	Handle Screw
93	4040A.91	Upper Handle c/w Part 93
94	4040A.93	Handle Grip
95	4040A.94	Hook
--	3040A.HU	Hydraulic Unit Complete
--	3040A.RK	Repair Kit

NOTE: It is our policy to continually improve products and as such we reserve the right to alter data, specifications and component parts without prior notice.

IMPORTANT: No liability is accepted for incorrect use of product.

WARRANTY: Guarantee is 12 months from purchase date, proof of which will be required for any claim.

Sealey Group, Kempson Way, Suffolk Business Park, Bury St Edmunds, Suffolk. IP32 7AR



01284 757500



01284 703534



sales@sealey.co.uk



www.sealey.co.uk