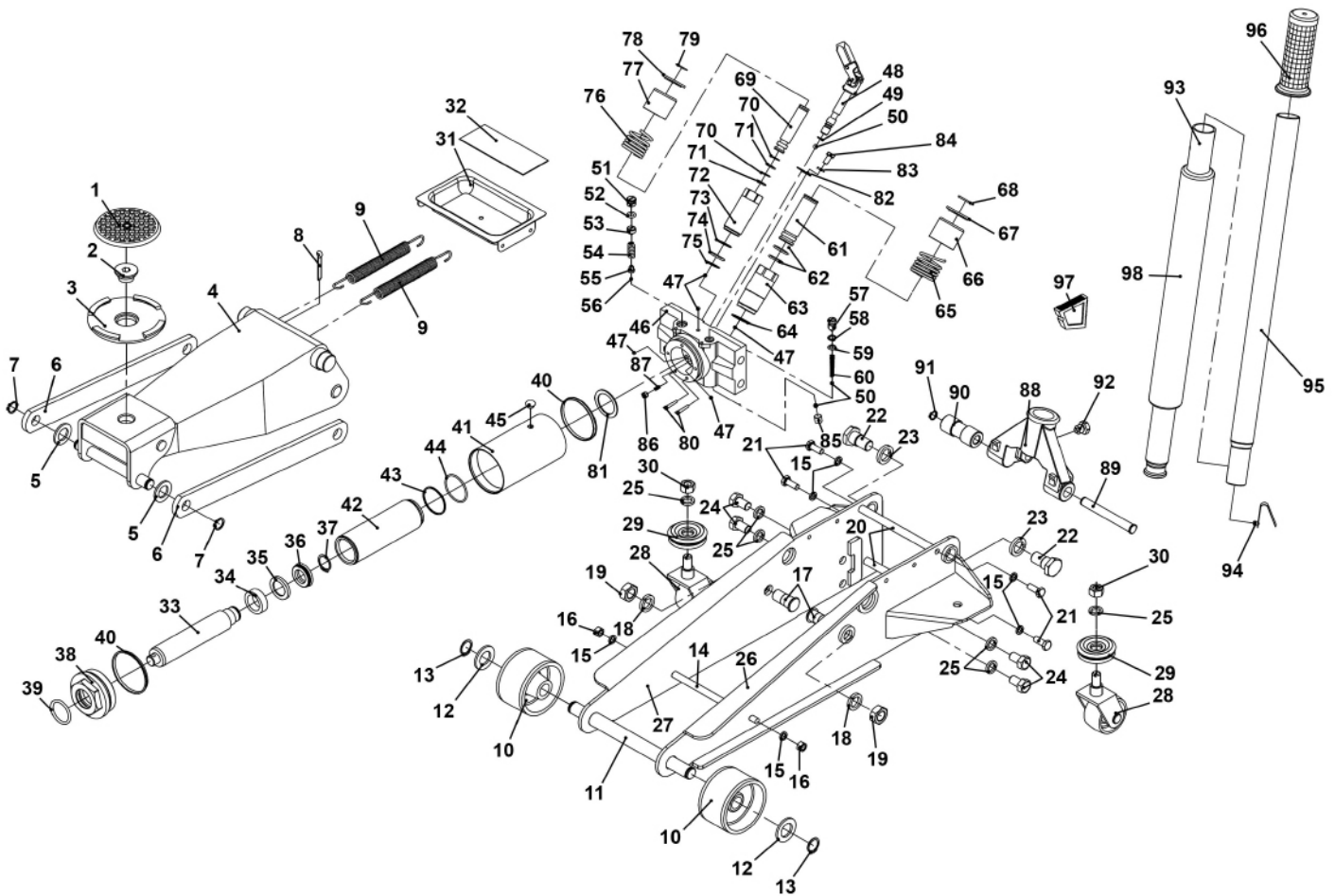




Parts Information:  
**Trolley Jack 3 Tonne with Super Rocket Lift  
 & Axle Stands (Pair) 3 Tonne Capacity per  
 Stand-Hi-Vis**  
**Model No: 3015CXHV.V2**



Item	Part No.	Description	Qty
1	JP17	Safety Rubber Jack Pad - Type B	1
2	4040A.02	Saddle Bolt	1
3	SQ0020	Saddle, White Serrated, Stepped (F) Ø 110mm	1
4	SQ0163	Lift Arm Assembly (Hi-Vis)	1
5	SQ0006	Washer for Lifting Frame	2
6	SQ0162	Radius Link	2
7	SQ0027	External Circlip 16.0mm ID.	2
8	SQ0200	Cotter Pin	1
9	SQ0185	Return Spring Dia 16mm	2
10	SQ0164	Wheel, Fixed Front (D:80 W: 50 B: 18)	2
11	SQ0166	Front Axle	1
12	FWM18.S	Flat Washer M18 Zinc	2
13	SQ0035	Retaining Ring 18mm	2
14	SQ0168	Frame Tie Rod	1
15	SQ0017	Spring Washer	6

Item	Part No.	Description	Qty
16	SQ0391	Domed Nut	2
17	SQ0189	Radius Link Stud	2
18	SWM16.S	Spring Washer M16 Zinc	2
19	SQ0109	Steel Nut	2
20	SQ0190	Frame Tie Rod	2
21	SQ0147	Hex Head Set Screw	4
22	SQ0205	Handle Sleeve Bolt	2
23	SWM18.S	Spring Washer M18 Zinc	2
24	SQ0092	Bolt (M12x1.25x20)	4
25	SWM12.S	Spring Washer M12 Zinc	6
26	SQ0214	Frame, Left Side	1
27	SQ0383	Frame, Right Side	1
28	SQ0094	Rear Castor Assembly	2
29	4040A.27	Bearing Race Assembly	2
30	SN12.S	Steel Nut M12 Zinc	2

**NOTE:** It is our policy to continually improve products and as such we reserve the right to alter data, specifications and component parts without prior notice. There may be alternative versions of this product, please contact us should you require this information.

**IMPORTANT:** No liability is accepted for incorrect use of product. Spare parts must be fitted by a competent person

**WARRANTY:** Guarantee is 12 months from purchase date, proof of which will be required for any claim.

Sealey Group, Kempson Way, Suffolk Business Park, Bury St Edmunds, Suffolk. IP32 7AR



01284 757500



sales@sealey.co.uk



www.sealey.co.uk



Parts Information:  
**Trolley Jack 3 Tonne with Super Rocket Lift  
 & Axle Stands (Pair) 3 Tonne Capacity per  
 Stand-Hi-Vis**  
**Model No: 3015CXHV.V2**

Item	Part No.	Description	Qty
31	SQ0192	Tool Tray	1
32	SQ0146	Rubber Pad (Magnetic)	1
33	SQ0195	Ram Plunger	1
34	SQ0196	Bushing Cover	1
35	SQ0197	Back-up Washer	1
36	SQ0198	U-Cup Seal	1
37	SQ0032	External Circlip 20.5mm ID.	1
38	SQ0199	Top Nut	1
39	RE91/10.07	O-ring, (Ex: 36.81 In: 29.75 Cs: 3.53)	1
40	SQ0202	Wedge Ring	2
41	SQ0201	Reservoir	1
42	SQ0203	Cylinder	1
43	SQ0204	Back-up Washer	1
44	AK453X.V3-P49	O-Ring, (Ex: 46.18 In: 40.94 Cs: 2.62)	1
45	1020LE.V3-34	Oil Seal	1
46	SQ0169	Base	1
47	SQ0042	Steel Ball	5
48	SQ0233	Release Valve Assembly	1
49	GSA08.09-4	O-ring, (Ex: 11.21 In: 7.65 Cs: 1.78)	1
50	SQ0385	Steel Ball	3
51	SQ0113	Guard Screw	1
52	SQ0114	O-Ring, (Ex: 12.80 In: 8.08 Cs: 2.36)	1
53	SQ0115	Safety Valve Screw	1
54	SQ0116	Safety Valve Spring Dia 10.2mm	1
55	SQ0118	Ball Seat Valve	1
56	SQ0041	Steel Ball	1
57	SQ0384	Valve Screw	1
58	SQ0110	Back-up Washer	1
59	GSA08.09-4	O-Ring, (Ex: 11.21 In: 7.65 Cs: 1.78)	1
60	SQ0207	Taper Spring Dia 8.4mm	1
61	SQ0226	Pump Piston (Large)	1
62	SA29.V3-41	O-Ring, (Ex: 22.36 In: 17.12 Cs: 2.62)	2
63	SQ0229	Pump Cylinder (Large)	1
64	SQ0230	Copper Washer (28 x14 x 0.7)	1
65	SQ0223	Pump Core Spring (B) Dia 37.4mm	1
66	SQ0222	Spring Sleeve (B)	1

Item	Part No.	Description	Qty
67	SQ0221	Spring Stop Plate (B)	1
68	SQ0220	Spring Stop Plate Ring (B)	1
69	SQ0212	Pump Piston (A)	1
70	SQ0213	Back-up Washer (for Pump 'A')	2
71	SA695.13	O-Ring, (Ex: 16.01 In: 10.77 Cs: 2.62)	2
72	SQ0215	Pump 'A'	1
73	SQ0216	Back-up Washer	1
74	SQ0217	O-Ring, (Ex: 26.24 In: 21.44 Cs: 2.40)	1
75	SQ0218	Copper Washer (Ø25 x Ø10 x T0.7)	1
76	SQ0211	Pump Core Spring (A) Dia 33.5mm	1
77	SQ0210	Spring Sleeve (A)	1
78	SQ0209	Spring Stop Plate (A)	1
79	SQ0208	Spring Stop Plate Ring (A)	1
80	SQ0121	Filter	2
81	SQ0206	Flat Washer (Ø43 x Ø27 x 1.5)	1
82	SQ0149	Flat Washer (26 x 17 x T3)	1
83	SQ0016	Spring Washer	1
84	SQ0002	Bolt	1
85	SQ0107	Screw Cap	1
86	SQ0386	Throttle Valve	1
87	SQ0249	Spring	1
88	SQ0234	Handle Socket	1
89	SQ0235	Handle Socket Pin	1
90	SQ0236	Handle Socket Roller	1
91	SQ0024	External Circlip 12.0mm ID..	1
92	4040A.87N	Handle Socket Bolt	1
93	SQ0387	Upper Handle	1
94	SQ0160	Handle Lock Button	1
95	SQ0388	Lower Handle	1
96	SQ0128	Handle Grip	1
97	SQ0354	Handle Locking Block	1
98	SQ0132	Handle Sleeve	1
--	SQ0389	Hydraulic Unit for 3015CXHV.V2 (Not Shown)	1
--	SQ0390	Repair Kit for 3015CXHV.V2 (Not Shown)	1

**NOTE:** It is our policy to continually improve products and as such we reserve the right to alter data, specifications and component parts without prior notice. There may be alternative versions of this product, please contact us should you require this information.

**IMPORTANT:** No liability is accepted for incorrect use of product. Spare parts must be fitted by a competent person

**WARRANTY:** Guarantee is 12 months from purchase date, proof of which will be required for any claim.

Sealey Group, Kempson Way, Suffolk Business Park, Bury St Edmunds, Suffolk. IP32 7AR



01284 757500



sales@sealey.co.uk



www.sealey.co.uk