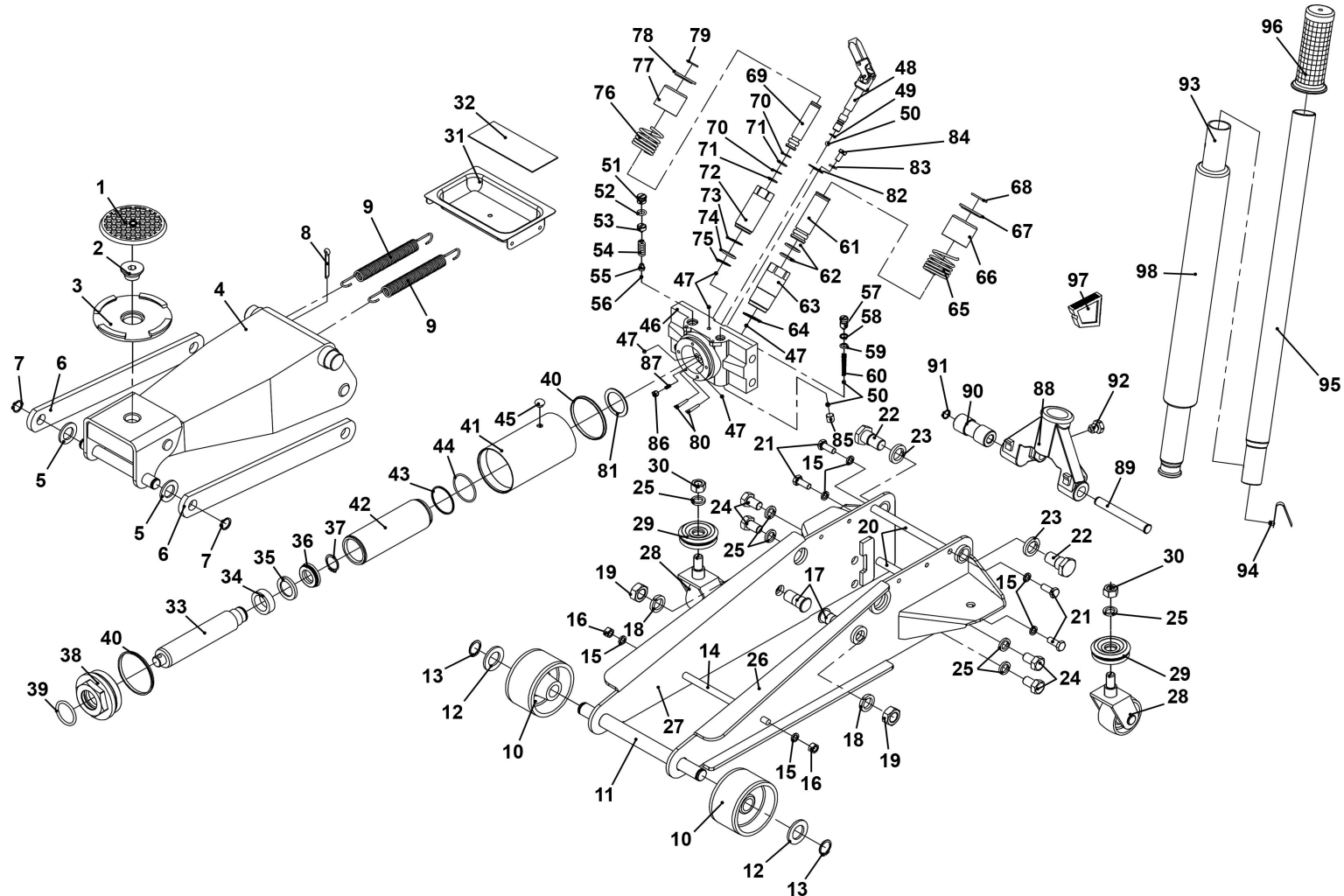




Parts Information:
Trolley Jack 3tonne Super Rocket Lift & Axle Stands (Pair) 3tonne Capacity
per Stand-Hi-Vis
Model No: 3015CXHV.V2



NOTE: It is our policy to continually improve products and as such we reserve the right to alter data, specifications and component parts without prior notice.

There may be alternative versions of this product, please contact us should you require this information.

IMPORTANT: No liability is accepted for incorrect use of product. Spare parts must be fitted by a competent person

WARRANTY: Guarantee is 12 months from purchase date, proof of which will be required for any claim.

Sealey Group, Kempson Way, Suffolk Business Park, Bury St Edmunds, Suffolk. IP32 7AR



01284 757500



01284 703534



sales@sealey.co.uk



www.sealey.co.uk



Parts Information:
Trolley Jack 3tonne Super Rocket Lift & Axle Stands (Pair) 3tonne Capacity per Stand-Hi-Vis
Model No: 3015CXHV.V2

Item	Part No.	Description
1	JPI7	Safety Rubber Jack Pad - Type B
2	SQ0242	Saddle Bolt
3	SQ0020	Saddle
4	SQ0163	Lift Arm Assembly (Hi-Vis)
5	SQ0006	Washer for Lifting Frame
6	SQ0162	Radius Link
7	SQ0027	External Circlip 16.0mm ID.
8	SQ0200	Cotter Pin
9	SQ0185	Return Spring Dia 16mm
10	SQ0164	Front Wheel
11	SQ0166	Front Axle
12	FWM18.S	Flat Washer M18 Zinc
13	SQ0035	Retaining Ring 18mm
14	SQ0168	Frame Tie Rod
15	SQ0017	Spring Washer
16	SQ0020	Domed Nut
17	SQ0189	Radius Link Stud
18	SWM16.S	Spring Washer M16 Zinc
19	SQ0109	Steel Nut
20	SQ0190	Frame Tie Rod
21	SQ0147	Hex Head Set Screw
22	SQ0205	Handle Sleeve Bolt
23	SWM18.S	Spring Washer M18 Zinc
24	SQ0092	Bolt (M12x1.25x20)
25	SWM12.S	Spring Washer M12 Zinc
26	SQ0214	Frame, Left Side
27	SQ0383	Frame, Right Side
28	SQ0094	Rear Castor Assembly
29	SQ0093	Roller Bearing Assembly
30	SN12.S	Steel Nut M12 Zinc
31	SQ0192	Tool Tray
32	SQ0146	Rubber Pad (Magnetic)
33	SQ0195	Ram Plunger
34	SQ0196	Bushing Cover
35	SQ0197	Back-up Washer
36	SQ0198	U-Cup Seal
37	SQ0032	External Circlip 20.5mm ID.
38	SQ0199	Top Nut
39	RE91/10/07	O-Ring, (Ex: 36.81 In: 29.75 Cs: 3.53)
40	SQ0202	Wedge Ring

Item	Part No.	Description
41	SQ0201	Reservoir
42	SQ0203	Cylinder
43	SQ0204	Back-up Washer
44	AK453X.V3-P49	O-Ring, (Ex: 46.18 In: 40.94 Cs: 2.62)
45	1020LE.V3-34	Oil Seal
46	SQ0169	Base
47	SQ0042	Steel Ball
48	SQ0233	Release Valve Assembly
49	GSA08.09-4	O-Ring, (Ex: 11.21 In: 7.65 Cs: 1.78)
50	SQ0385	Steel Ball
51	SQ0113	Guard Screw
52	SQ0114	O-Ring, (Ex: 12.80 In: 8.08 Cs: 2.36)
53	SQ0115	Safety Valve Screw
54	SQ0116	Safety Valve Spring Dia 10.2mm
55	SQ0118	Ball Seat Valve
56	SQ0041	Steel Ball
57	SQ0384	Valve Screw
58	SQ0110	Back-up Washer
59	GSA08.09-4	O-Ring, (Ex: 11.21 In: 7.65 Cs: 1.78)
60	SQ0207	Taper Spring Dia 8.4mm
61	SQ0226	Pump piston (large)
62	SA29.V3-41	O-Ring, (Ex: 22.36 In: 17.12 Cs: 2.62)
63	SQ0229	Pump cylinder (large)
64	SQ0230	Copper Washer (28 x14 x 0.7)
65	SQ0223	Pump Core Spring (B) Dia 37.4mm
66	SQ0222	Spring Sleeve (B)
67	SQ0221	Spring Stop Plate (B)
68	SQ0220	Spring Stop Plate Ring (B)
69	SQ0212	Pump Piston (A)
70	SQ0213	Back-up Washer (for Pump 'A')
71	SA695.13	O-Ring, (Ex: 16.01 In: 10.77 Cs: 2.62)
72	SQ0215	Pump 'A'
73	SQ0216	Back-up Washer
74	SQ0217	O-Ring, (Ex: 26.24 In: 21.44 Cs: 2.40)
75	SQ0218	Copper Washer (25 x 10 x t0.7)
76	SQ0211	Pump Core Spring (A) Dia 33.5mm
77	SQ0210	Spring Sleeve (A)
78	SQ0209	Spring Stop Plate (A)
79	SQ0208	Spring Stop Plate Ring (A)
80	SQ0121	Filter

NOTE: It is our policy to continually improve products and as such we reserve the right to alter data, specifications and component parts without prior notice. There may be alternative versions of this product, please contact us should you require this information.

IMPORTANT: No liability is accepted for incorrect use of product. Spare parts must be fitted by a competent person

WARRANTY: Guarantee is 12 months from purchase date, proof of which will be required for any claim.

Sealey Group, Kempson Way, Suffolk Business Park, Bury St Edmunds, Suffolk. IP32 7AR



01284 757500



01284 703534



sales@sealey.co.uk



www.sealey.co.uk



Parts Information:
**Trolley Jack 3tonne Super Rocket Lift &
Axle Stands (Pair) 3tonne Capacity per
Stand-Hi-Vis**
Model No: 3015CXHV.V2

Item	Part No.	Description
81	SQ0206	Flat Washer (43 x 27 x 1.5)
82	SQ0149	Flat Washer (26 x 17 x t3)
83	SQ0016	Spring Washer
84	SQ0002	Bolt
85	SQ0107	Screw Cap
86	SQ0386	Throttle Valve
87	SQ0249	Spring
88	SQ0234	Handle Socket
89	SQ0235	Handle Socket Pin
90	SQ0236	Handle Socket Roller

Item	Part No.	Description
91	SQ0024	External Circlip 12.0mm ID.
92	SQ0358	Handle Socket Bolt (M12 x 13)
93	SQ0387	Upper Handle
94	SQ0160	Handle Lock Button
95	SQ0388	Lower Handle
96	SQ0128	Handle Grip
97	SQ0354	Handle Locking Block
98	SQ0132	Handle Sleeve
--	SQ0389	Hydraulic Unit for 3015CXHV.V2
--	SQ0390	Repair Kit for 3015CXHV.V2

NOTE: It is our policy to continually improve products and as such we reserve the right to alter data, specifications and component parts without prior notice. There may be alternative versions of this product, please contact us should you require this information.

IMPORTANT: No liability is accepted for incorrect use of product. Spare parts must be fitted by a competent person

WARRANTY: Guarantee is 12 months from purchase date, proof of which will be required for any claim.

Sealey Group, Kempson Way, Suffolk Business Park, Bury St Edmunds, Suffolk. IP32 7AR



01284 757500



01284 703534



sales@sealey.co.uk



www.sealey.co.uk