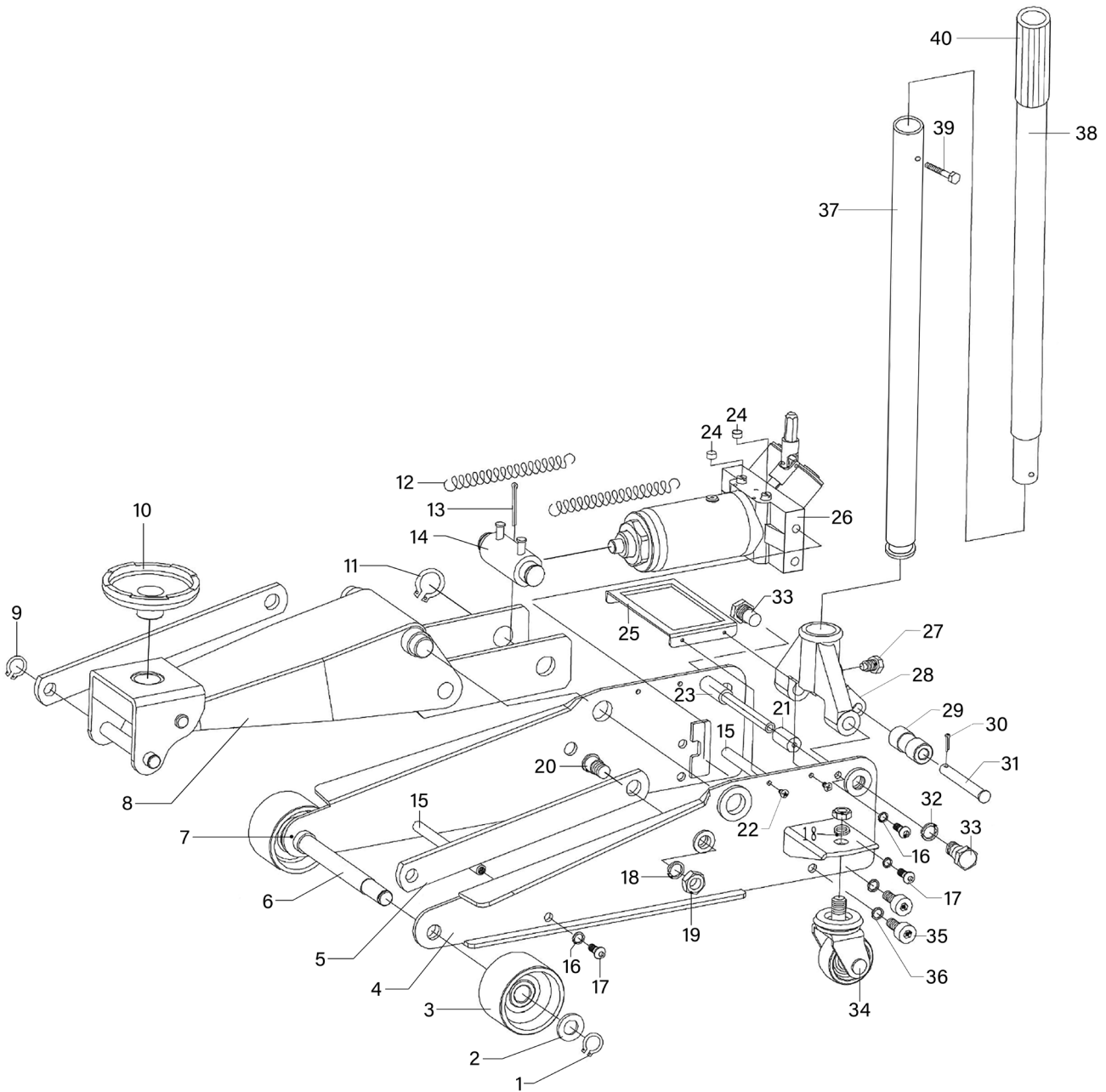




Parts Information:
Trolley Jack 3tonne Super Rocket Lift & Axle Stands (Pair) 3tonne Capacity per Stand-Hi-Vis
Model No: 3015CXHV



Item	Part No.	Description
1	3015CXD.01	External Circlip 16.3mm ID.
2	FWM18.S	Flat Washer M18 Zinc
3	3015CXDV2.03	Wheel, Front Fixed (black)(D:80 W:45 B:18)
4	3015CXHV.04	Side Member, Left (Hi-Vis)
5	3015CXDV2.05	Connecting Lever 'Black'
6	3015CXD.06	Front Wheel Shaft
7	3015CXHV.07	Side Member, Right (Hi-Vis)

Item	Part No.	Description
8	3015CXHV.08	Lifting Arm (Hi-Vis)
9	3015CXD.09	Retaining Ring (16mm)
10	3015CXD.10	Saddle, White Serrated (M) Ø 120mm (Shaft Ø 30mm)
11	3015CXD.11	External Circlip 23.00mm ID
12	3015CXD.12	Return Spring Dia 16mm
13	2050CX.V2-25	Cotter Pin 4 x 45

NOTE: It is our policy to continually improve products and as such we reserve the right to alter data, specifications and component parts without prior notice. There may be alternative versions of this product, please contact us should you require this information.

IMPORTANT: No liability is accepted for incorrect use of product. Spare parts must be fitted by a competent person

WARRANTY: Guarantee is 12 months from purchase date, proof of which will be required for any claim.

Sealey Group, Kempson Way, Suffolk Business Park, Bury St Edmunds, Suffolk. IP32 7AR



01284 757500



sales@sealey.co.uk



www.sealey.co.uk



Parts Information:
**Trolley Jack 3tonne Super Rocket Lift &
Axle Stands (Pair) 3tonne Capacity per
Stand-Hi-Vis**
Model No: 3015CXHV

Item	Part No.	Description
14	3015CXD.14	Connecting Block
15	3015CXD.15	Cross Bar
16	SWM8.S	Spring Washer M8 Zinc
17	BHSS816.S	Button Head Socket Screw M8 X 16 Zinc
18	SWM16.S	Spring Washer M16 Zinc
19	SN16.S	Steel Nut M16 Zinc
20	3015CXD.20	Connecting Bolt
21	3015CXD.21	Pressure Retain Ring
22	3015CXD.22	Screw C/s (M5x10)
23	3015CXD.23	Handle Socket Shaft
24	3015CXD.24	Safety Cap
25	3015CXDV2.25	Cover Plate 'Black'
26	3015CXDV2.26	Hydraulic Unit Assembly
27	3015CXD.27	Handle Socket Screw (M12)
28	3015CXDV2.28	Handle Socket 'Black'

Item	Part No.	Description
29	3015CXD.29	Idler Wheel
30	3015CXD.30	Cotter Pin 3.8 x 45
31	3015CXD.31	Idler Puller Pin
32	SWM18.S	Spring Washer M18 Zinc
33	3015CXD.33	Hand Pressure Bolt
34	3015CXDV2.34	Wheel, Swivel Castor, Single Bolt (D:60 W:24 B:10 H:112)
35	BHSS1025.S	Button Head Socket Screw M10 X 25 Zinc
36	SWM10.SB	Spring Washer M10 Black
37	3015CXD.37	Lower Jack Handle (Square) 16.4mm
38	2001LE.42	Upper Handle
39	SS635.S	Hex Head Set Screw M6 X 35 Zinc
40	3015CXD.40	Handle Grip
--	JP13	Safety Rubber Jack Pad - Type C (Not Shown)

NOTE: It is our policy to continually improve products and as such we reserve the right to alter data, specifications and component parts without prior notice. There may be alternative versions of this product, please contact us should you require this information.

IMPORTANT: No liability is accepted for incorrect use of product. Spare parts must be fitted by a competent person

WARRANTY: Guarantee is 12 months from purchase date, proof of which will be required for any claim.

Sealey Group, Kempson Way, Suffolk Business Park, Bury St Edmunds, Suffolk. IP32 7AR



01284 757500



sales@sealey.co.uk



www.sealey.co.uk