

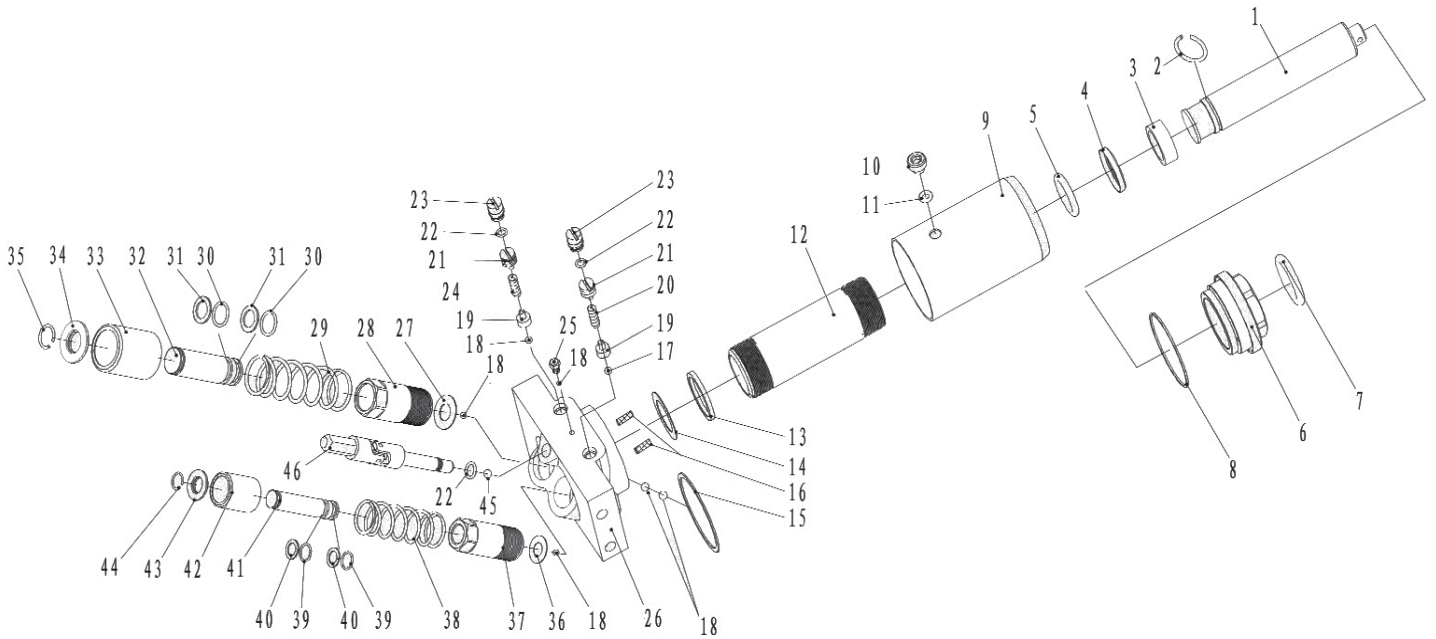
Item	Part No.	Description
1	3015CXD.01	Ext Circlip 20.2mm OD.
2	FWM18.S	Flat Washer M18 Single
3	3015CXDHV.03	Wheel,Front Fixed (80x17x46) (For Hi-Vis Version)
4	3015CXDHV.04	Side Member (Left) (For Hi-Vis Version)
5	3015CXD.05	Connecting Lever
6	3015CXD.06	Front Wheel Shaft
7	3015CXDHV.07	Side Member (Right) (For Hi-Vis Version)
8	3015CXDHV.08	Lift Arm (For Hi-Vis Version)
9	3015CXD.09	Retaining Ring (16mm)
10	3015CXD.10	Saddle
11	3015CXD.11	Ext Circlip 28.2mm OD.
12	3015CXD.12	Return Spring
13	3015CXD.13	Cotter Pin (4x45)
14	3015CXD.14	Connecting Block
15	3015CXD.15	Cross Bar
16	SWM8.S	Spring Washer M8 Zinc (Single)
17	BHSS816.S	Button Head Socket Screw M8x16 Zinc
18	SWM16.S	Spring Washer M16 Zinc (Single)
19	SN16.S	Steel Nut M16 Zinc DIN934 (Single)
20	3015CXD.20	Connecting Bolt

Item	Part No.	Description
21	3015CXD.21	Pressure Retain Ring
22	3015CXD.22	Screw C/S (M5x10)
23	3015CXD.23	Handle Socket Shaft
24	3015CXD.24	Safety Cap
25	3015CXDV2.25	Cover Plate 'Black'
26	3015CXDV2.26	Hydraulic Pump 'Black'
27	3015CXD.27	Handle Socket Screw (M12)
28	3015CXDV2.28	Handle Socket 'Black'
29	3015CXD.29	Idler Wheel
30	3015CXD.30	Cotter Pin (2.5x16)
31	3015CXD.31	Idler Puller Pin
32	SWM18.S	Spring Washer M18 Zinc (Single)
33	3015CXD.33	Hand Pressure Bolt
34	3015CXDHV.34	Wheel,Castor (60x10x24x85) (For Hi-Vis Version)
35	BHSS1025.S	Button Head Socket Screw M10x25 Zinc
36	SWM10.SB	Spring Washer M10 Black (Single)
37	3015CXD.37	Lower Handle
38	2001LE.42	Upper Handle
39	SS635.S	Hex Head Set Screw M6x35mm Single
40	3015CXD.40	Handle Grip

NOTE: It is our policy to continually improve products and as such we reserve the right to alter data, specifications and component parts without prior notice.

IMPORTANT: No liability is accepted for incorrect use of product.

WARRANTY: Guarantee is 12 months from purchase date, proof of which will be required for any claim.



Item	Part No.	Description
1	3015CXD.P01	Piston
2	3015CXD.P02	Snap Ring
3	3015CXD.P03	Pressure Ring
4	3015CXD.P04	Bowl Washer
5	3015CXD.P05	O-Ring (24.6x5.1)
6	3015CXD.P06	Top Cap
7	3015CXD.P07	O-Ring (29.6x3.5)
8	3015CXD.P08	Nylon Ring (66.8x61.5x1.5)
9	3015CXDV2.P09	Reservoir 'Black'
10	3015CXD.P10	Oil Filler Screw
11	3015CXD.P11	O-Ring (6.3mm)
12	3015CXD.P12	Oil Cylinder
13	3015CXD.P13	Bottom Cylinder Nylon Ring (43.3x29x0.7)
14	3015CXD.P14	Copper Packing (43x29x0.7)
15	3015CXD.P15	Nylon Ring (71x64x1.5)
16	3015CXD.P16	Strainer
17	SB-4.0	Steel Ball 4.0mm
18	SB-5.0	Steel Ball 5.0mm
19	3015CXD.P19	Ball Valve Seat
20	3015CXD.P20	Safety Valve Spring
21	3015CXD.P21	Pressure Adjusting Screw
22	3000LJ.V2-P20	O-Ring (8x1.8)
23	3015CXD.P23	Safety Valve Screw

Item	Part No.	Description
24	3015CXD.P24	Safety Valve Spring (Low)
25	3015CXD.P25	Hex Bolt (M6x12)
26	3015CXDV2.P26	Base Plate 'Black'
27	3015CXD.P27	Copper Packing (28x14x0.7)
28	3015CXD.P28	Pump Cylinder (Large)
29	3015CXD.P29	Tension Spring (Large)
30	3015CXD.P30	O-Ring (17.2x2.65)
31	3015CXD.P31	Split Washer
32	3015CXD.P32	Pump Core (Large)
33	3015CXD.P33	Pump Inner (Large)
34	3015CXD.P34	Spring Cover Plate (22mm)
35	3015CXD.P35	Retaining Ring (22mm)
36	3015CXD.P36	Copper Packing (25x14x0.7)
37	3015CXD.P37	Pump Cylinder (Small)
38	3015CXD.P38	Pump Spring (Small)
39	3015CXD.P39	O-Ring (10.2x2.65)
40	3015CXD.P40	Split Ring
41	3015CXD.P41	Pump Core (Small)
42	3015CXD.P42	Pump inner (Small)
43	3015CXD.P43	Spring Cover Plate (15mm)
44	3015CXD.P44	Retaining Ring (15mm)
45	SB-6.0	Steel Ball 6.0mm
46	3015CXD.P46	Discharge Valve Ass'y

NOTE: It is our policy to continually improve products and as such we reserve the right to alter data, specifications and component parts without prior notice.

IMPORTANT: No liability is accepted for incorrect use of product.

WARRANTY: Guarantee is 12 months from purchase date, proof of which will be required for any claim.