

Item	Part No.	Description
1	3015CXD.01	External Circlip 16.3mm ID.
2	FWM18.S	Flat Washer M18 Zinc
3	3015CXD.03	Wheel, Front Fixed (Red) (D:80 W:45 B:18)
4	3015CXD.04	Side Member (Left)
5	3015CXD.05	Connecting Lever
6	3015CXD.06	Front Wheel Shaft
7	3015CXD.07	Side Member (Right)
8	3015CXD.08	Lift Arm
9	3015CXD.09	Retaining Ring (16mm)
10	3015CXD.10	Saddle, White Serrated (M) Ø 120mm (Shaft Ø 30mm)

Item	Part No.	Description
11	3015CXD.11	External Circlip 23.00mm ID
12	3015CXD.12	Return Spring Dia 16mm
13	2050CX.V2-25	Cotter Pin 4.0 x 45
14	3015CXD.14	Connecting Block
15	3015CXD.15	Cross Bar
16	3015CXD.16	Spring Washer (8mm)
17	3015CXD.17	Hex Head Bolt (M8x15)
18	3015CXD.18	Spring Washer (16mm)
19	SN16.S	Steel Nut M16 Zinc

NOTE: It is our policy to continually improve products and as such we reserve the right to alter data, specifications and component parts without prior notice. There may be alternative versions of this product, please contact us should you require this information.

IMPORTANT: No liability is accepted for incorrect use of product. Spare parts must be fitted by a competent person

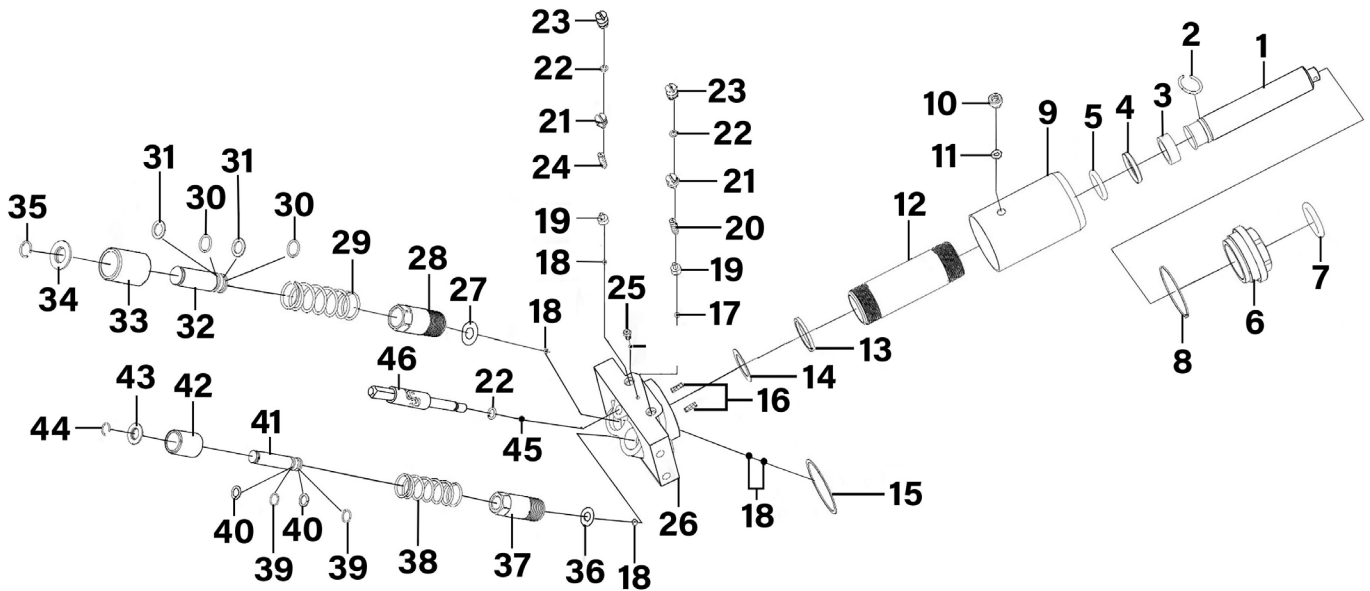
WARRANTY: Guarantee is 12 months from purchase date, proof of which will be required for any claim.



Parts Information: Trolley Jack 3tonne Super Rocket Lift Model No: 3015CXD

Item	Part No.	Description
20	3015CXD.20	Connecting Bolt
21	3015CXD.21	Pressure Retain Ring
22	3015CXD.22	Screw c/s (M5x10)
23	3015CXD.23	Handle Socket Shaft
24	3015CXD.24	Safety Cap
25	3015CXD.25	Cover Plate
26	3015CXD.26	Hydraulic Pump
27	3015CXD.27	Handle Socket Screw (M12)
28	3015CXD.28	Handle Socket
29	3015CXD.29	Idler Wheel
30	3015CXD.30	Cotter Pin 3.8 x 45
31	3015CXD.31	Idler Puller Pin

Item	Part No.	Description
32	3015CXD.32	Spring Washer (18mm)
33	3015CXD.33	Hand pressure Bolt
34	3015CXD.34	Wheel, Swivel Castor (16mm Thread)(D:60 W:25 B:10 H:111)
35	3015CXD.35	Hex Head Screw (M10x20)
36	SWM10.SB	Spring Washer M10 Black
37	3015CXD.37	Lower Jack Handle (Square) 16.4mm
38	2001LE.42	Upper Handle
39	SS635.S	Hex Head Set Screw M6 X 35 Zinc
40	3015CXD.40	Handle Grip
--	3015CXD.34A	Wheel, Swivel Castor (12mm thread)(D:60 W:25 B:10 H:111) (Not Shown)



Item	Part No.	Description
1	3015CXD.P01	Piston
2	3015CXD.P02	Snap Ring
3	3015CXD.P03	Pressure Ring
4	3015CXD.P04	Bowl Washer
5	3015CXD.P05	O-Ring, (Ex: 35.28 In: 24.62 Cs: 5.33)
6	3015CXD.P06	Top Cap
7	RE91/10.07	O-Ring, (Ex: 36.81 In: 29.75 Cs: 3.53)
8	3015CXD.P08	Nylon Ring (66.8x61.5x1.5)
9	3015CXD.P09	Reservoir
10	3015CXD.P10	Oil Filler Screw
11	WK025.V2-31	O-Ring, (Ex: 14.43 In: 9.19 Cs: 2.62)
12	3015CXD.P12	Oil Cylinder
13	3015CXD.P13	Bottom Cylinder Nylon Ring (43.3x41x3.5)

Item	Part No.	Description
14	3015CXD.P14	Copper Packing (43x27x0.7)
15	3015CXD.P15	Nylon Ring (71x64x1.5)
16	3015CXD.P16	Strainer
17	SB-4.0	Steel Ball 4mm
18	SB-5.0	Steel Ball 5mm
19	3015CXD.P19	Ball Valve Seat
20	3015CXD.P20	Safety Valve Spring
21	3015CXD.P21	Pressure Adjusting Screw
22	GSA08.09-4	O-Ring (Ex: 11.21 In: 7.65 Cs: 1.78)
23	3015CXD.P23	Safety Valve Screw
24	3015CXD.P24	Safety Valve Spring (Low)
25	3015CXD.P25	Hex Bolt (M6x12)

NOTE: It is our policy to continually improve products and as such we reserve the right to alter data, specifications and component parts without prior notice. There may be alternative versions of this product, please contact us should you require this information.

IMPORTANT: No liability is accepted for incorrect use of product. Spare parts must be fitted by a competent person

WARRANTY: Guarantee is 12 months from purchase date, proof of which will be required for any claim.

Sealey Group, Kempson Way, Suffolk Business Park, Bury St Edmunds, Suffolk. IP32 7AR



01284 757500



sales@sealey.co.uk



www.sealey.co.uk



Parts Information:
Trolley Jack 3tonne Super Rocket Lift
Model No: 3015CXD

Item	Part No.	Description
26	3015CXD.P26	Base Plate
27	3015CXD.P27	Copper Packing (28x14x0.7)
28	3015CXD.P28	Pump Cylinder (Large)
29	3015CXD.P29	Tension Spring (Large)
30	SA29.V3-41	O-Ring, (Ex: 22.36 In; 17.12 Cs: 2.62)
31	3015CXD.P31	Split Washer
32	3015CXD.P32	Pump Core (Large)
33	3015CXD.P33	Pump Inner (Large)
34	3015CXD.P34	Spring Cover Plate (22mm)
35	3015CXD.P35	Retaining Ring (22mm)
36	3015CXD.P36	Copper Packing (25x14x0.7)
37	3015CXD.P37	Pump Cylinder (Small)

Item	Part No.	Description
38	3015CXD.P38	Pump Spring (Small)
39	SA695.13	O-Ring, (Ex: 16.01 In; 10.77 Cs: 2.62)
40	3015CXD.P40	Split Ring
41	3015CXD.P41	Pump Core (Small)
42	3015CXD.P42	Pump Liner (Small)
43	3015CXD.P43	Spring Cover Plate (15mm)
44	3015CXD.P44	Retaining Ring (15mm)
45	SB-6.0	Steel Ball 6mm
46	3015CXD.P46	Discharge Valve Ass'y
--	3015CXD.P41A	Pump Core Ass'y (inc 39,41,43) (Small) (Not Shown)

NOTE: It is our policy to continually improve products and as such we reserve the right to alter data, specifications and component parts without prior notice. There may be alternative versions of this product, please contact us should you require this information.

IMPORTANT: No liability is accepted for incorrect use of product. Spare parts must be fitted by a competent person

WARRANTY: Guarantee is 12 months from purchase date, proof of which will be required for any claim.

Sealey Group, Kempson Way, Suffolk Business Park, Bury St Edmunds, Suffolk. IP32 7AR



01284 757500



sales@sealey.co.uk



www.sealey.co.uk